



RW404262



RA050220:

Carbon airfilter

RA097600:

SbS Installation kit for RW404 and RW402

### Built-in wine cooler 200 series

82 x 60 cm

[RW404262](#)

2 independently controllable climate zones  
Consistent temperatures with exact control from +5 °C to +20 °C  
Humidity control  
Extendable bottle trays in beech and aluminium  
LED lighting  
Cushioned door closing system allowing a soft and controlled door closure  
Lockable door  
Number of standard wine bottles: 34  
Side-by-side installation possible with special accessory

#### Handling

Electronic temperature control with digital display.  
Touch keys.  
Presentation light option in each climate zone, dimmable.  
Interior LED lighting (3000 K) with automatic dimming with opening and closing of door.

#### Technical features

Dynamic cold air distribution.  
Automatic defrosting with defrost water evaporation.  
Cushioned door closing system integrated in door hinge.  
1 activated charcoal air filter for both climate zones.  
UV-protection.  
Open-door and malfunction alarm.  
Dust filter, dishwasher-safe.

#### Features

Capacity 34 bottles (based on 0.75 l standard bottles).  
5 bottle trays, 3 of which are extendable.  
Storage of magnum bottles possible.  
LED lighting.  
Total volume 94 litres.

#### Consumption data

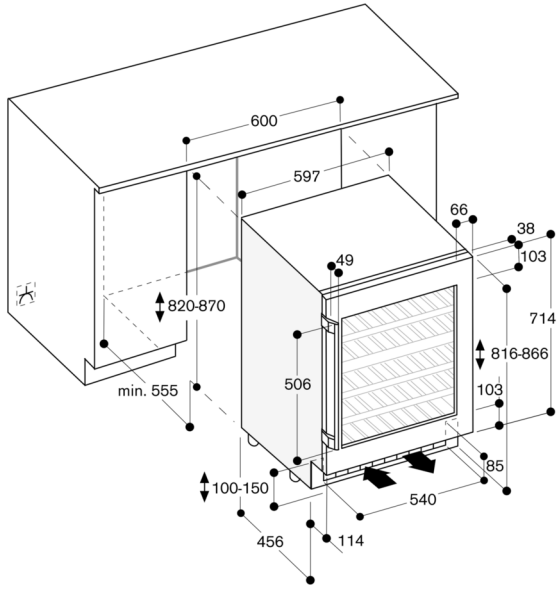
Energy efficiency class G at a range of energy efficiency classes from A to G.  
Energy consumption 146 kWh/year.  
Noise level 35 dB (A) re 1 pW.

#### Planning notes

Flat hinge.  
Door hinge right, reversible.  
Height-adjustable feet.  
Door opening angle 115°, fixable at 95°.  
For integration next to a side wall a clearance of 150 mm hinge side is necessary.  
The mains socket needs to be planned outside the built-in niche.  
No transport/operation above 1500 m sea level.

#### Connection

Total connected load 0.130 KW.  
Connecting cable 2.0 m with plug.



**Bottle storage**

