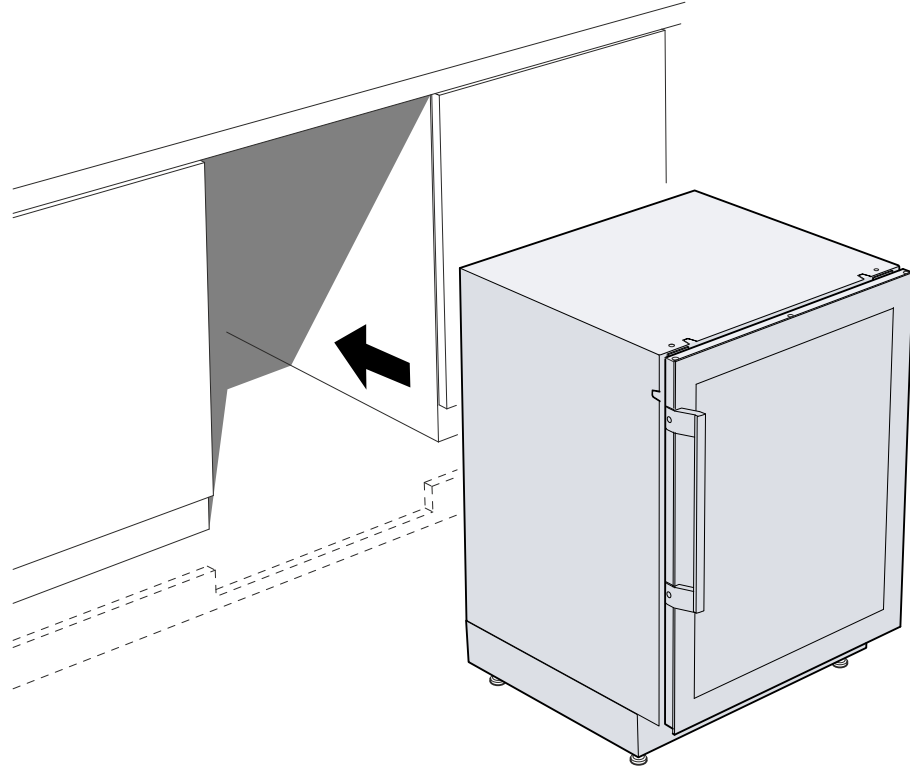




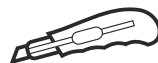
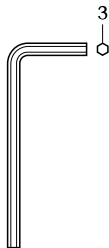
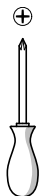
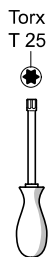
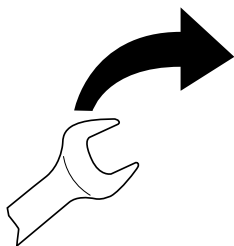
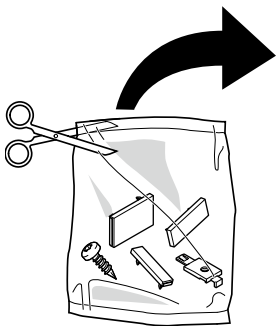
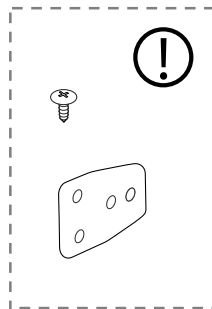
9001581603 (020718)

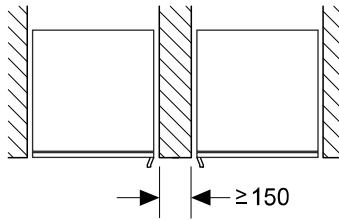
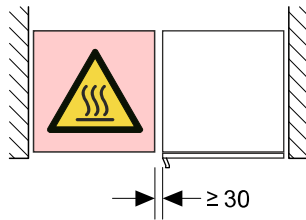
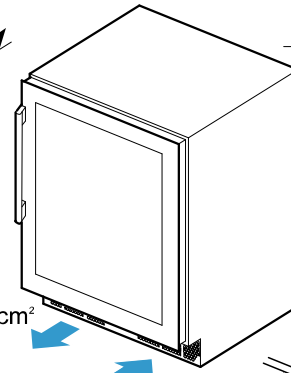
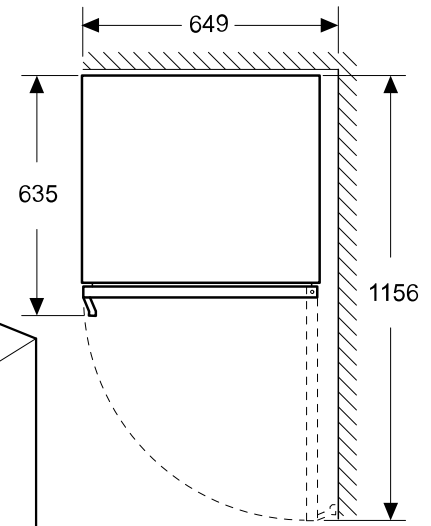
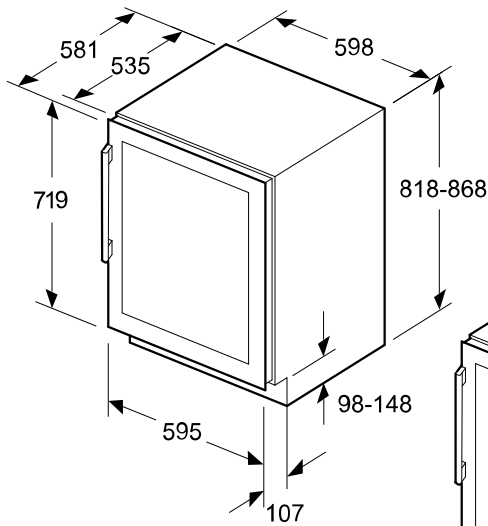
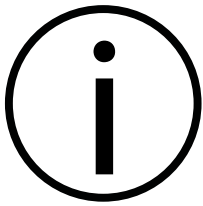


mm



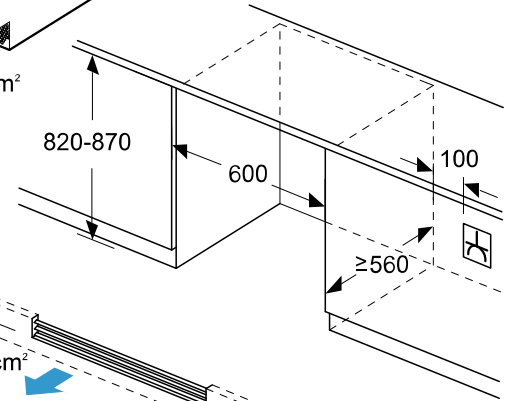
T25





$\geq 80\text{cm}^2$

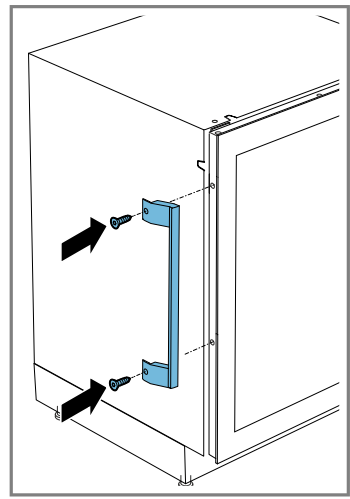
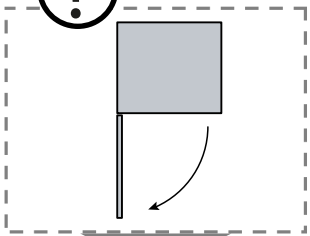
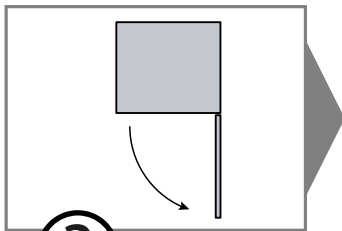
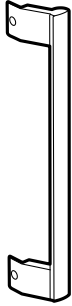
$\geq 80\text{cm}^2$



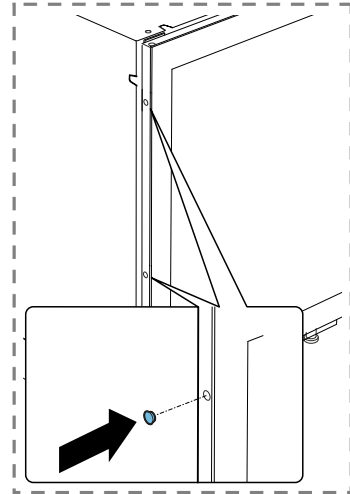
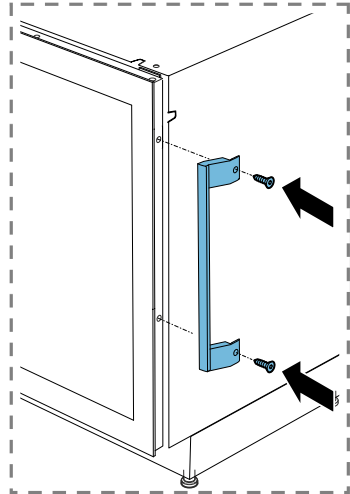
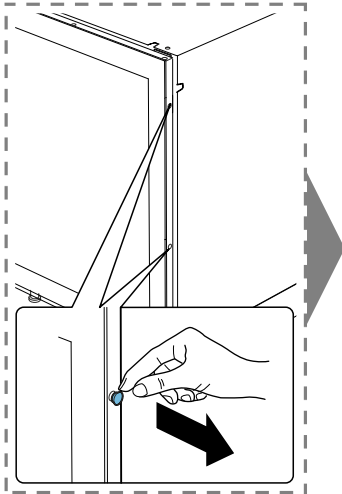
$\geq 80\text{cm}^2$

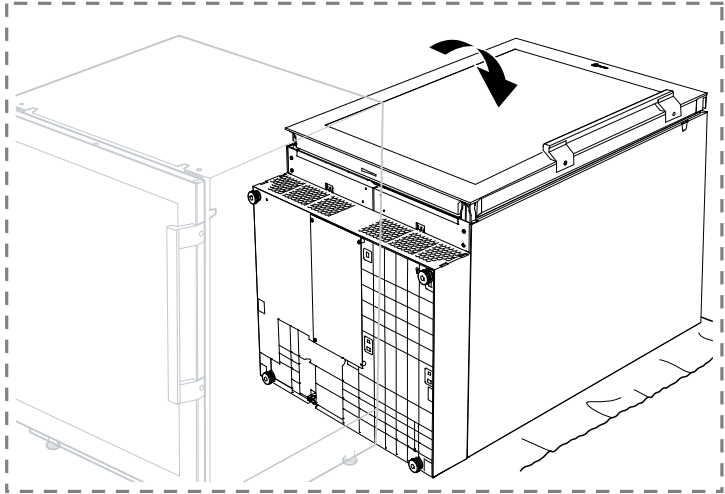
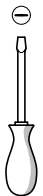
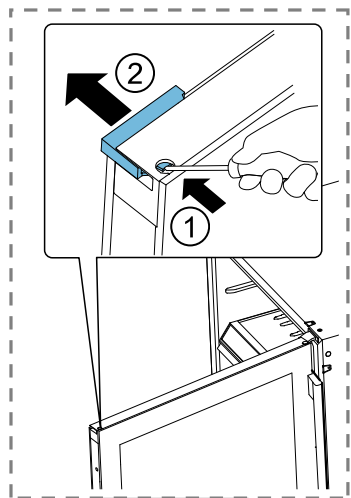
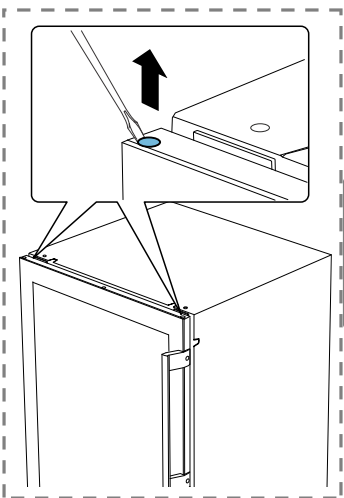
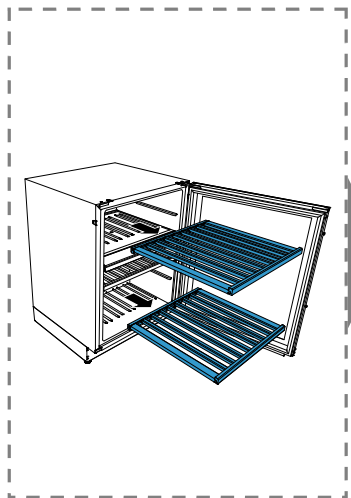
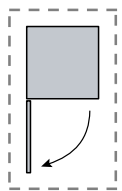
$\geq 80\text{cm}^2$

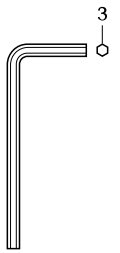
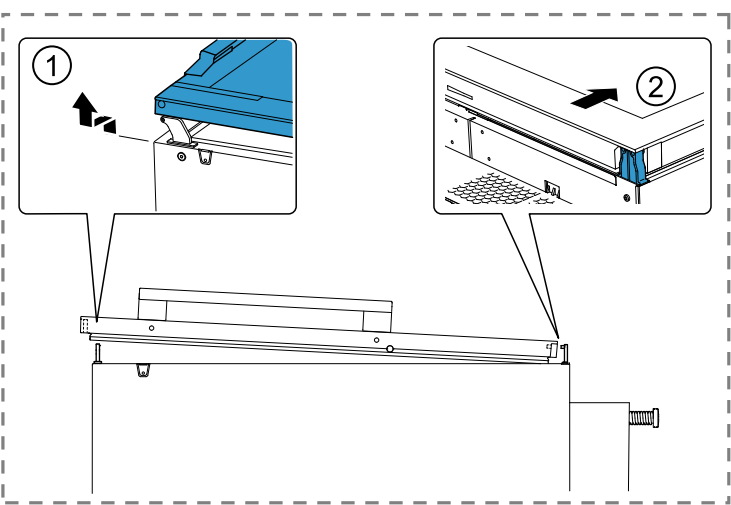
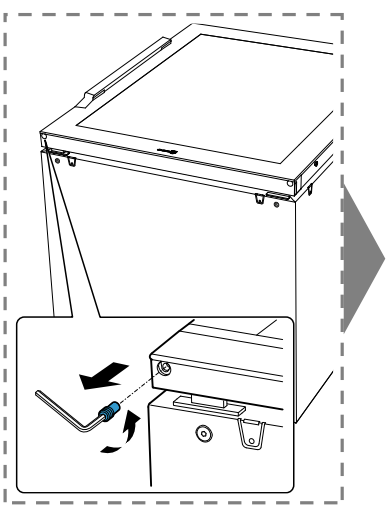
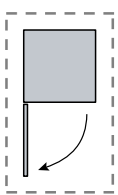
T25

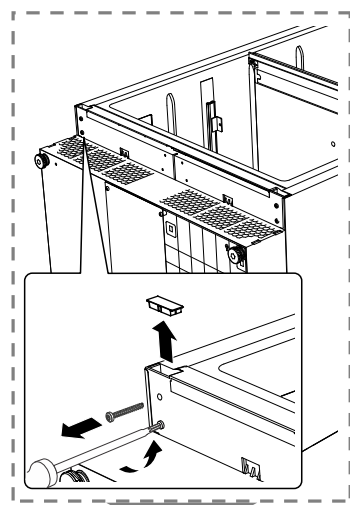
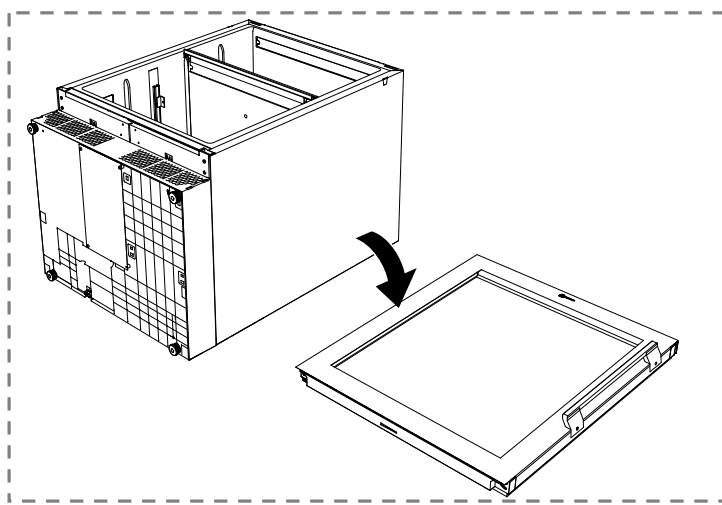
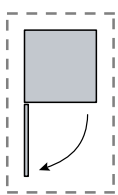


Torx
T 25

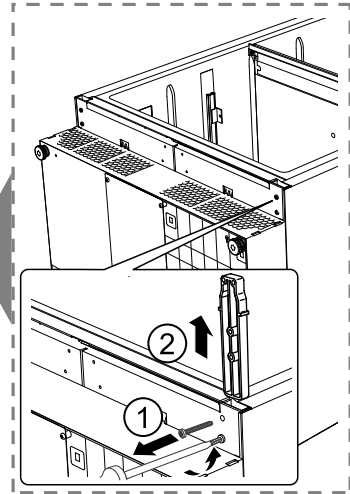
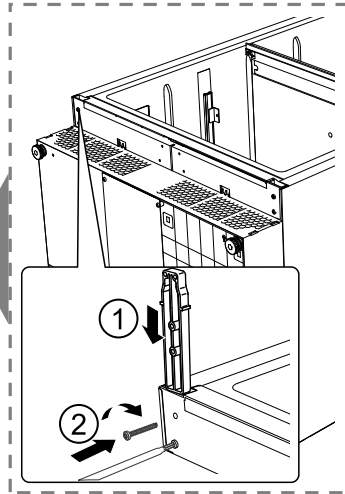
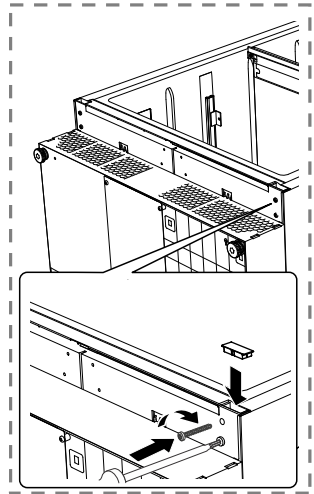


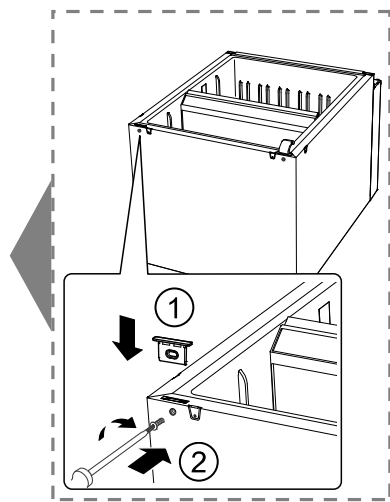
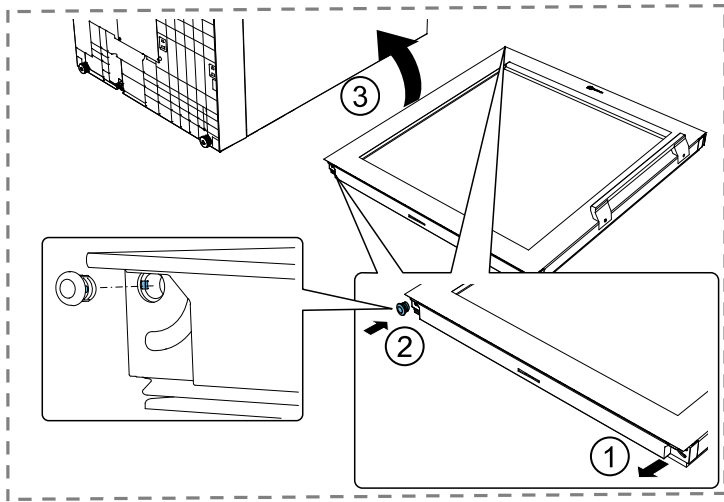
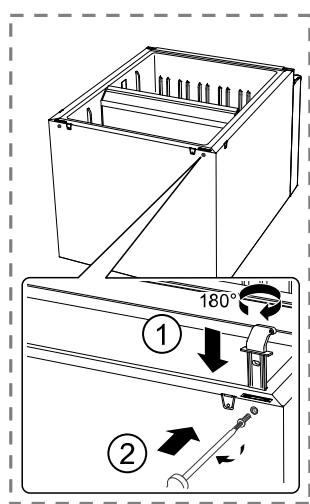
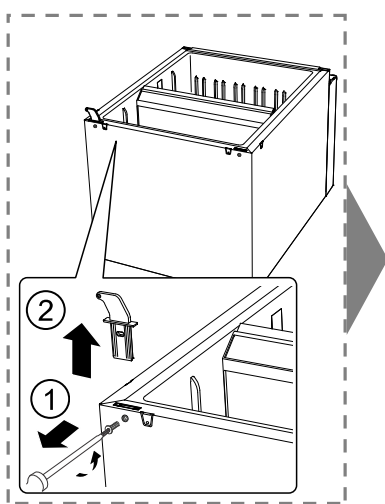
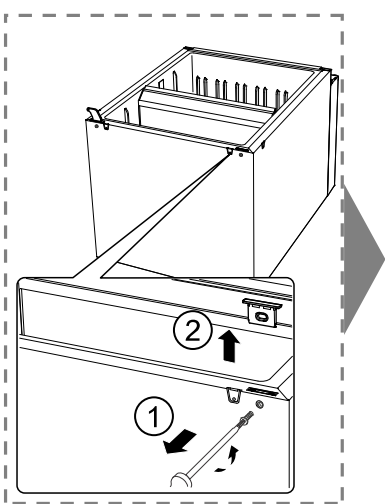
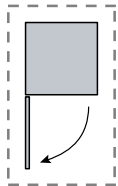






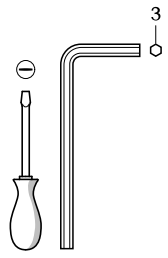
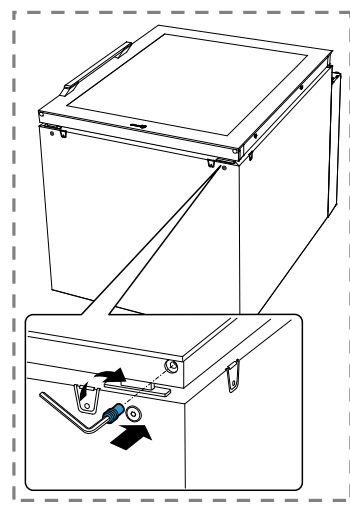
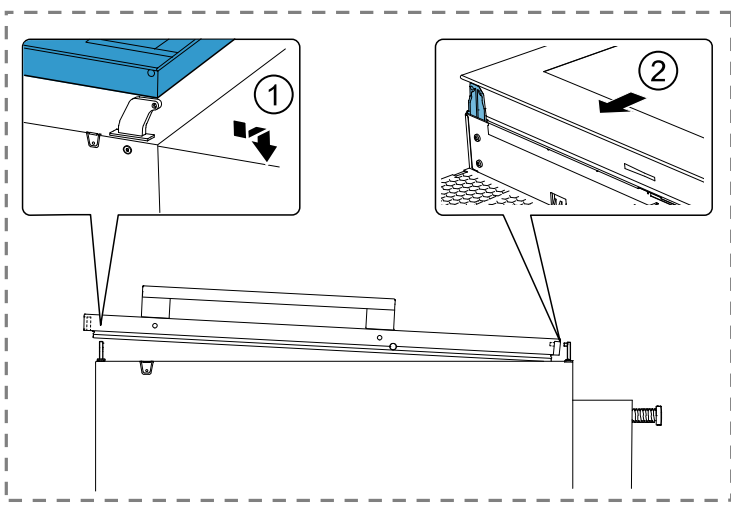
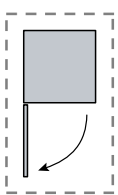
Torx
T 20

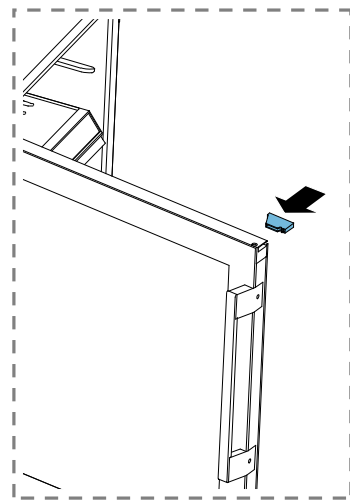
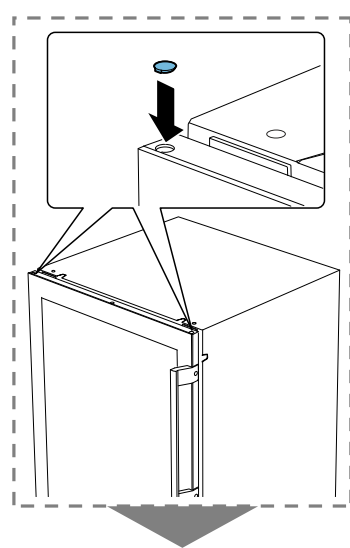
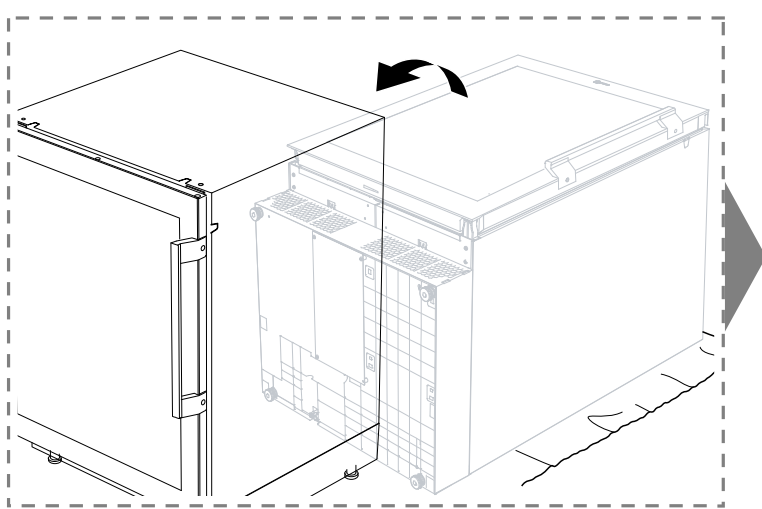
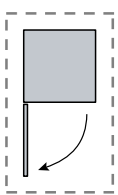


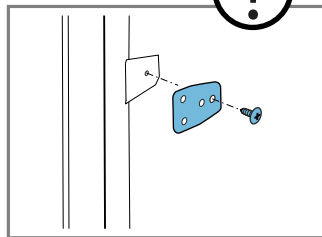
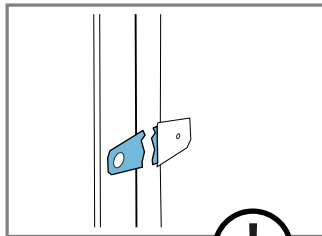
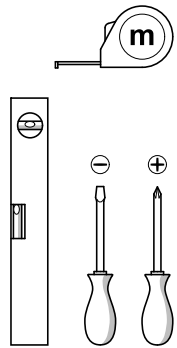
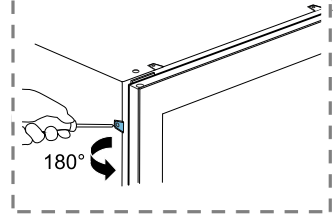
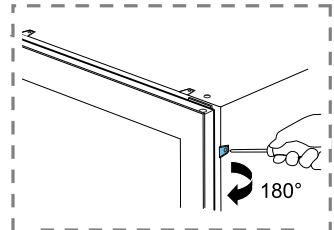
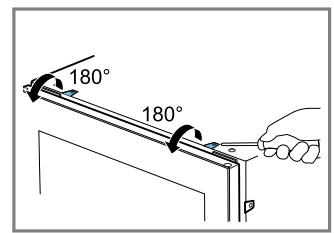
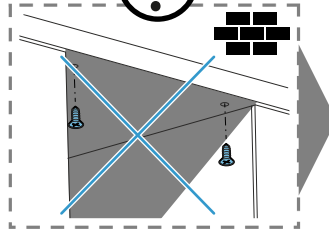
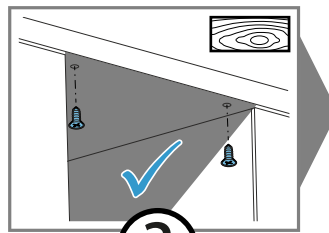
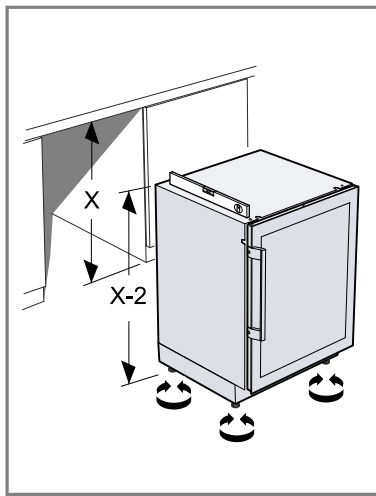
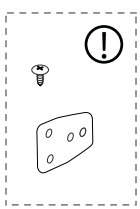


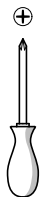
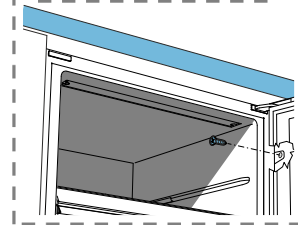
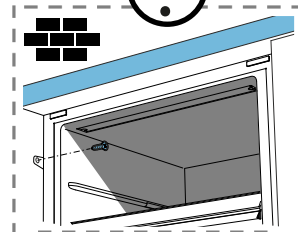
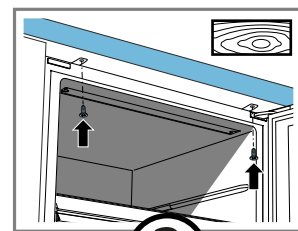
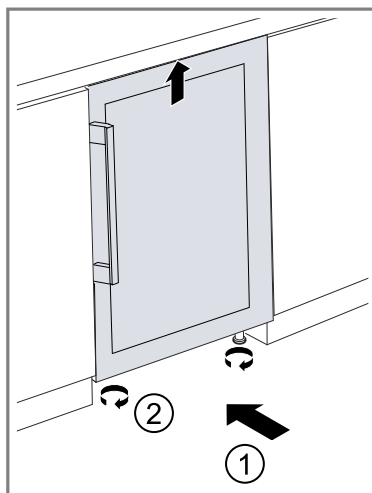
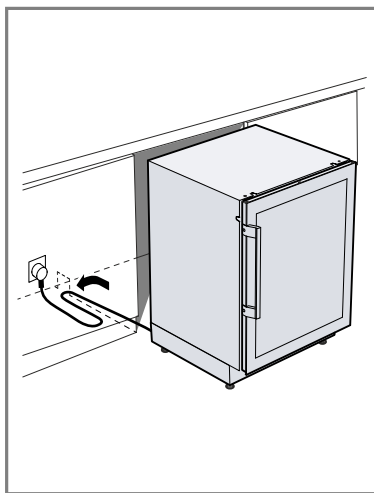
Torx
T 25

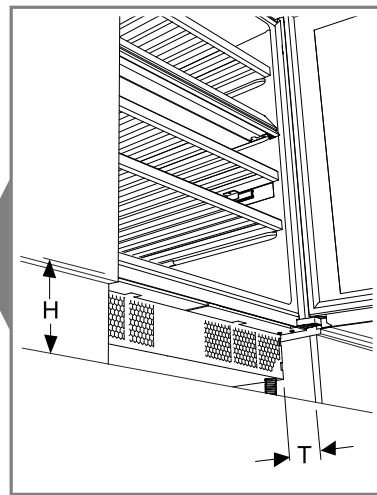
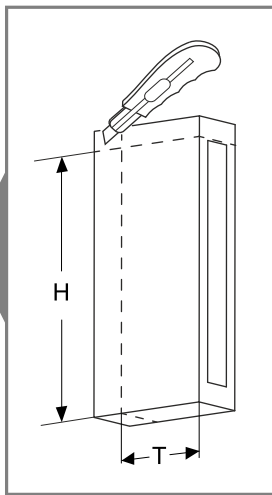
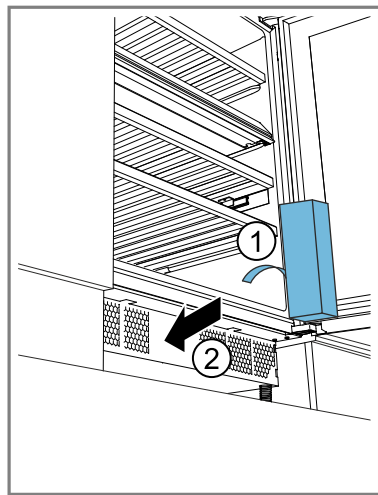
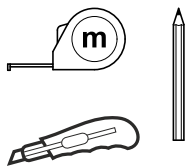
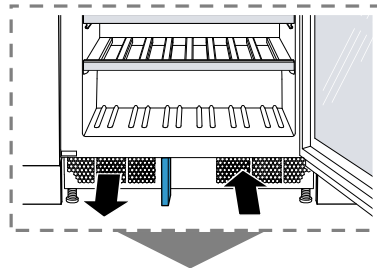
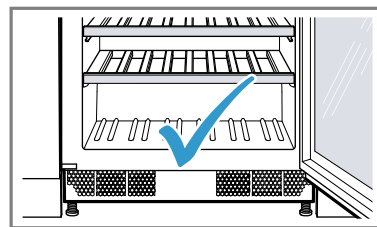
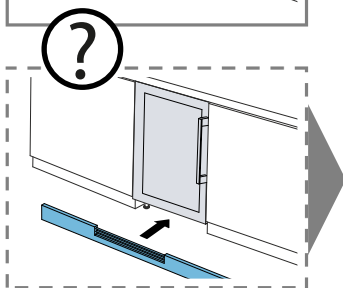
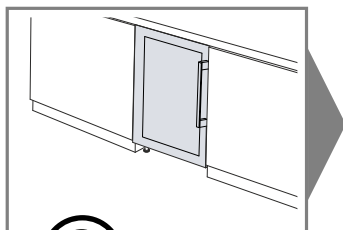
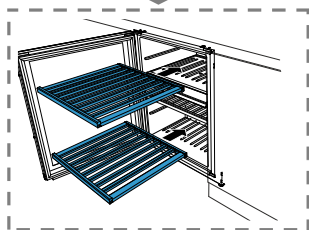
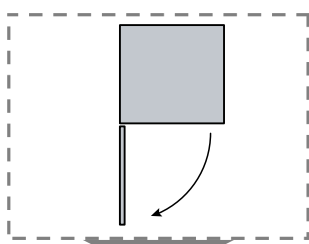














A vertical line on the left side of the page, followed by 20 horizontal lines, creating a ruled writing area.

