

RF463306

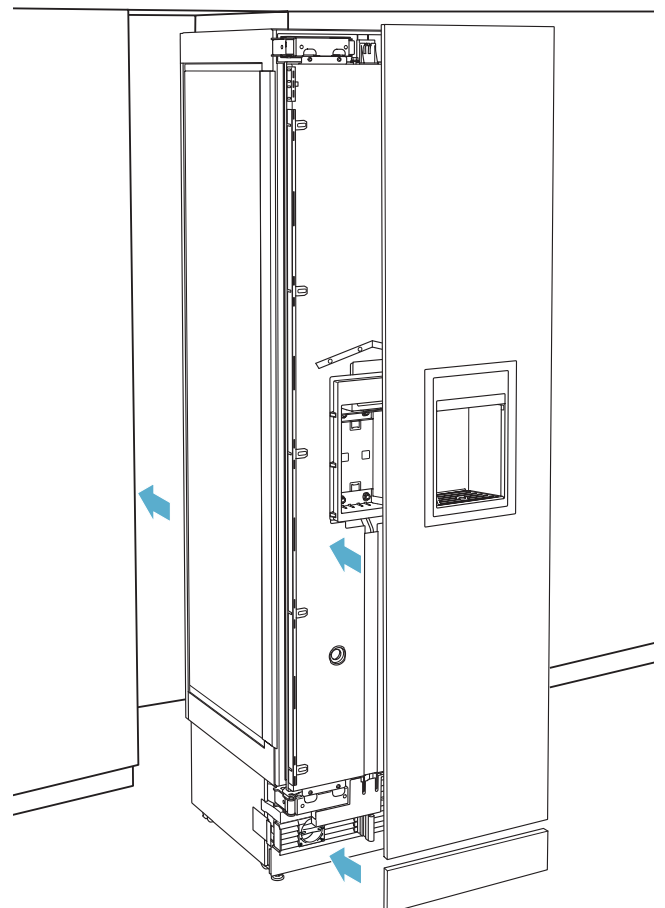
RF463307

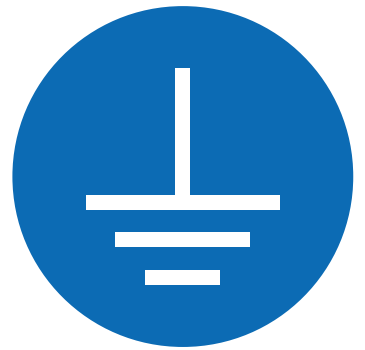
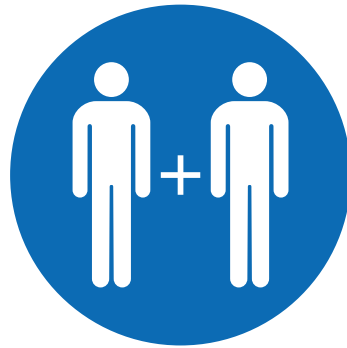
RF463505

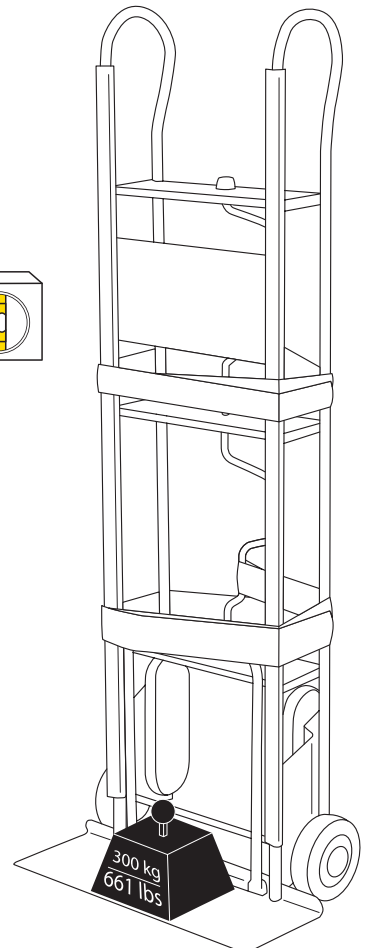
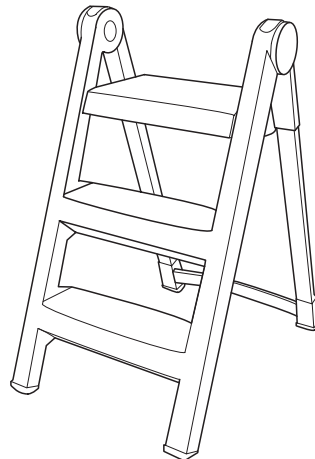
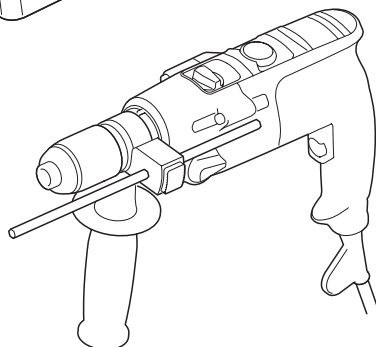
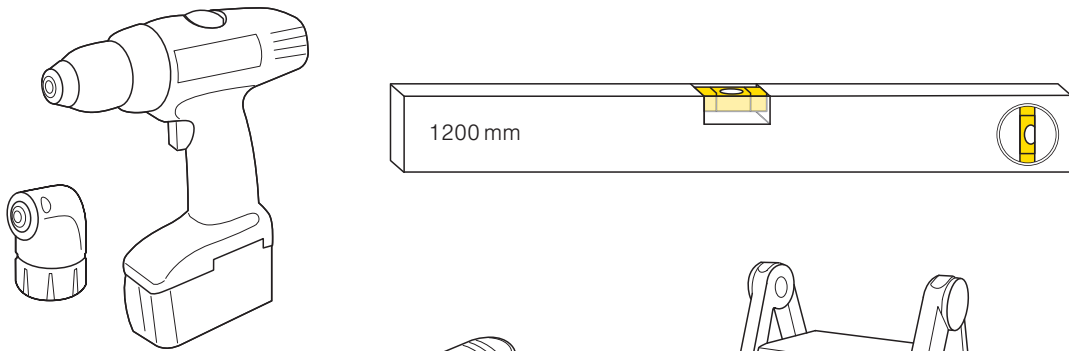
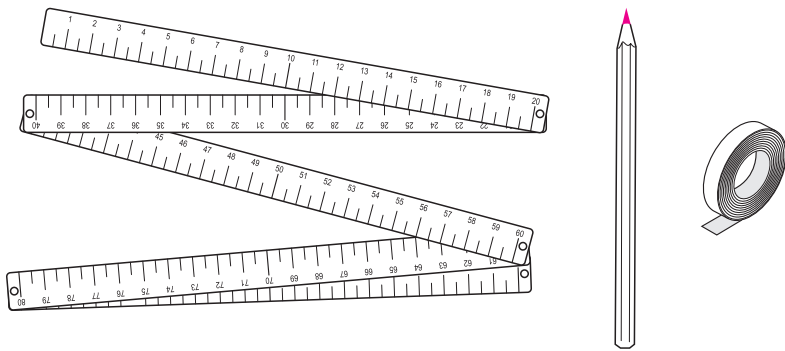
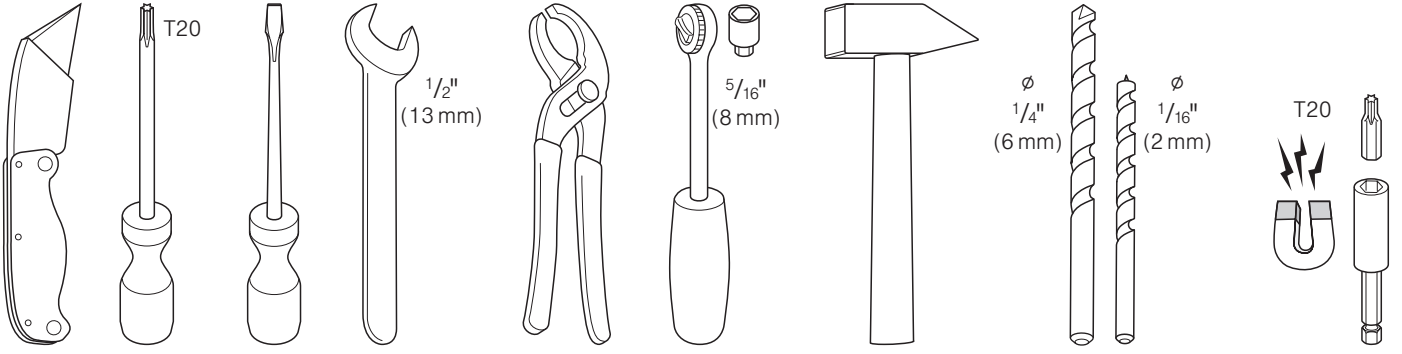
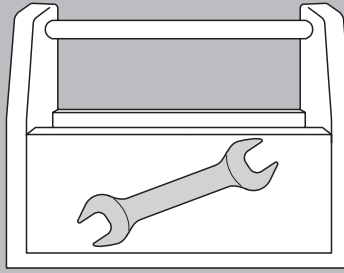
RF463304

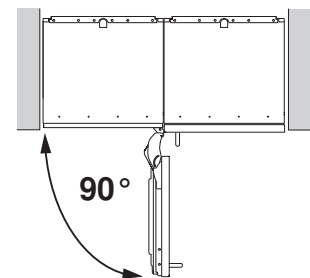
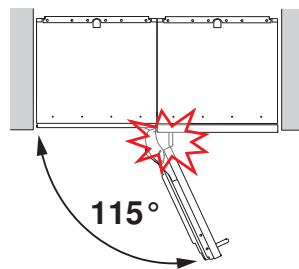
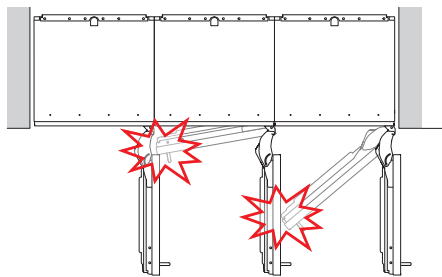
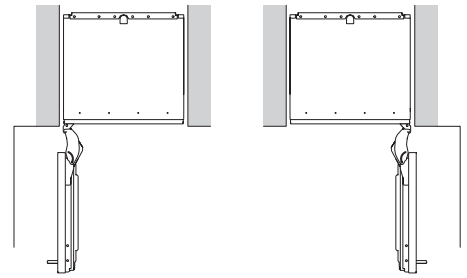
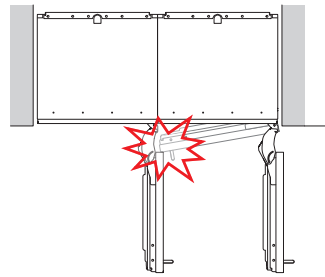
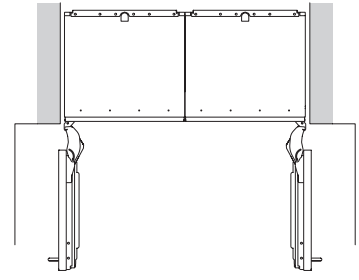
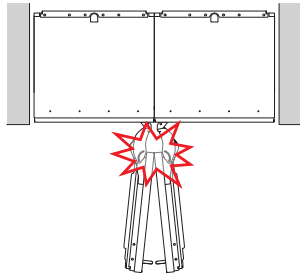
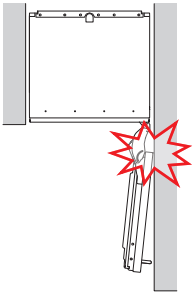
RF463305

RF463905



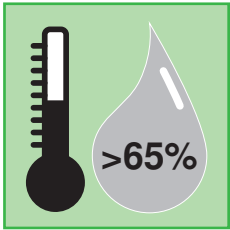




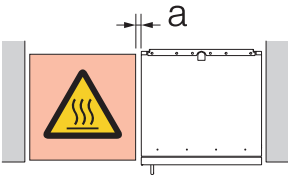




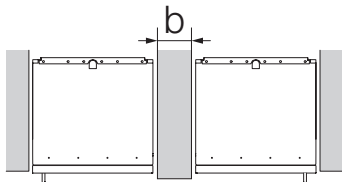
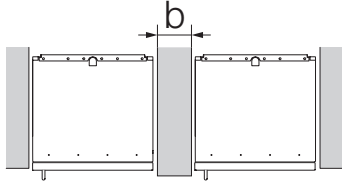
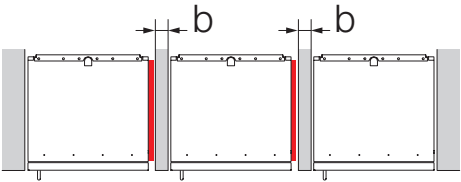
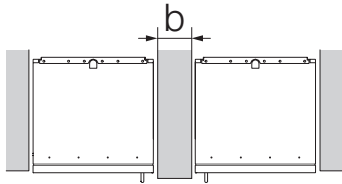
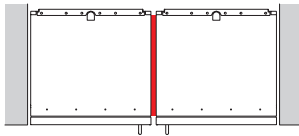
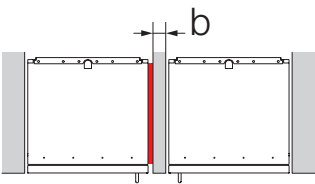
$\frac{5}{8}'' \leq b < 6\frac{1}{4}''$
(16 mm \leq b < 160 mm)

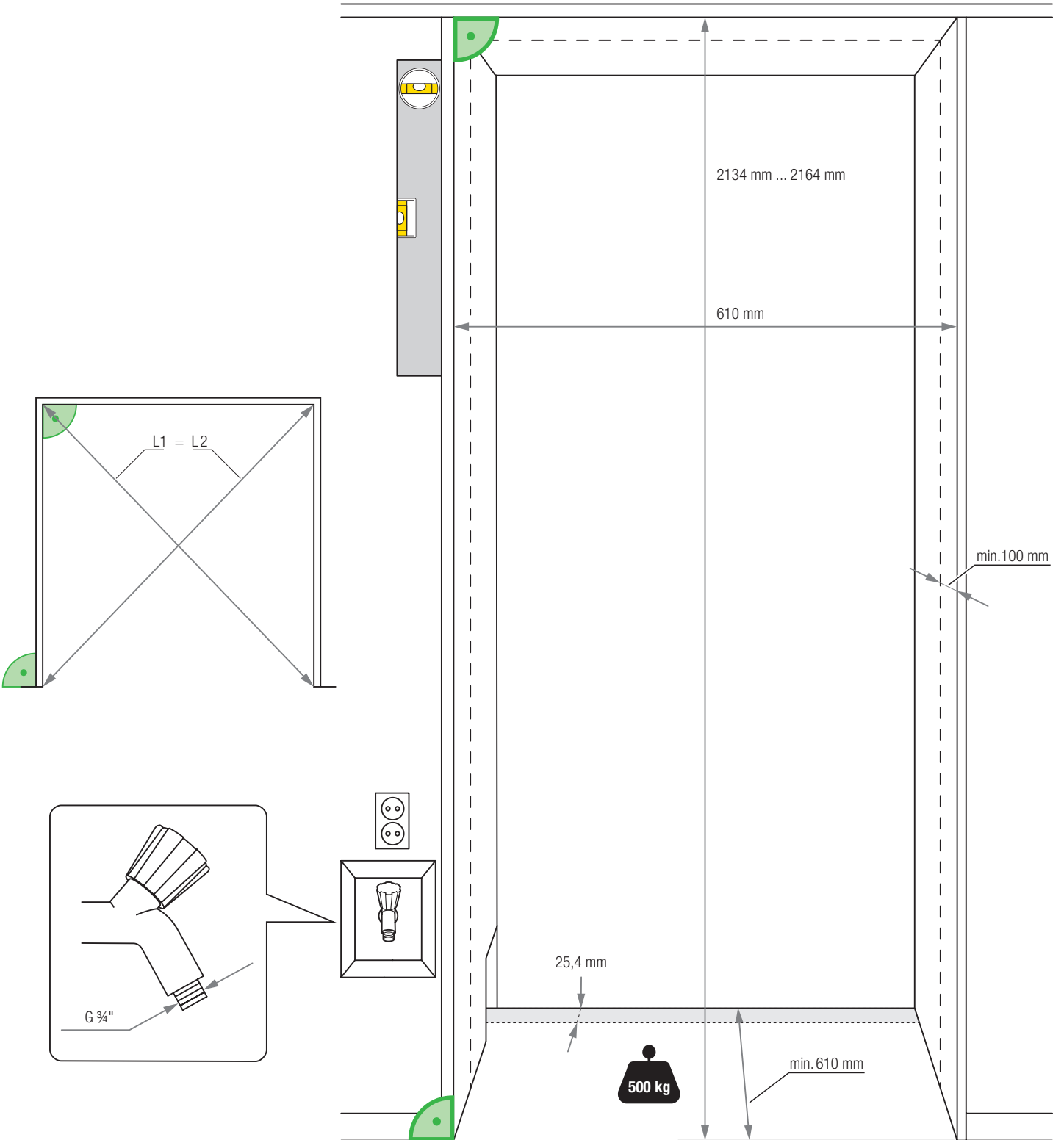


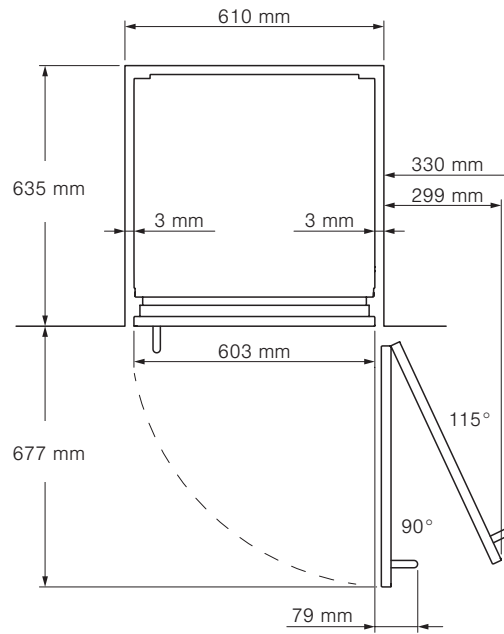
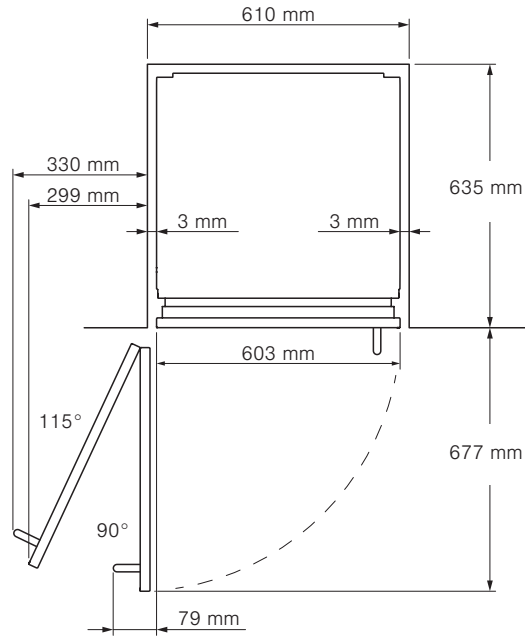
$a \geq 1\frac{3}{16}''$
(a \geq 30 mm)

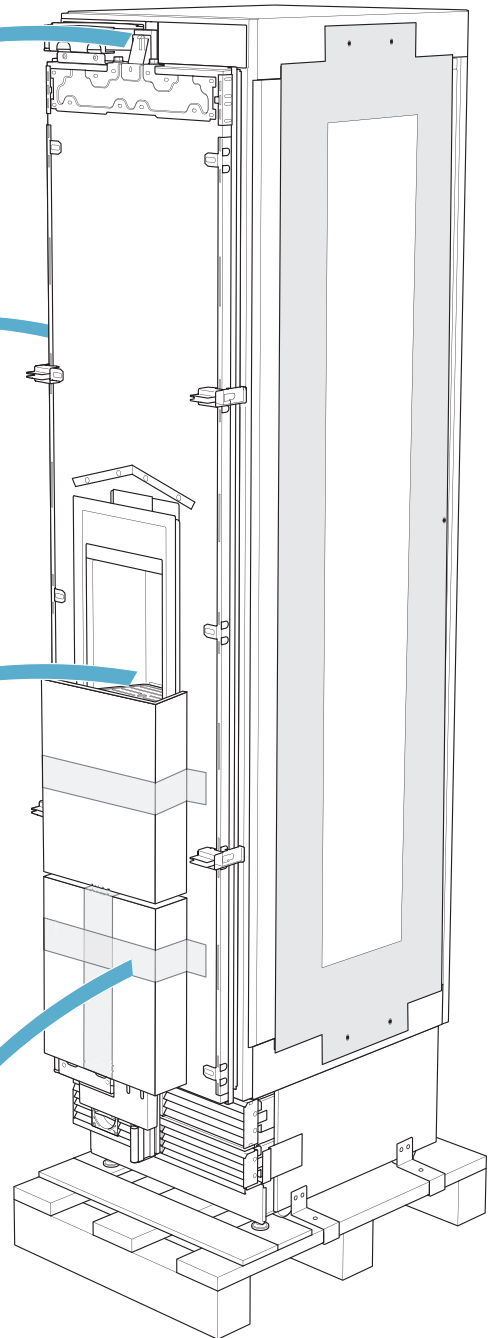
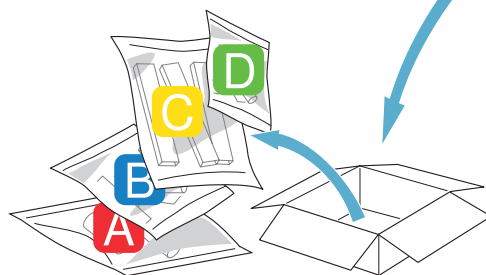
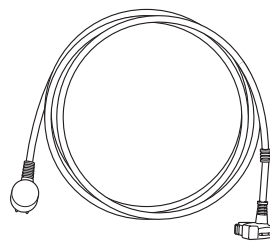
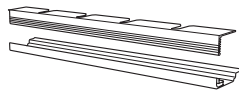
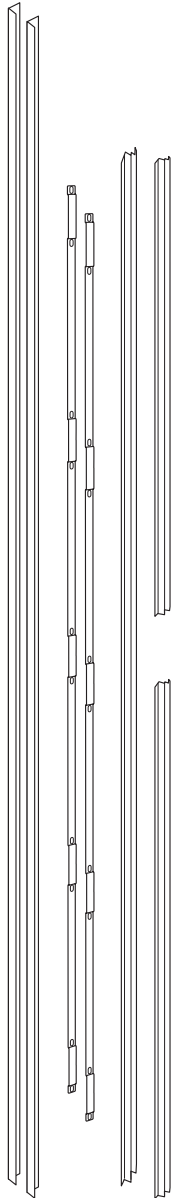
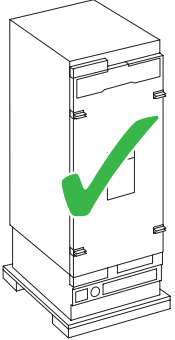
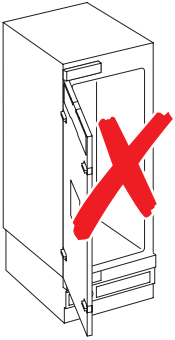
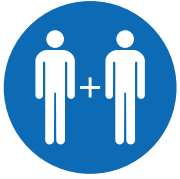


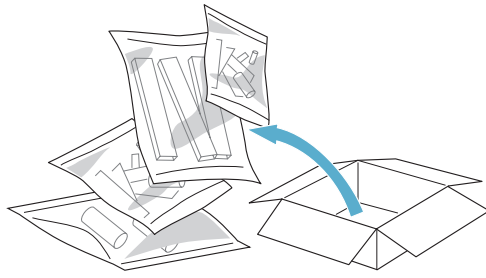
$b \geq 6\frac{1}{4}''$
 $b \geq 160$ mm




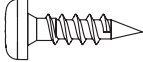


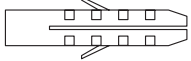


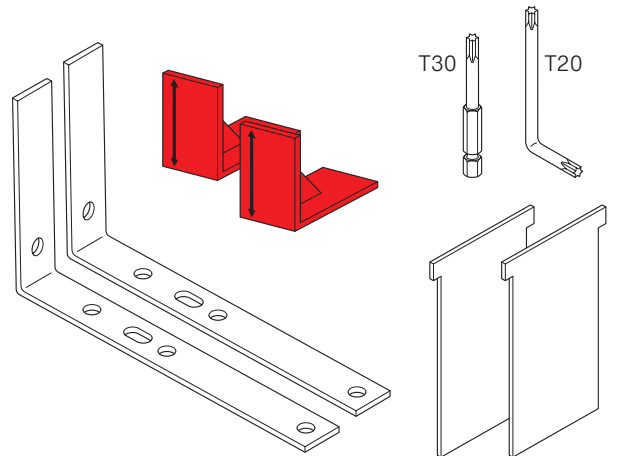



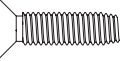


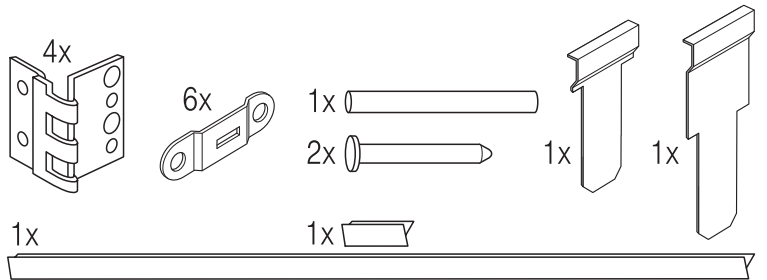


A


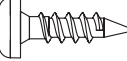
4x15			6x
5x60			4x
6x31			4x






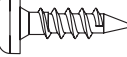
M5x16			28x
-------	---	---	-----

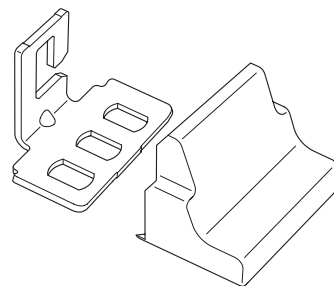


B

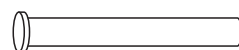
4x15			8x
------	---	---	----

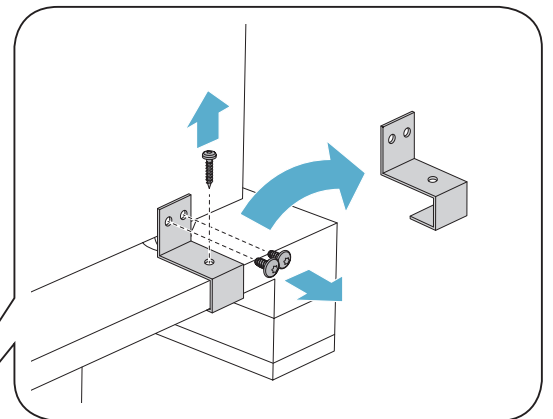
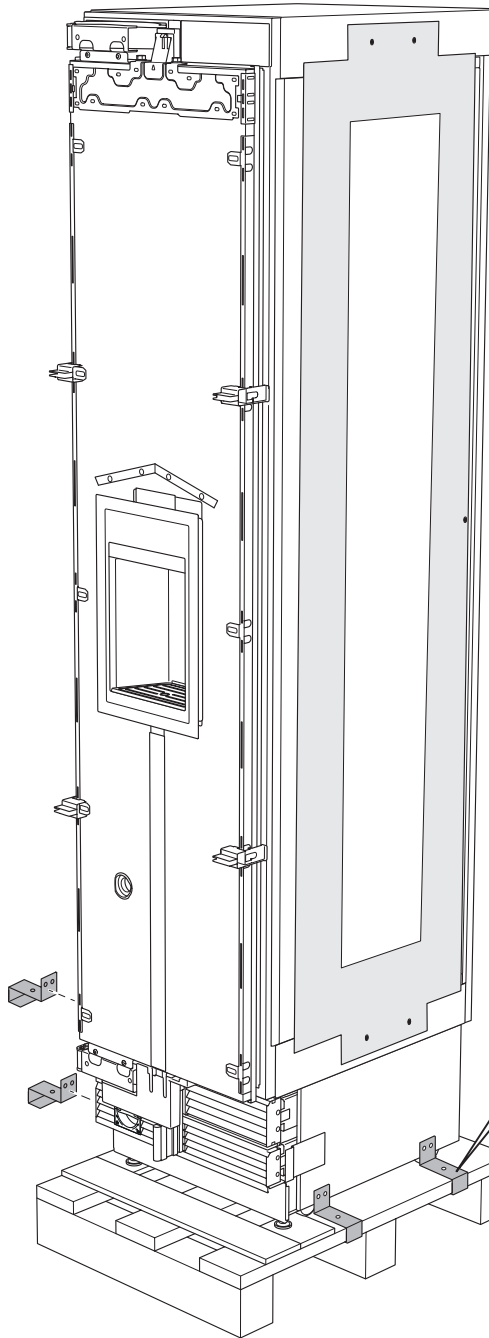
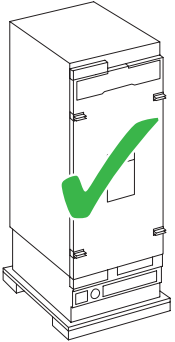
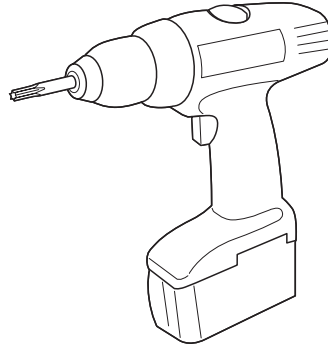
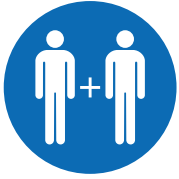
C

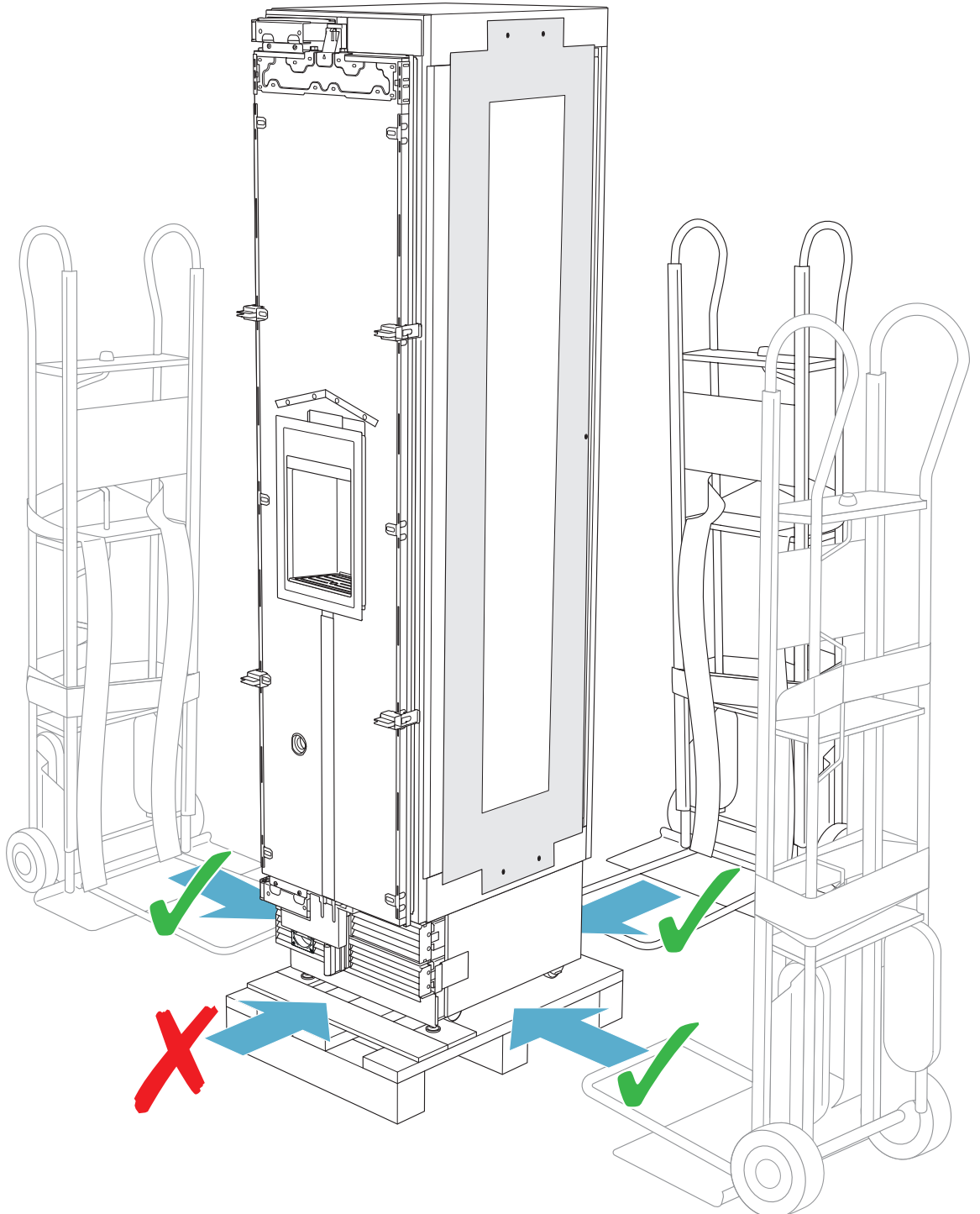
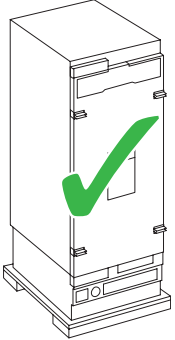
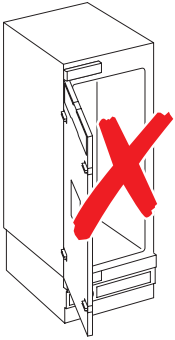
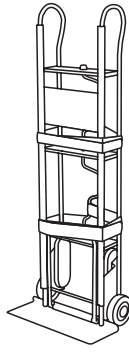
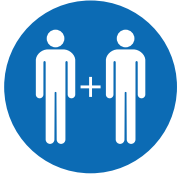
4x15			32x
4x15			2x

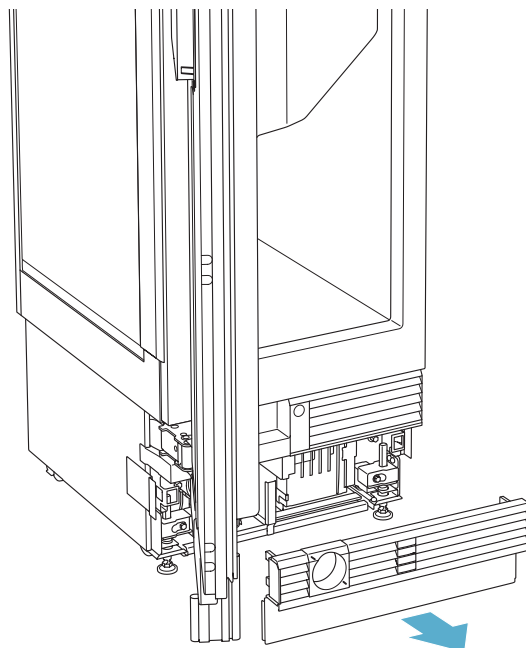
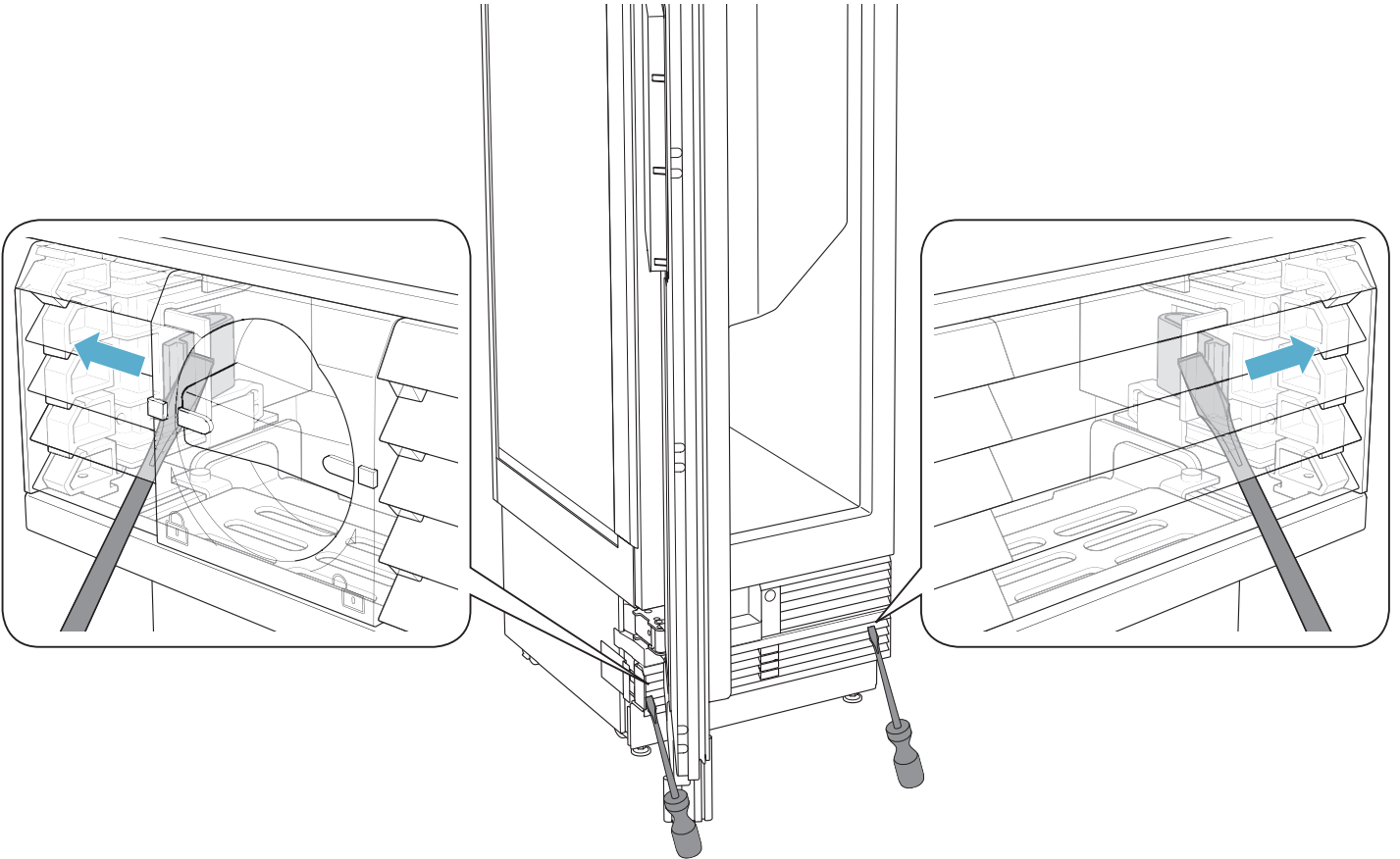
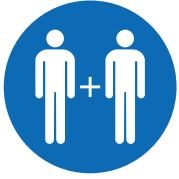


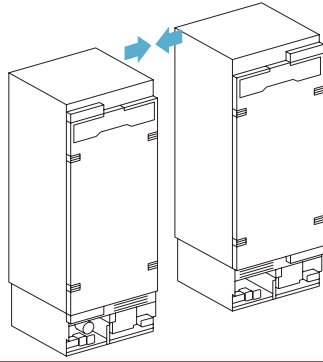
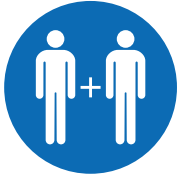
D



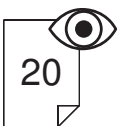
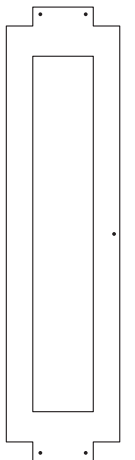
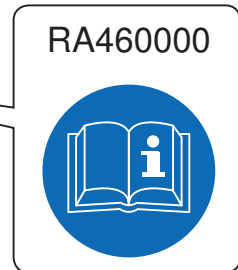
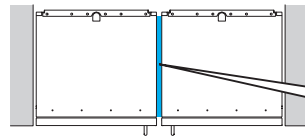
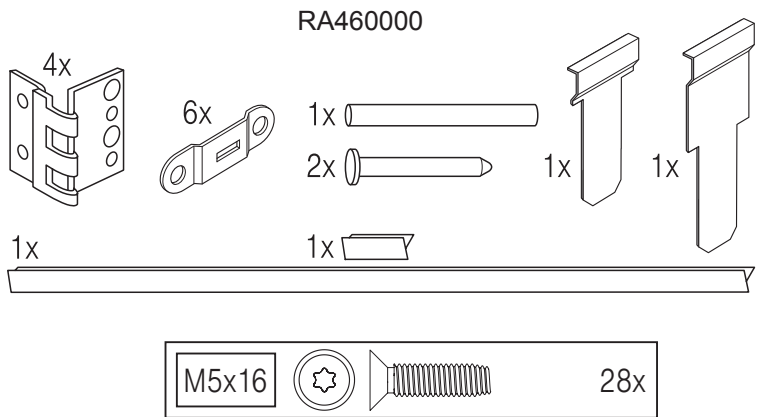
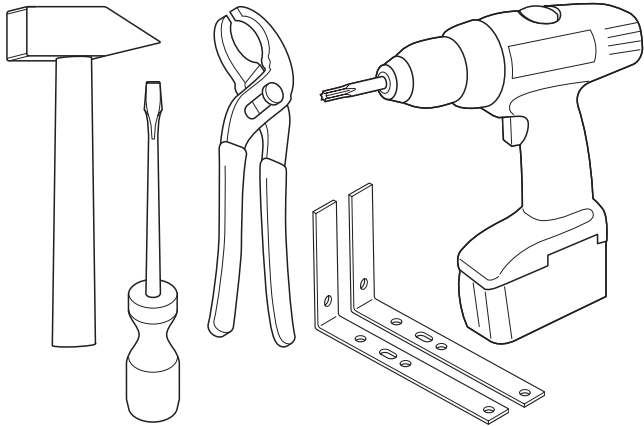




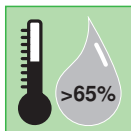
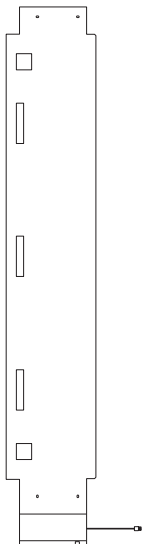
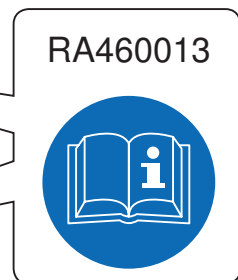
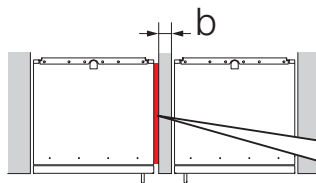




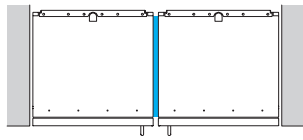
A
B
C
D



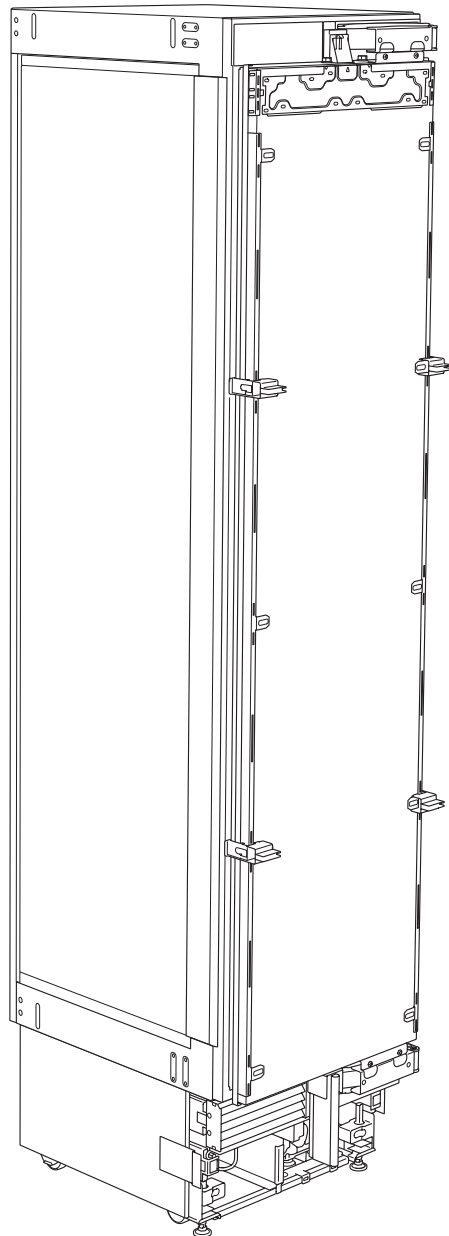
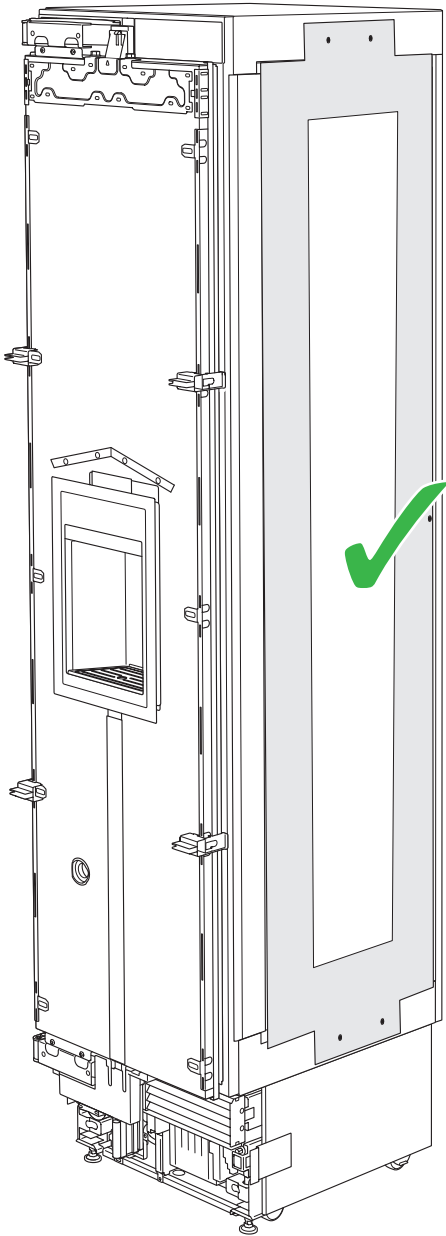
$\frac{5}{8}'' \leq b < 6\frac{1}{4}''$
(16 mm $\leq b < 160$ mm)


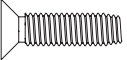


- A
- B
- C
- D

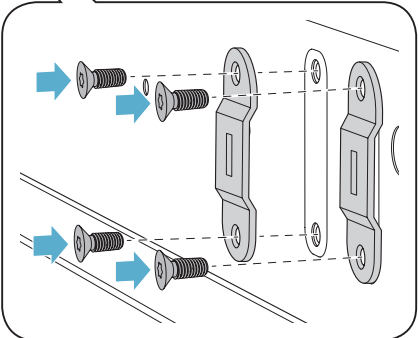
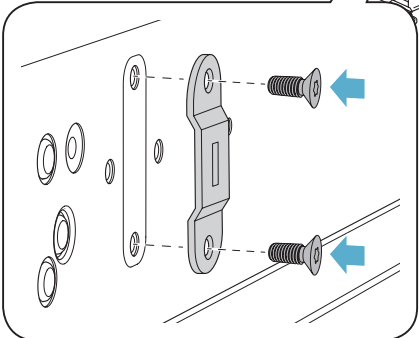
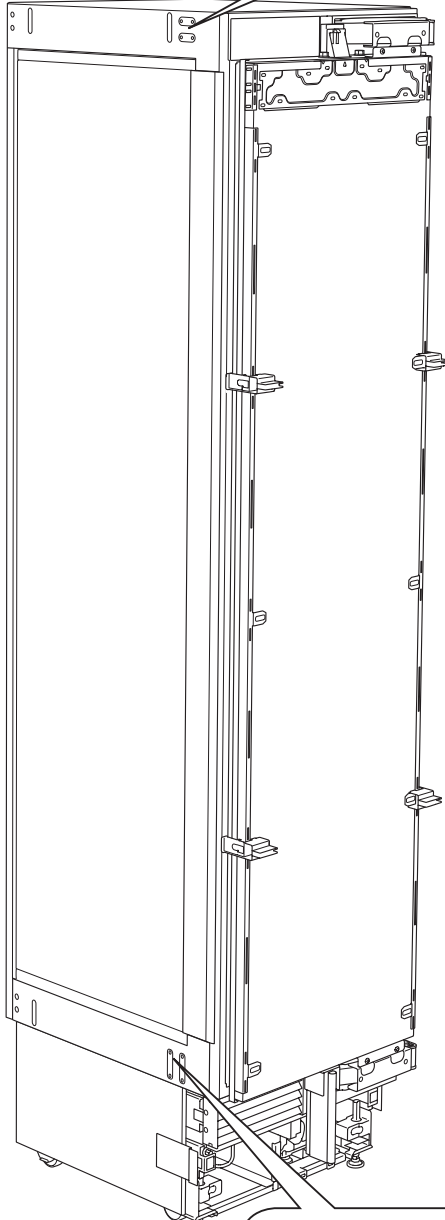
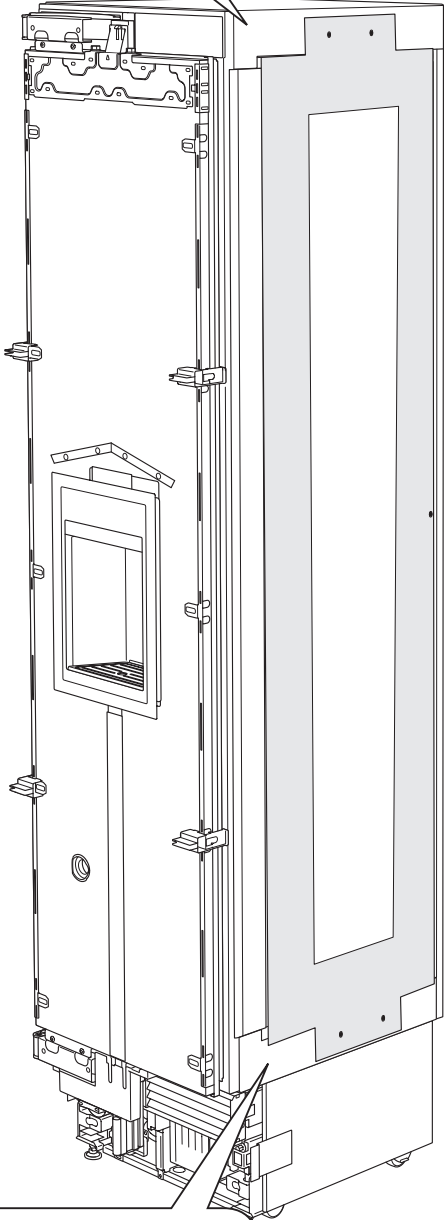
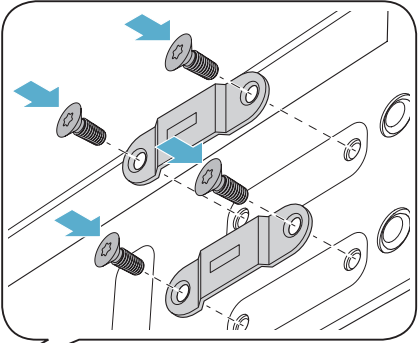
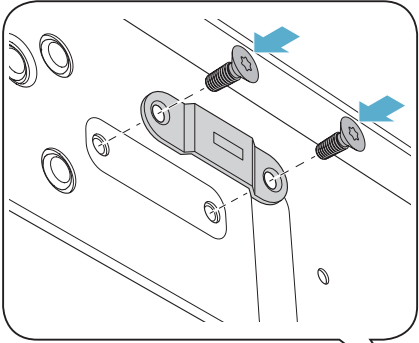


RA460000



M5x16   12x

A
B
C
D





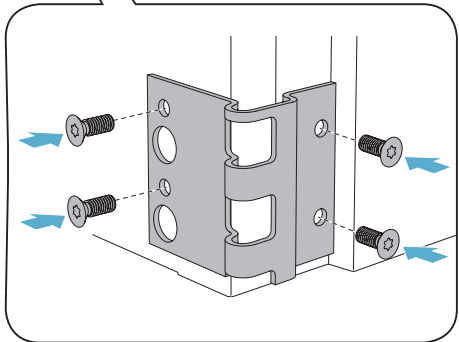
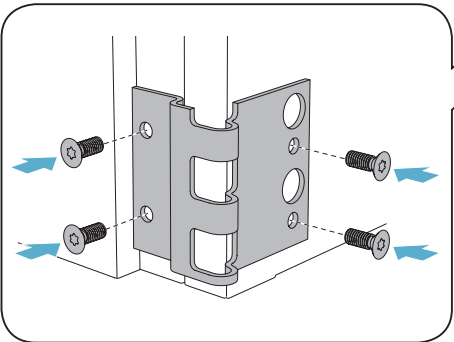
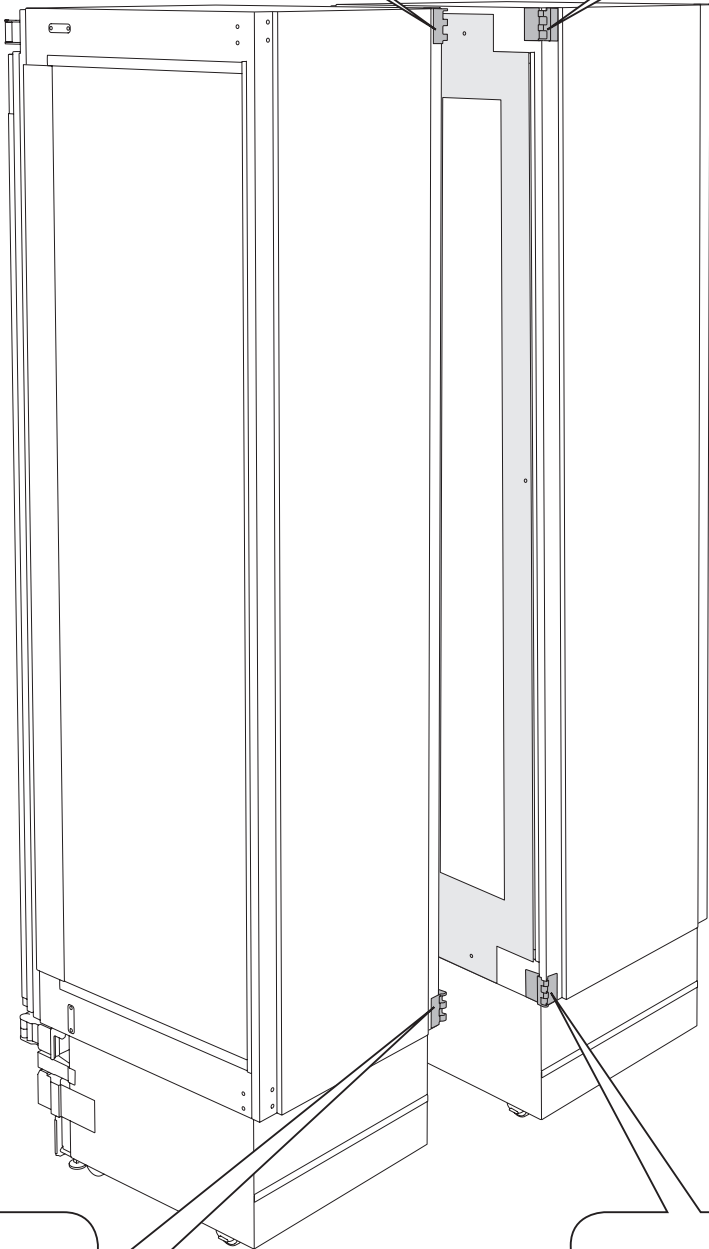
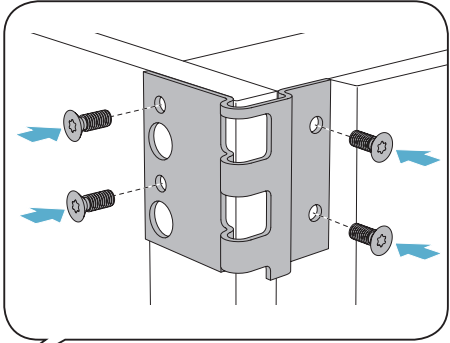
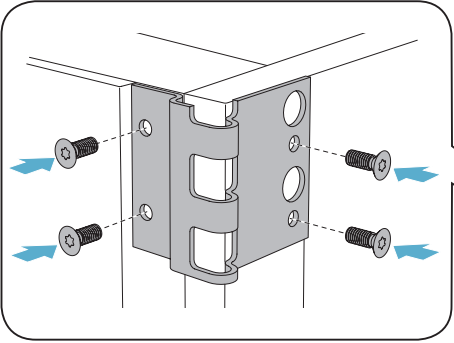
A

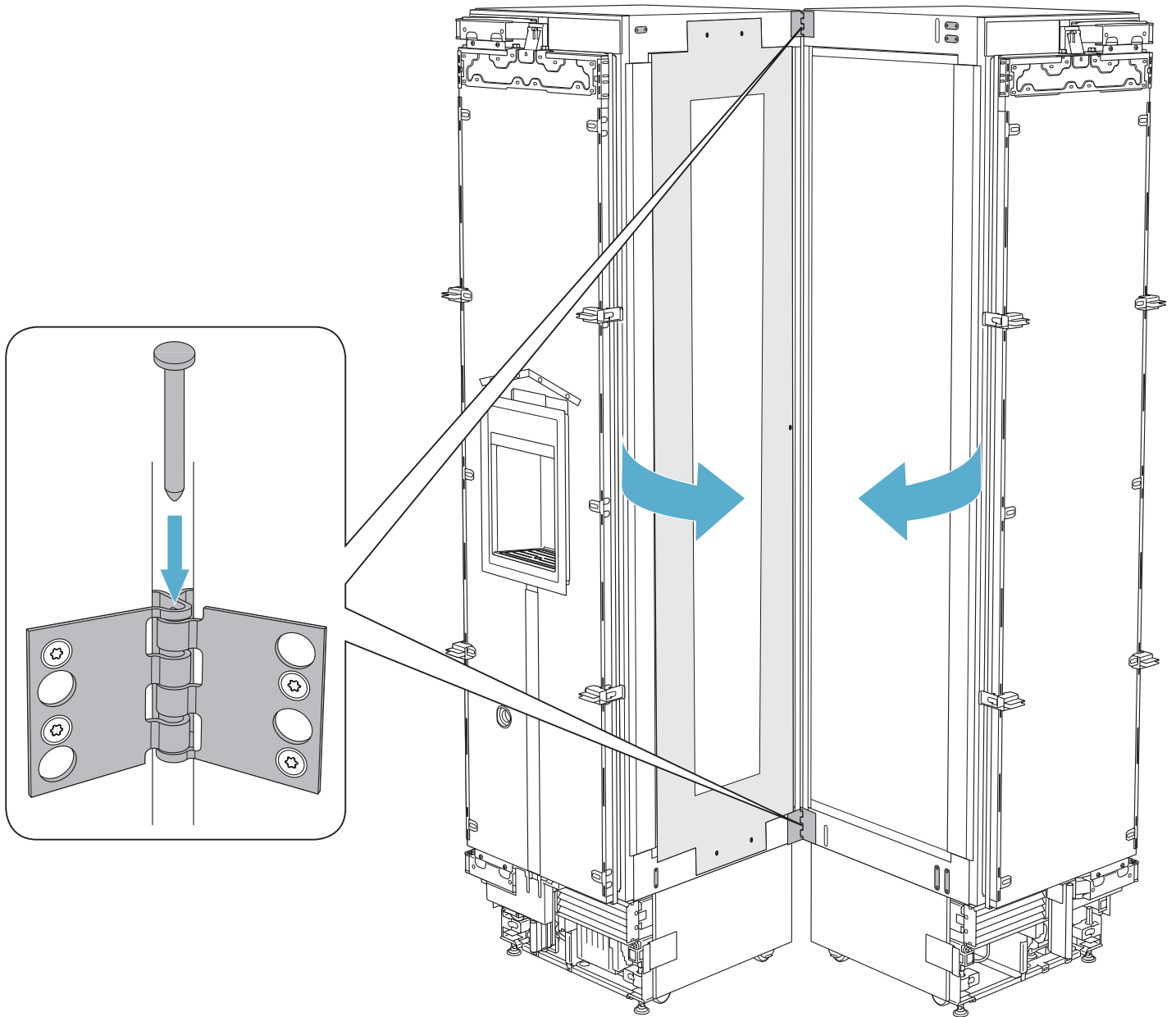
B

C

D

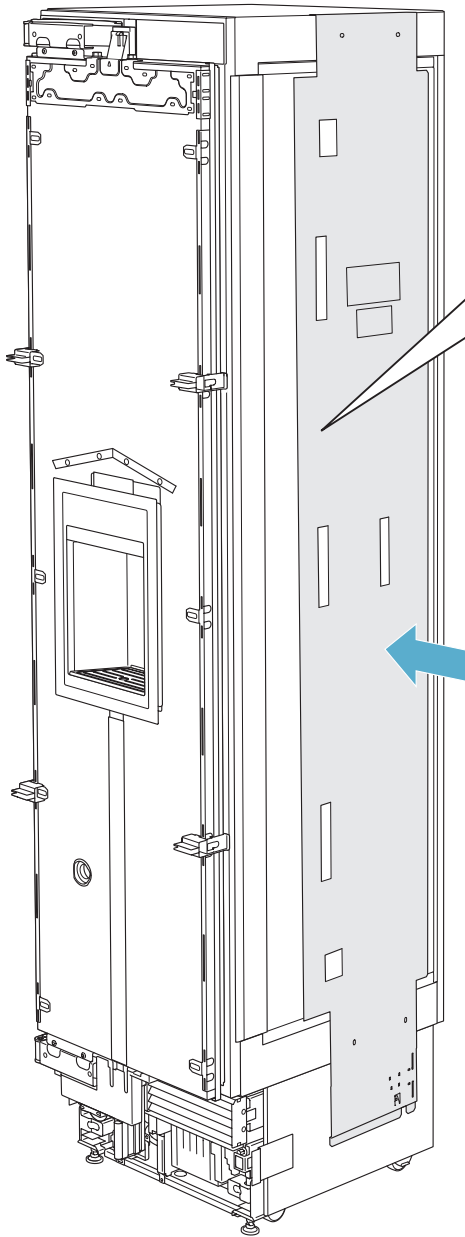
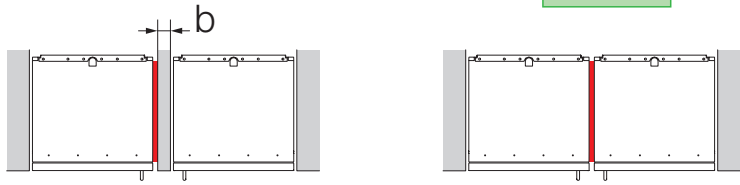
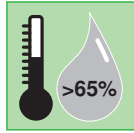
M5x16   16x



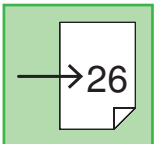
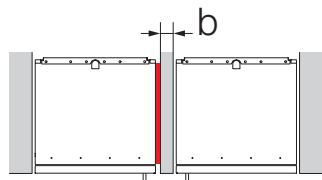




A
B
C
D

$\frac{5}{8}'' \leq b < 6\frac{1}{4}''$
(16 mm \leq b < 160 mm)

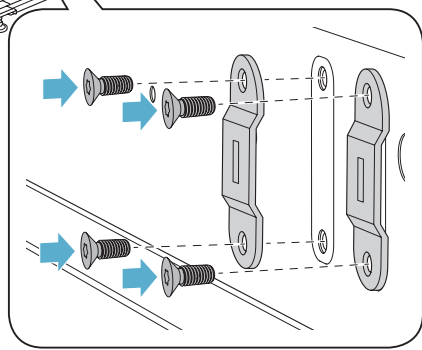
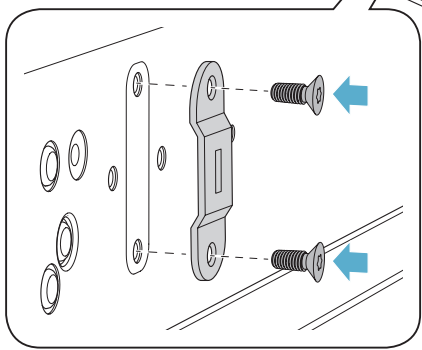
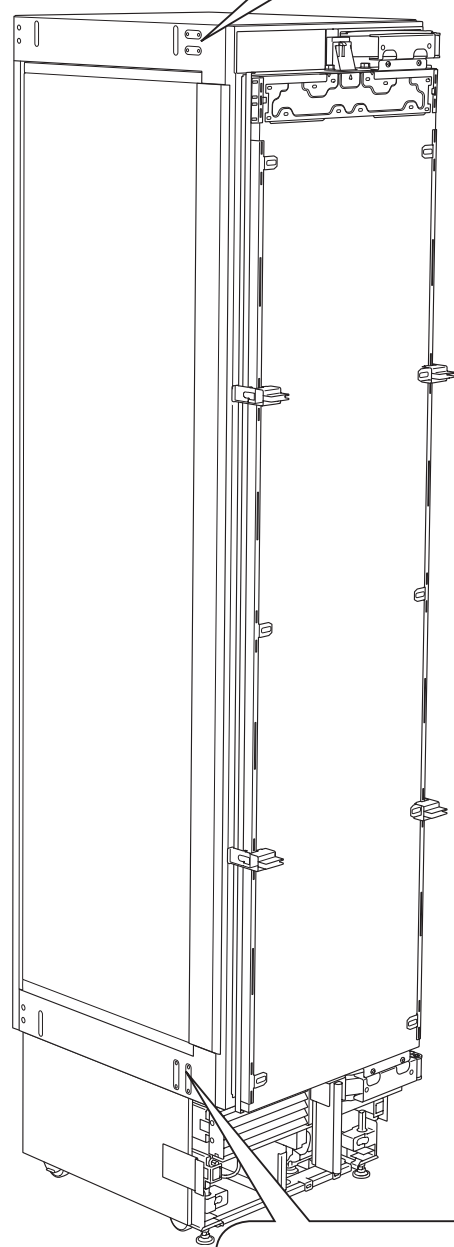
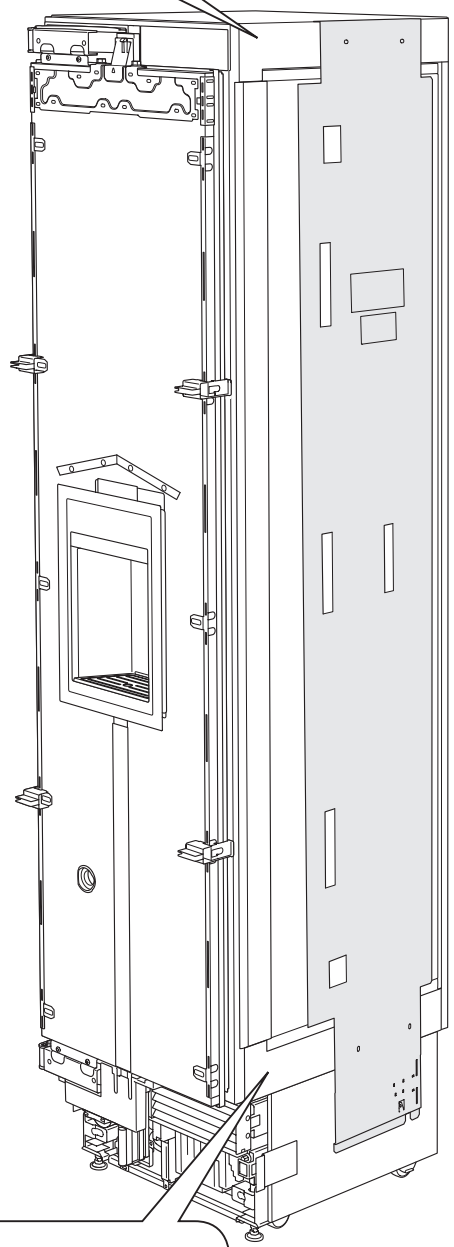
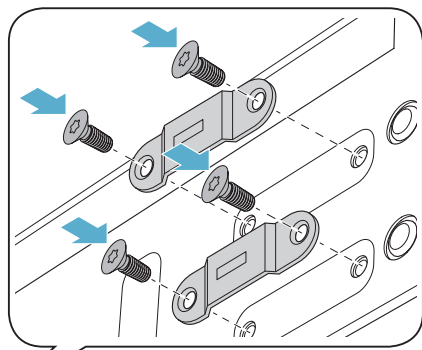
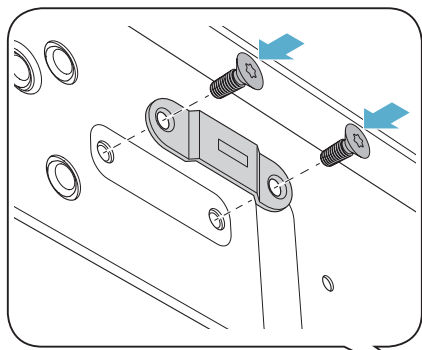


RA460013



M5x16   12x

A
B
C
D





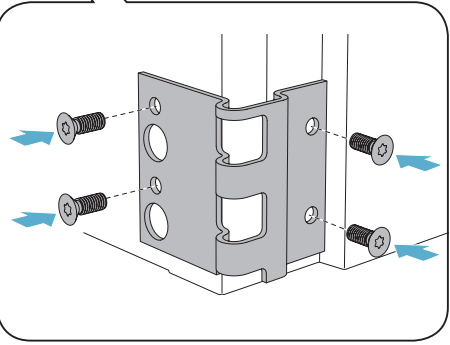
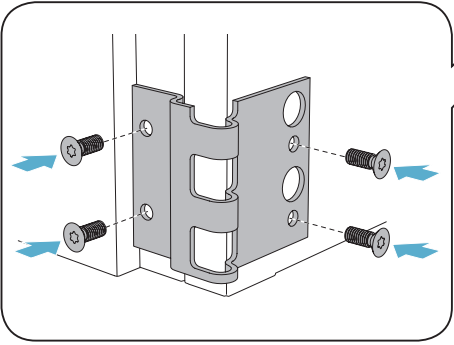
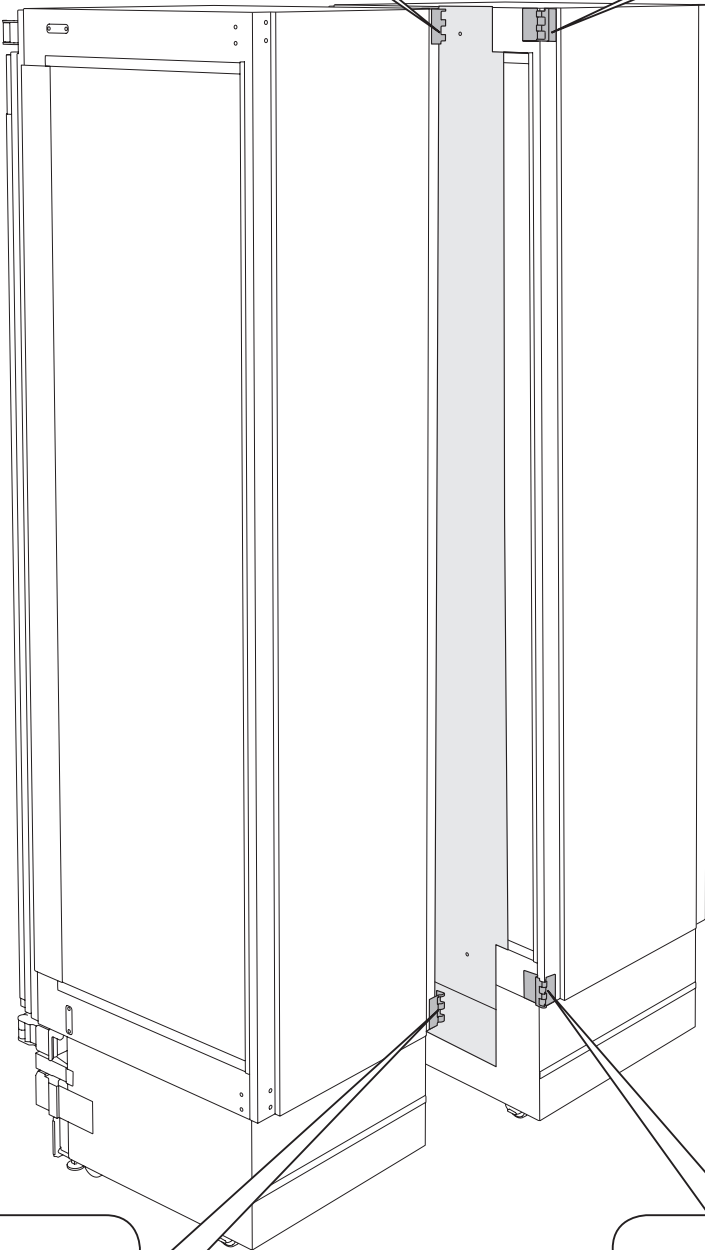
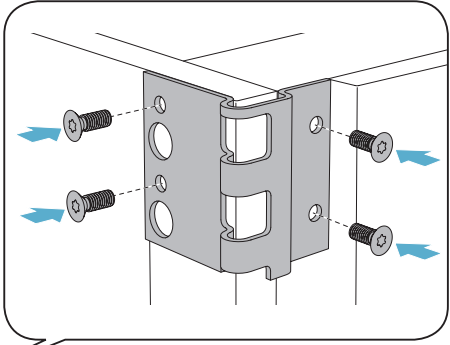
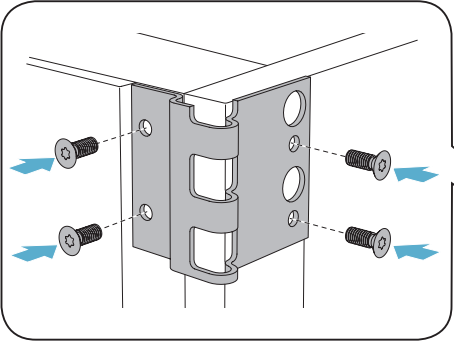
A

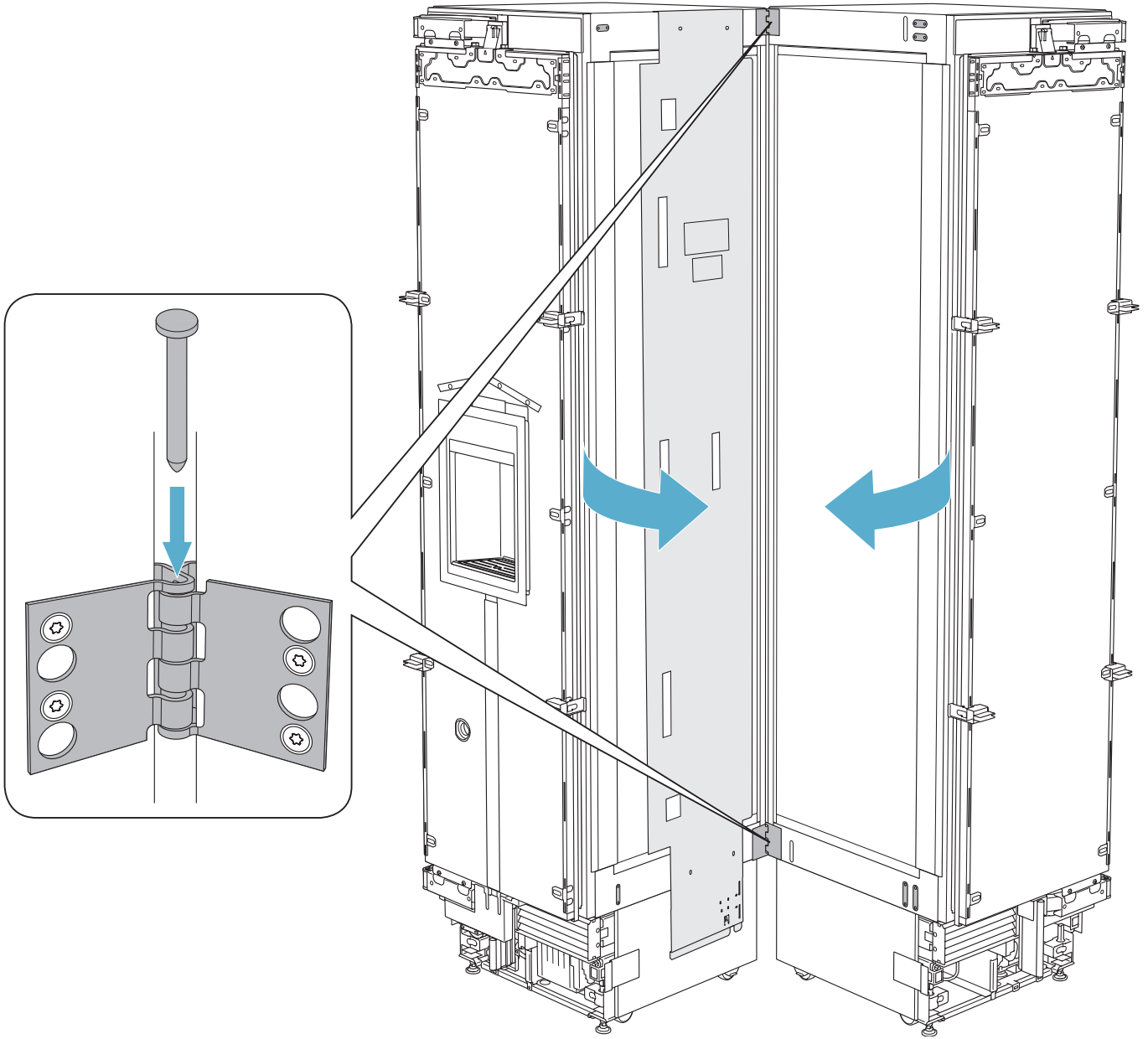
B

C

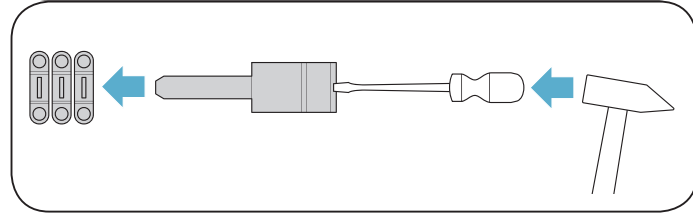
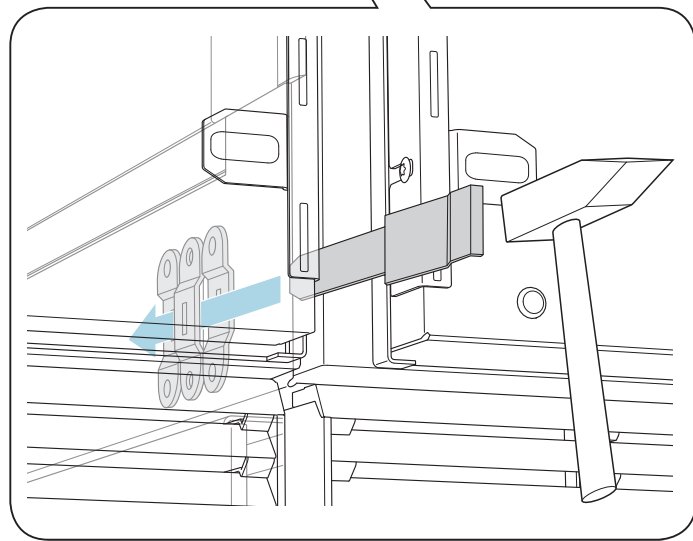
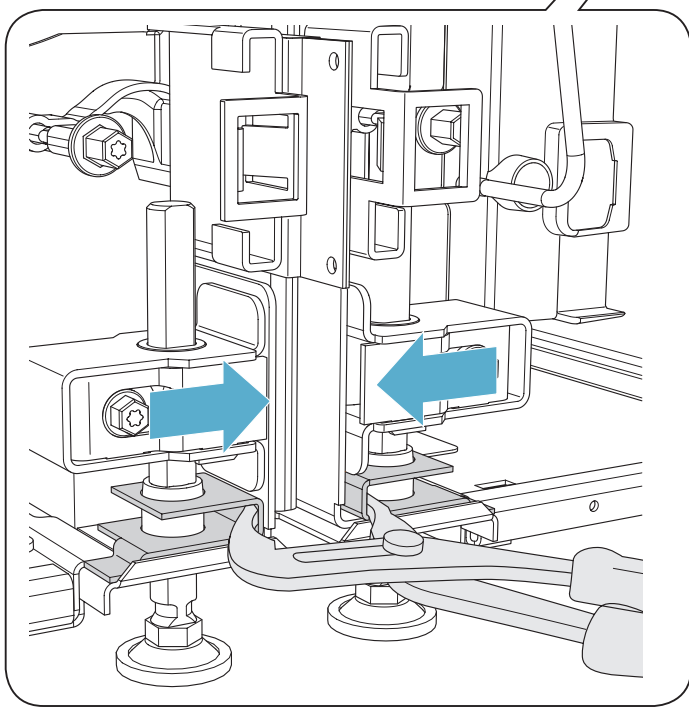
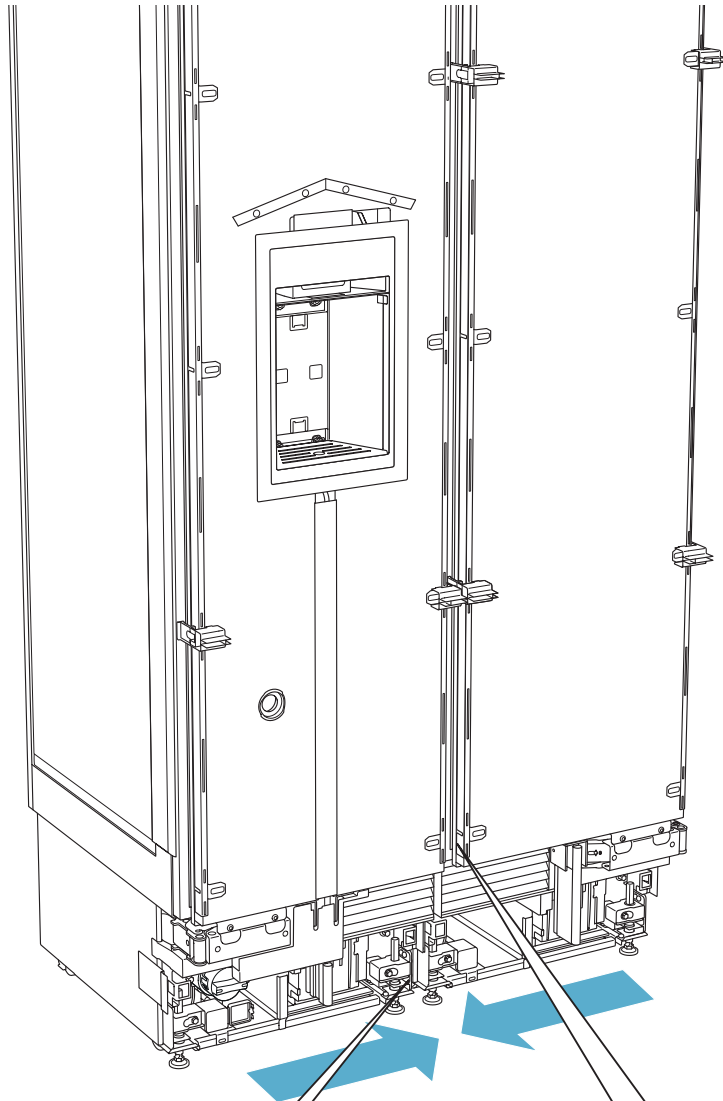
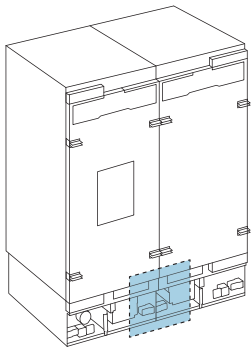
D

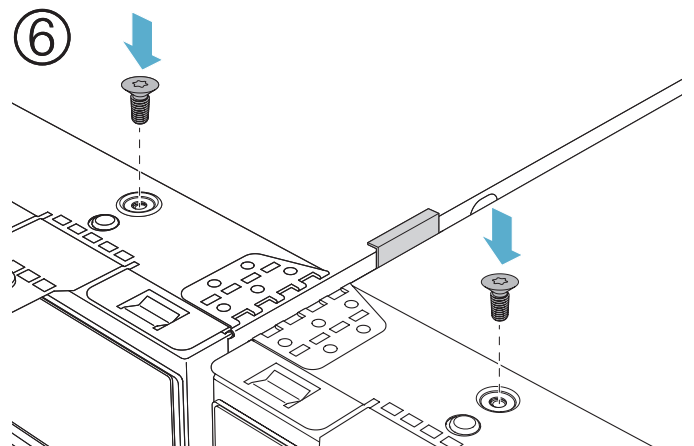
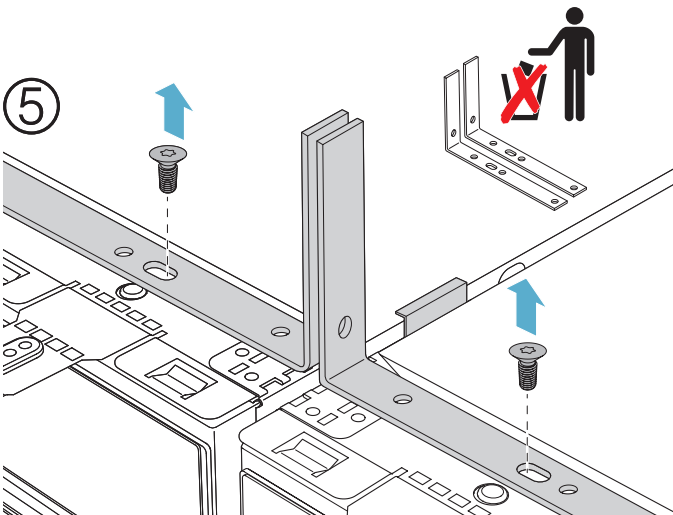
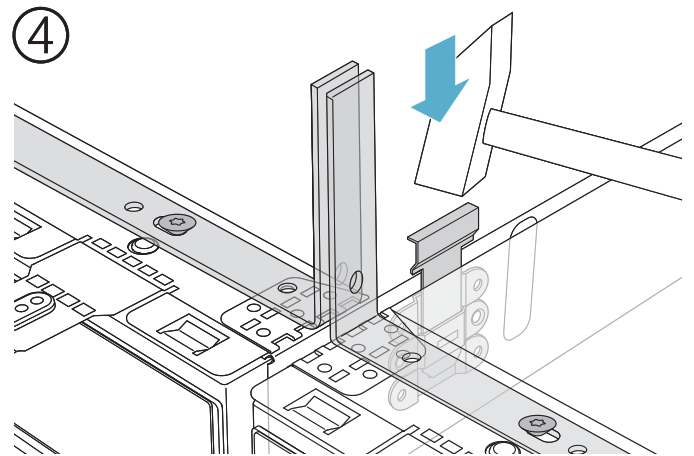
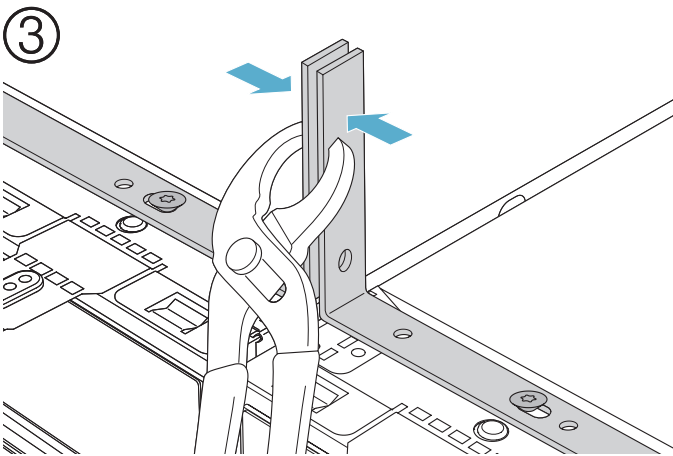
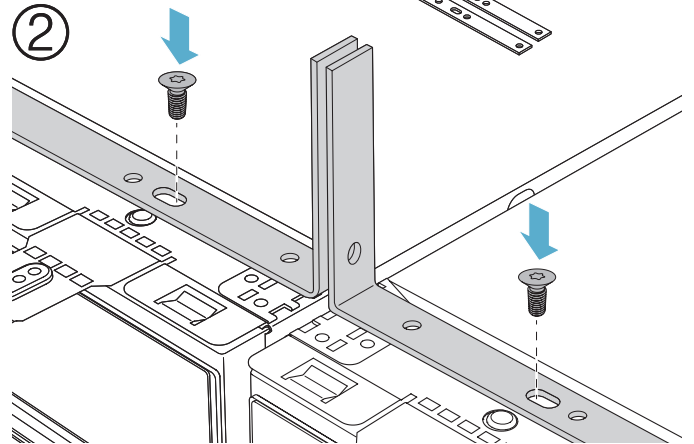
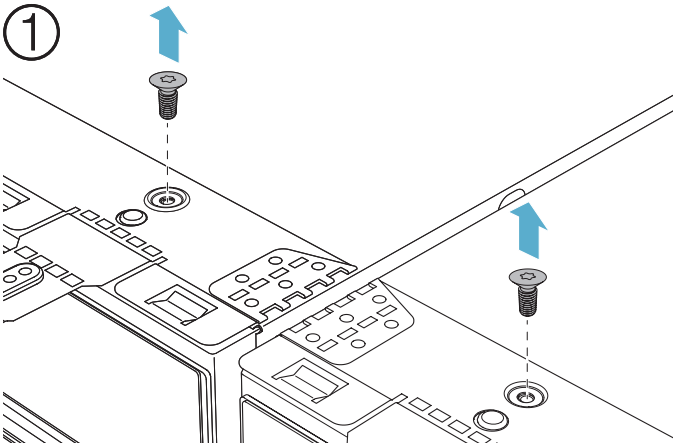
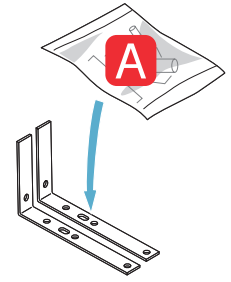
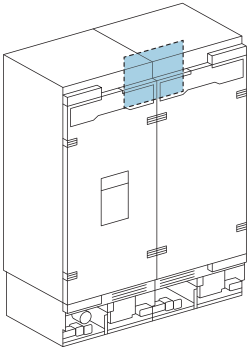
M5x16   16x

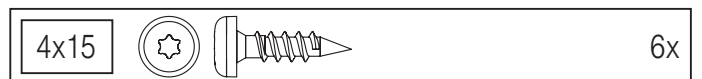
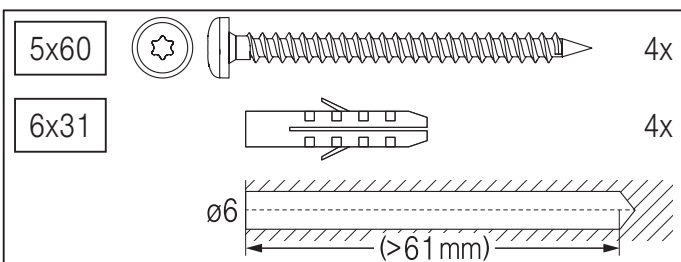
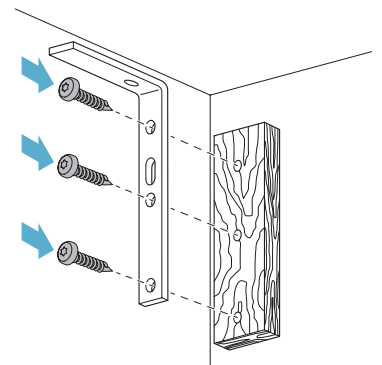
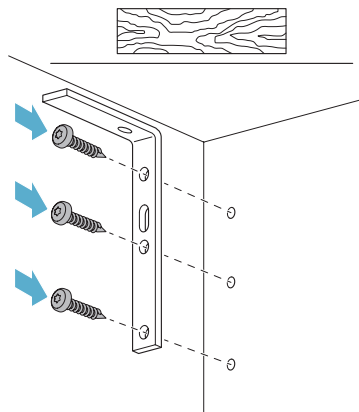
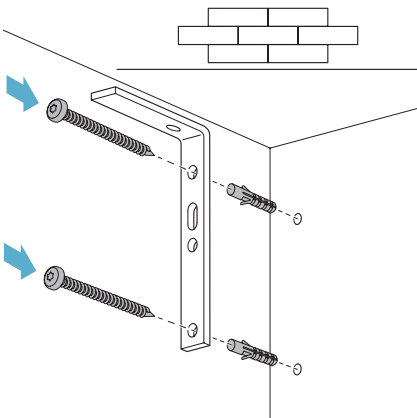
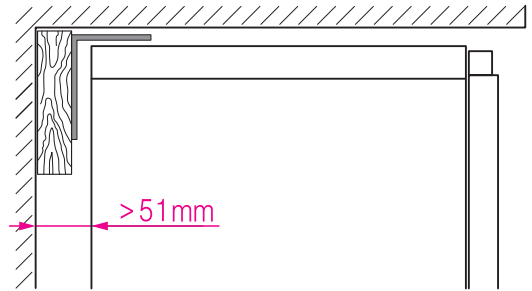
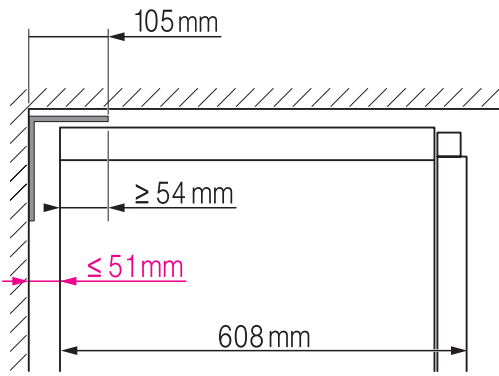
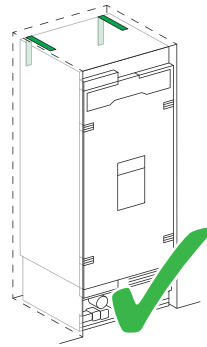
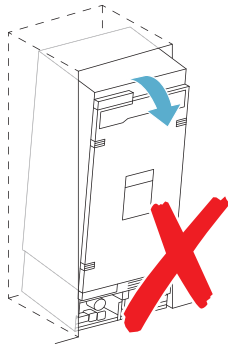
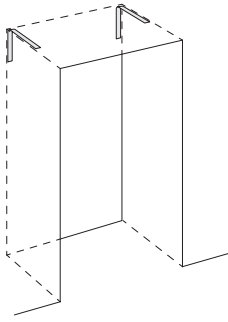


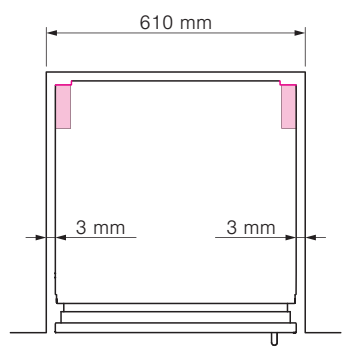
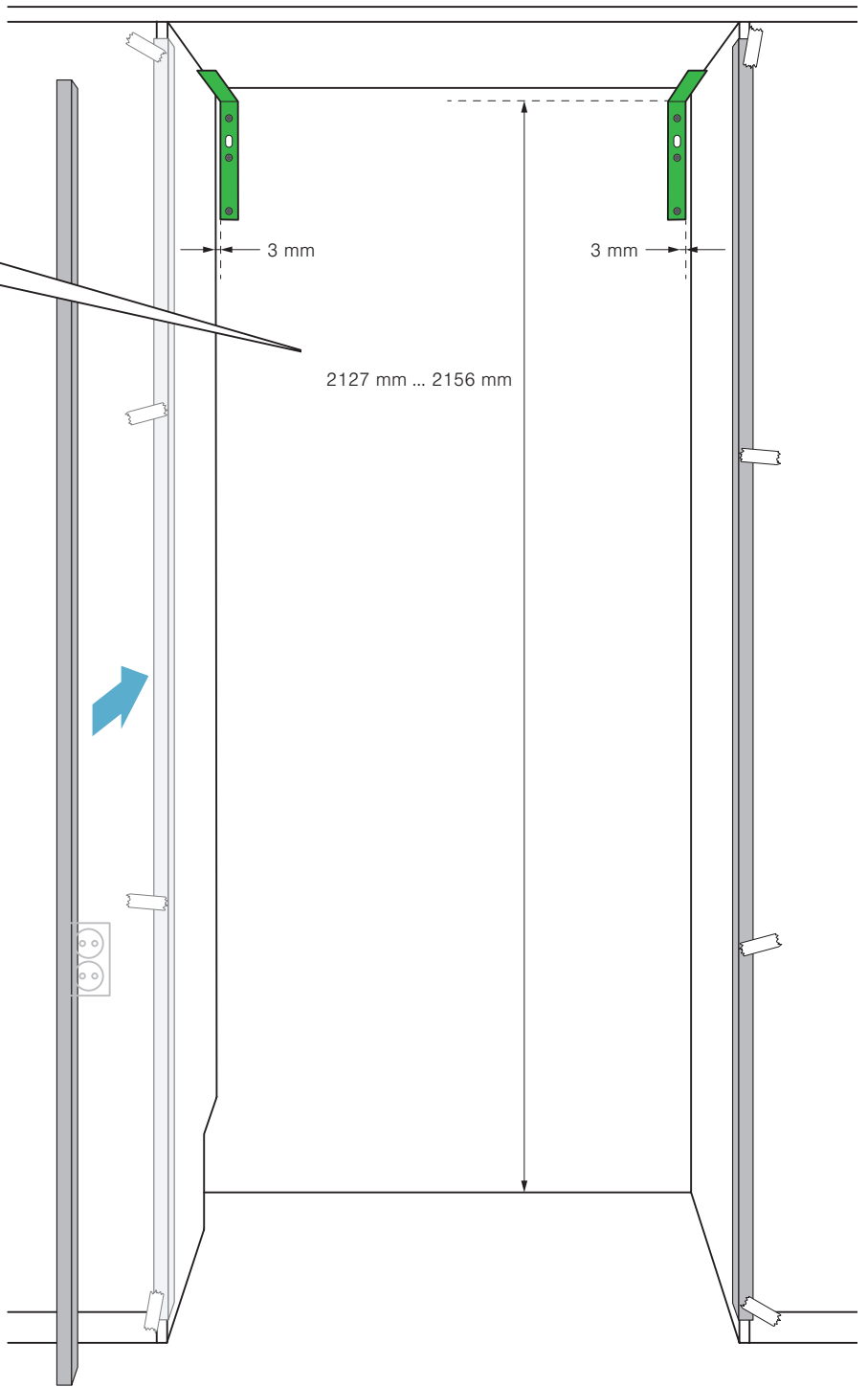
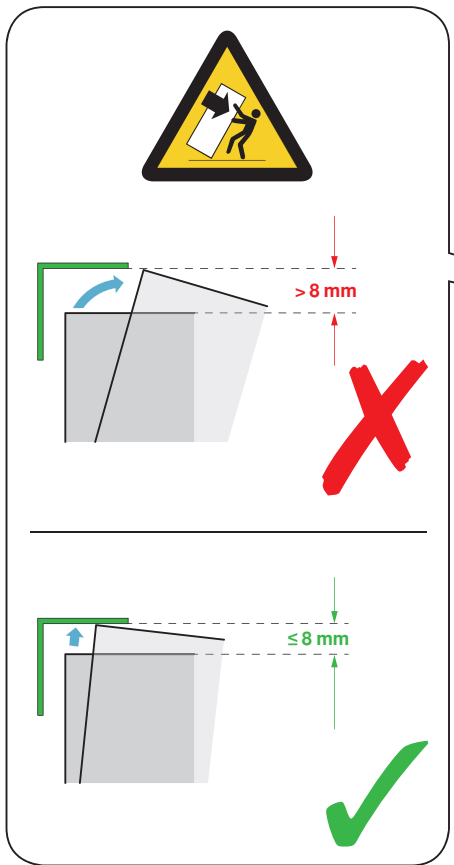
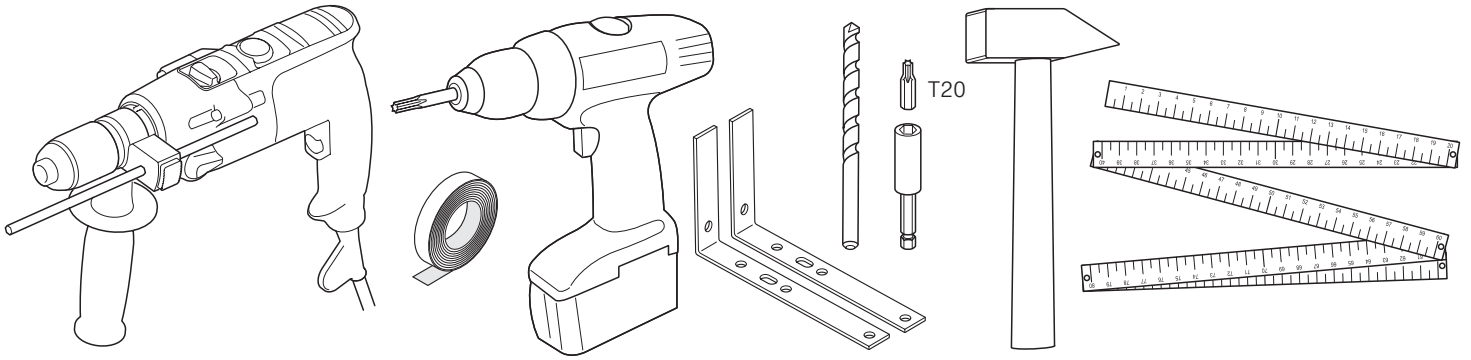


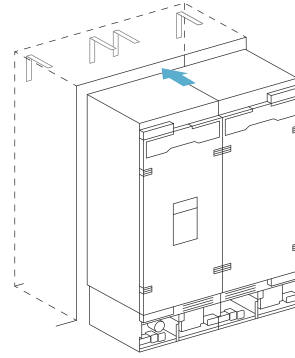
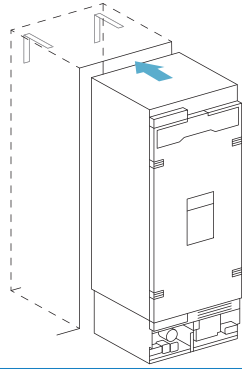
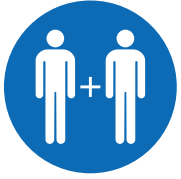
A
B
C
D



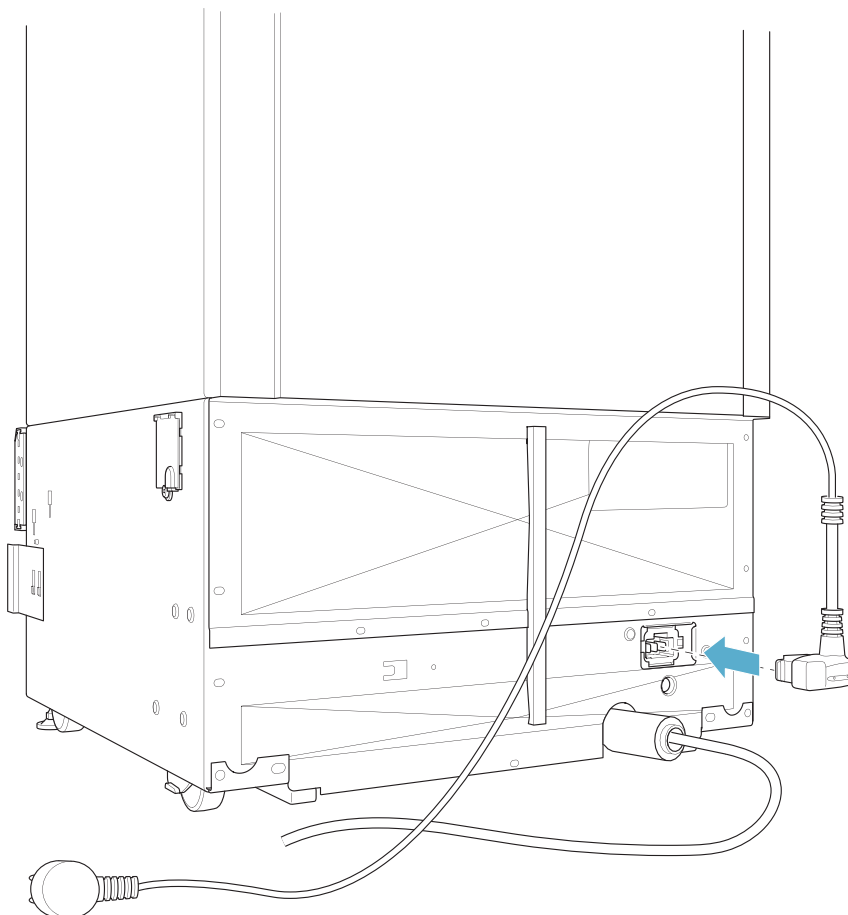
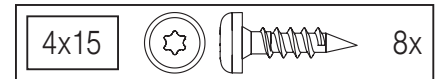
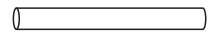
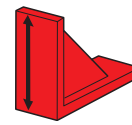
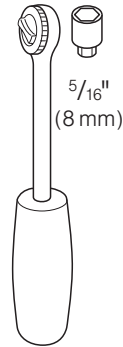
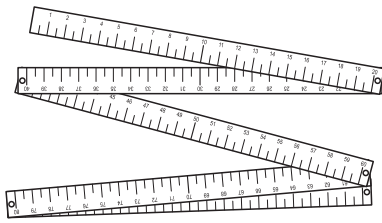
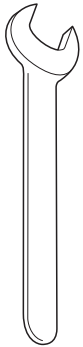
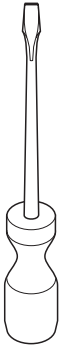
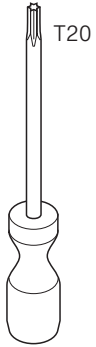




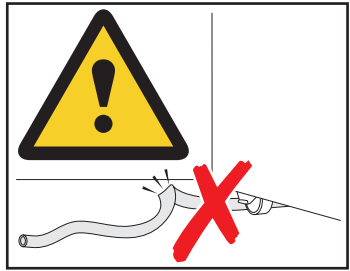
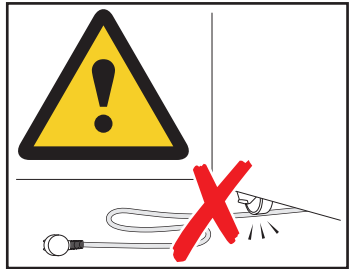
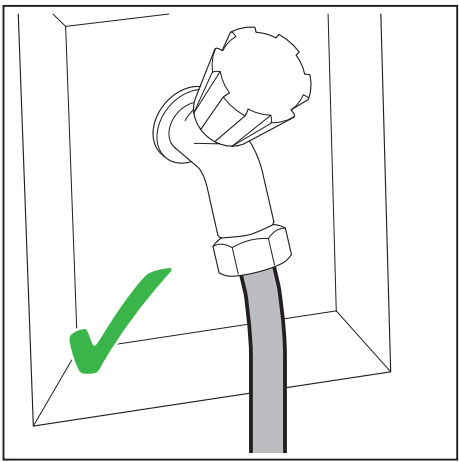
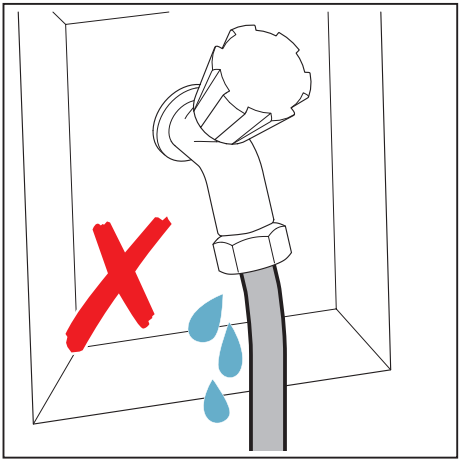
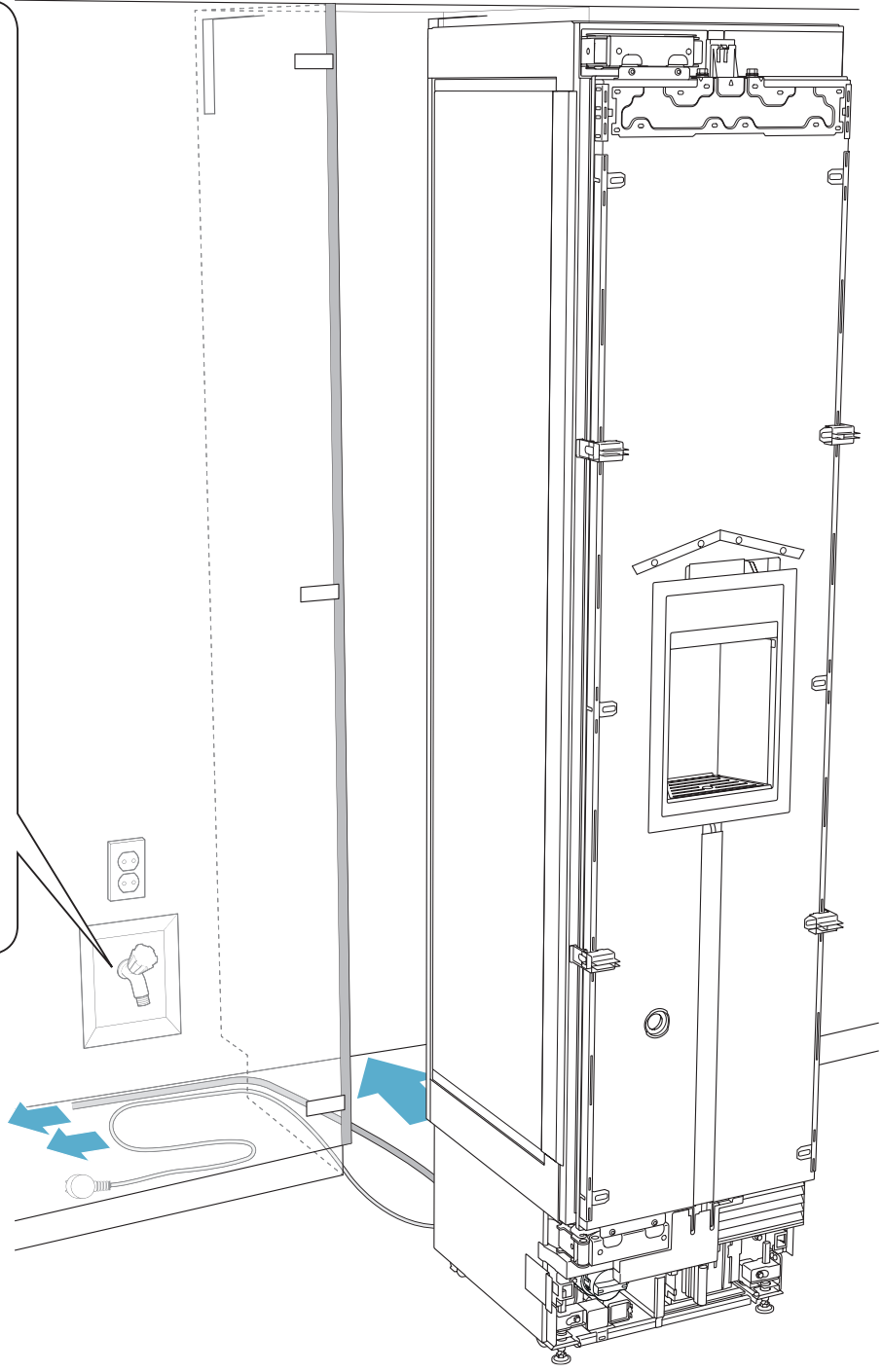
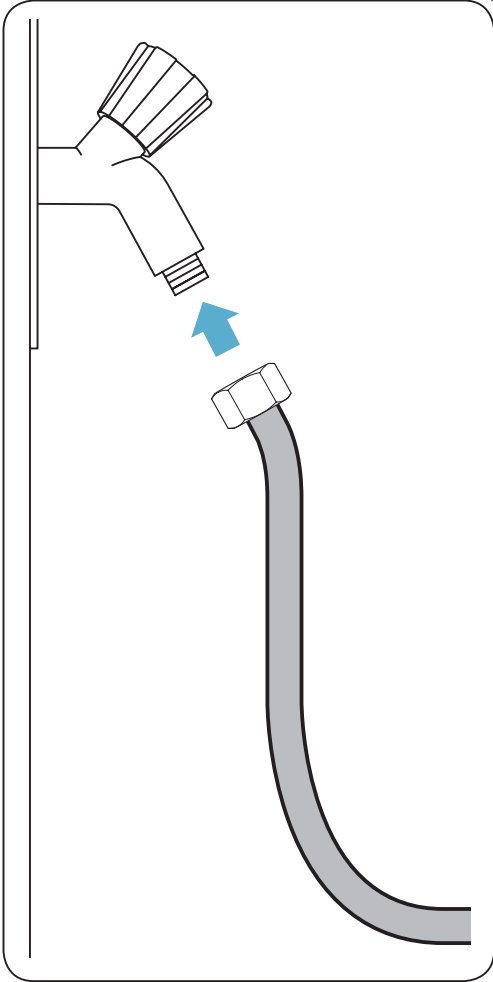


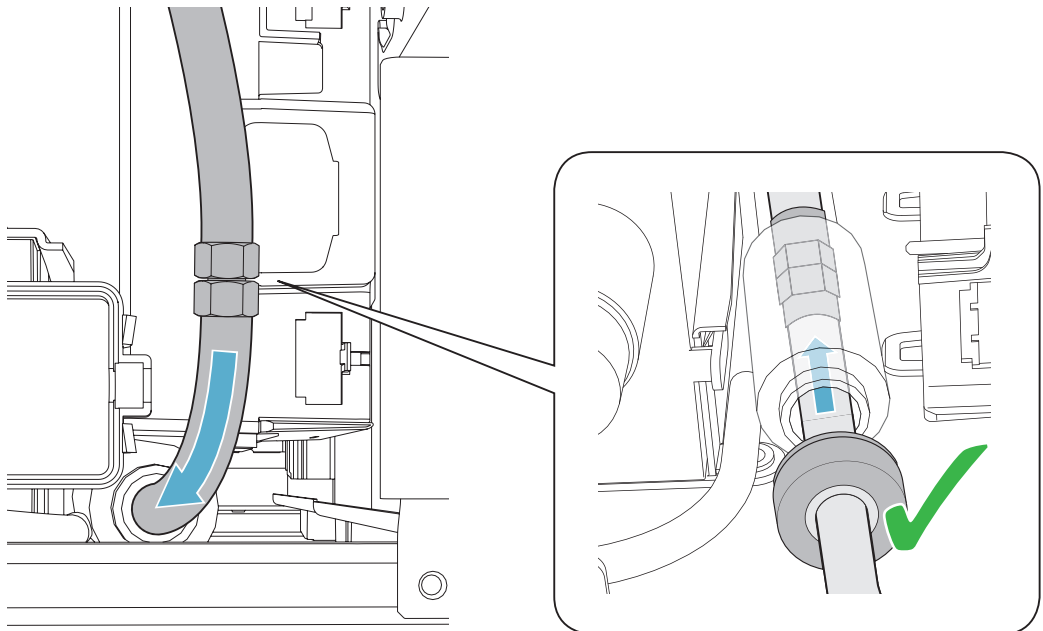
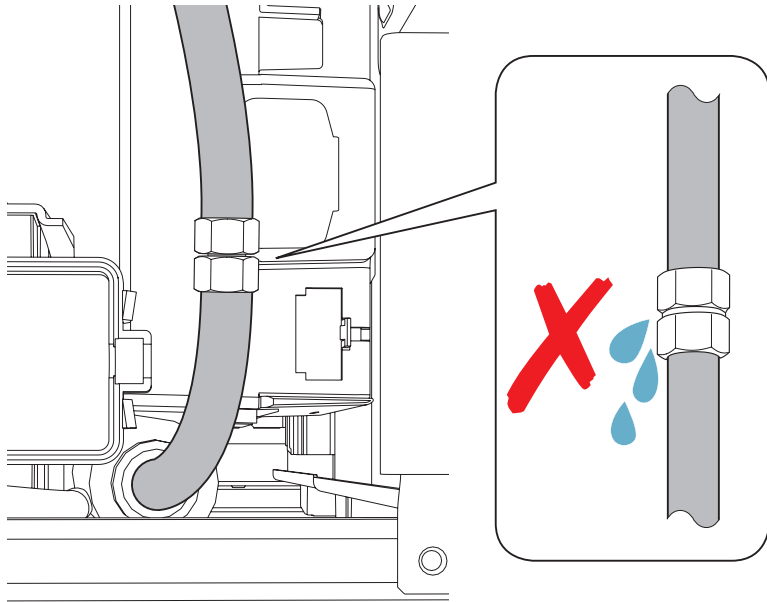
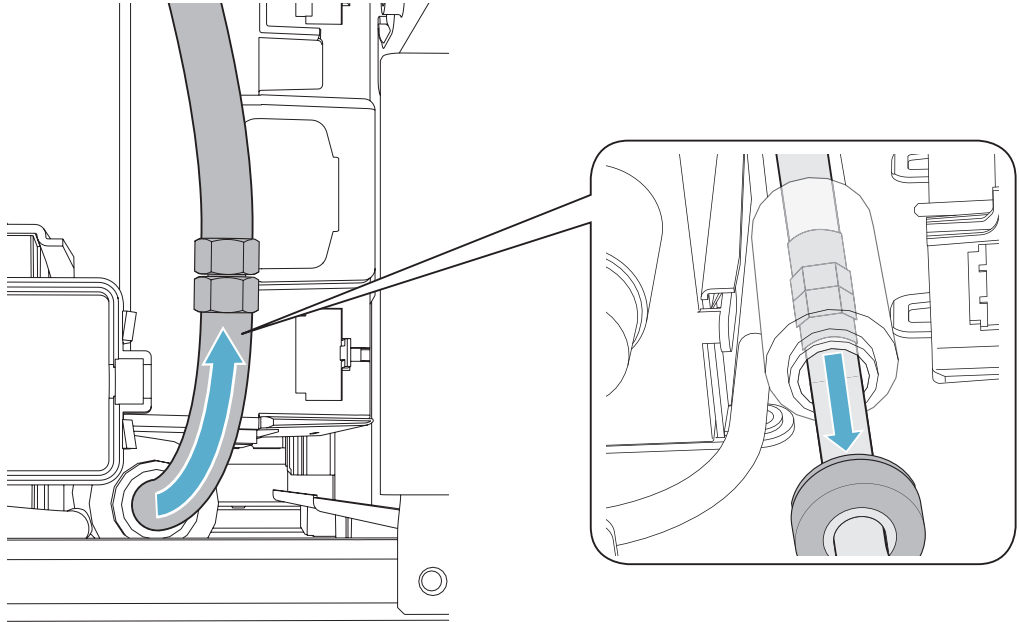
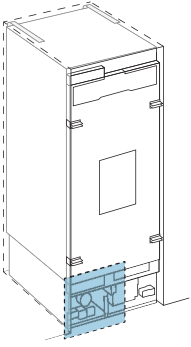


A
B
C
D

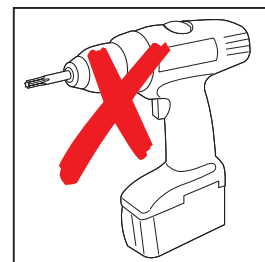
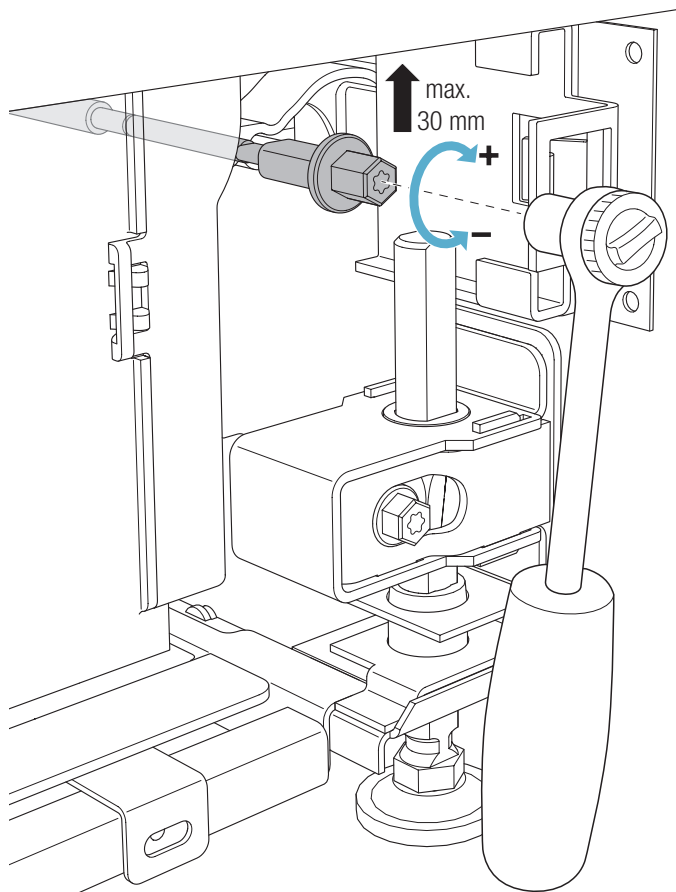
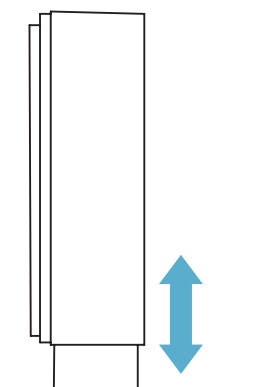
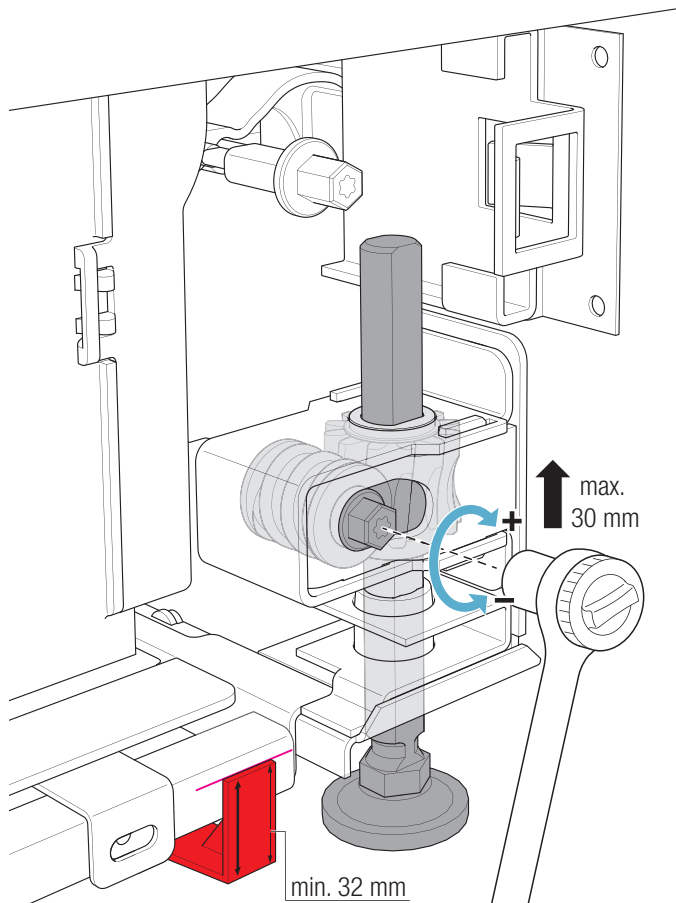
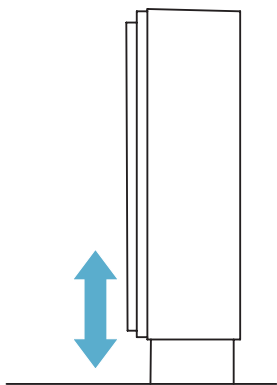
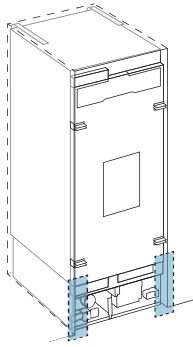


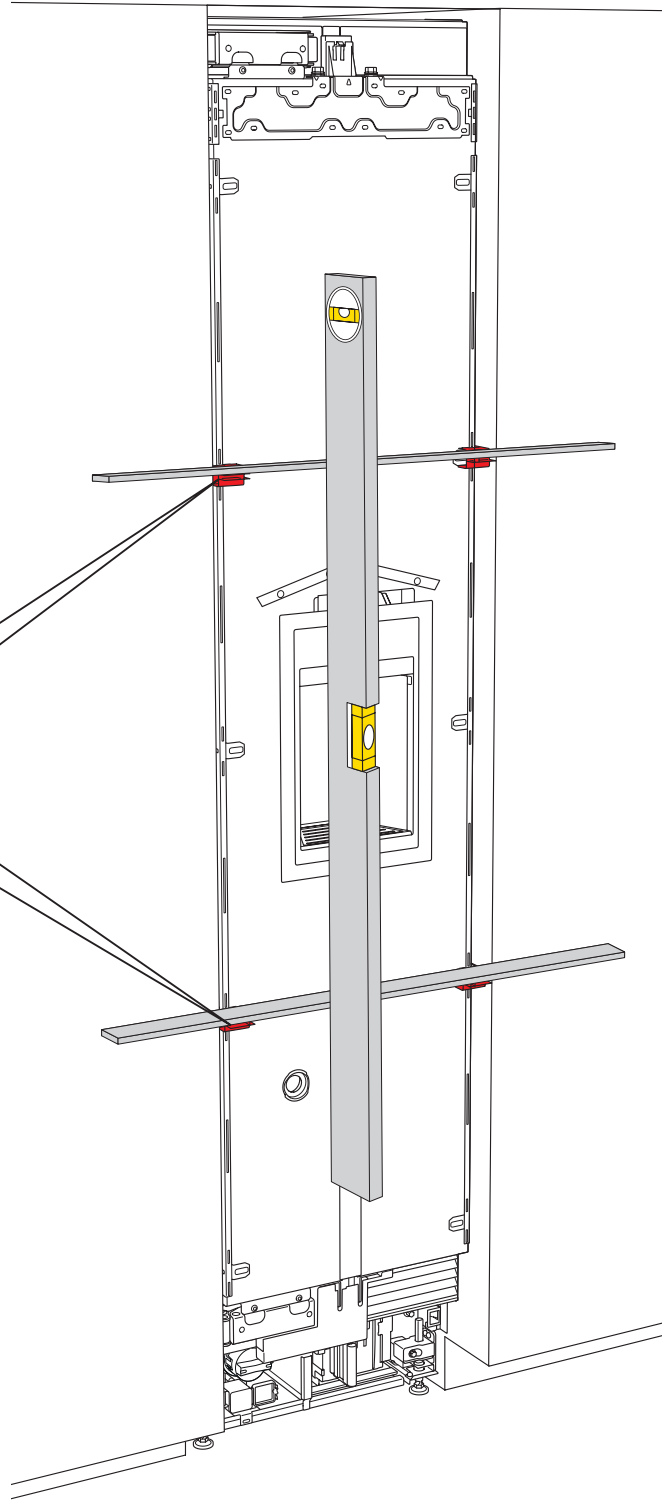
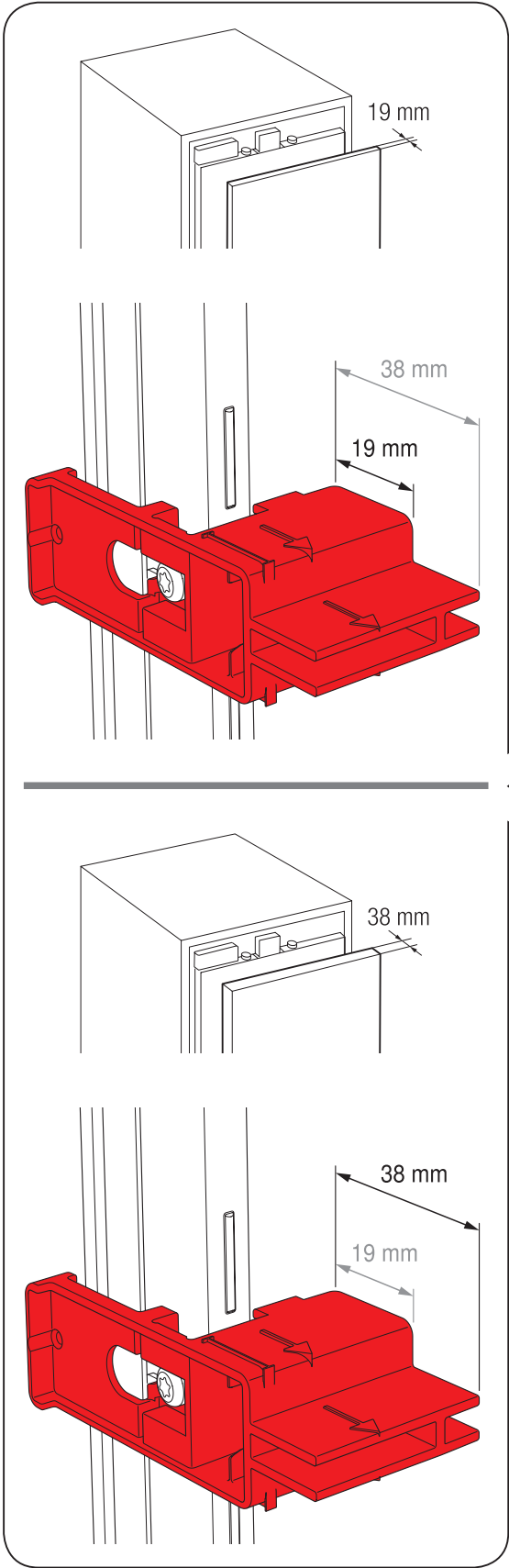
A
B
C
D




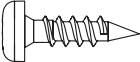


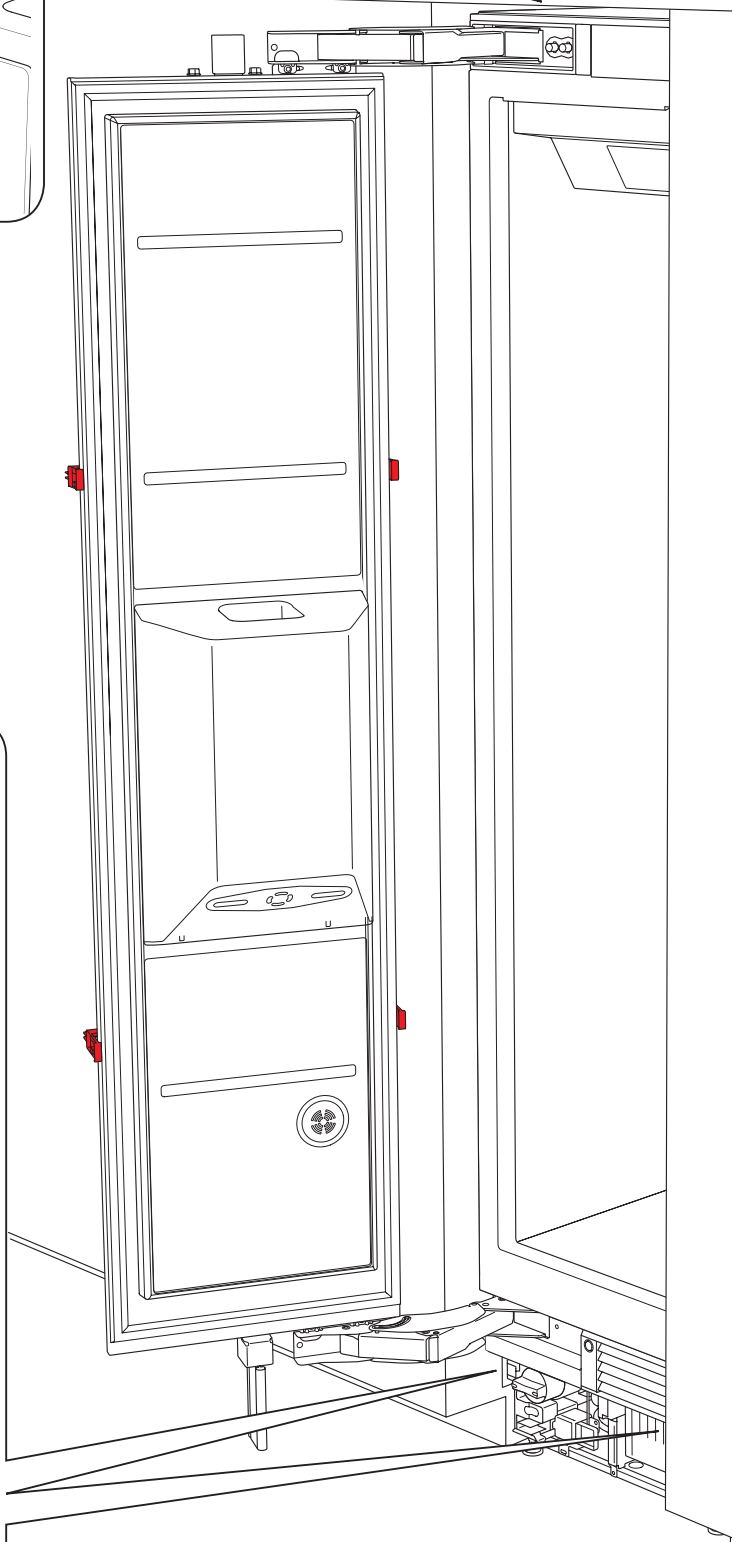
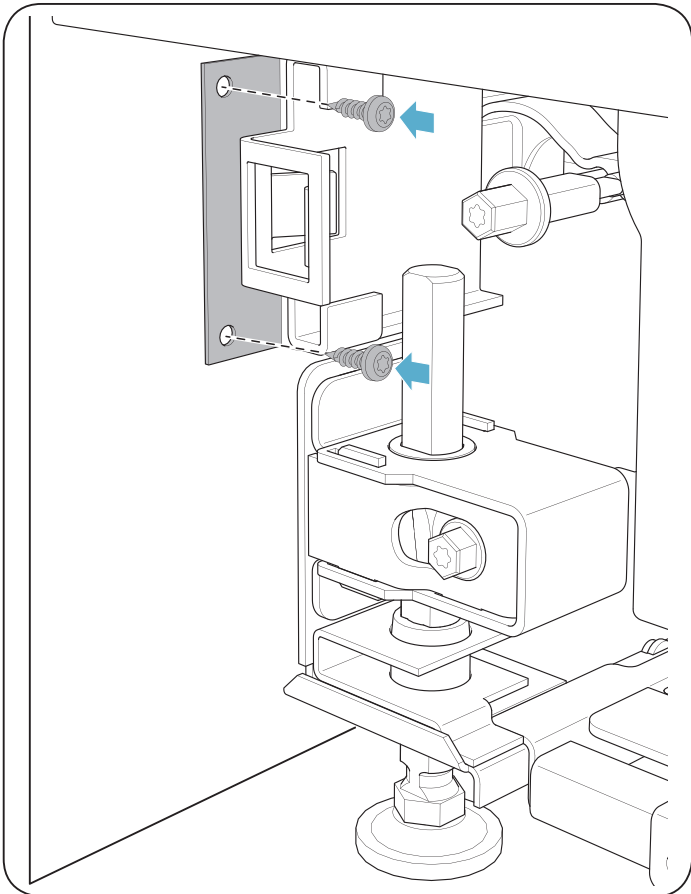
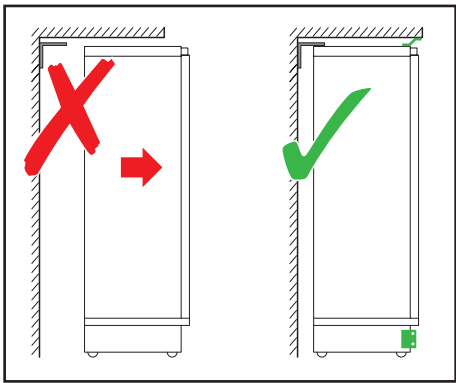
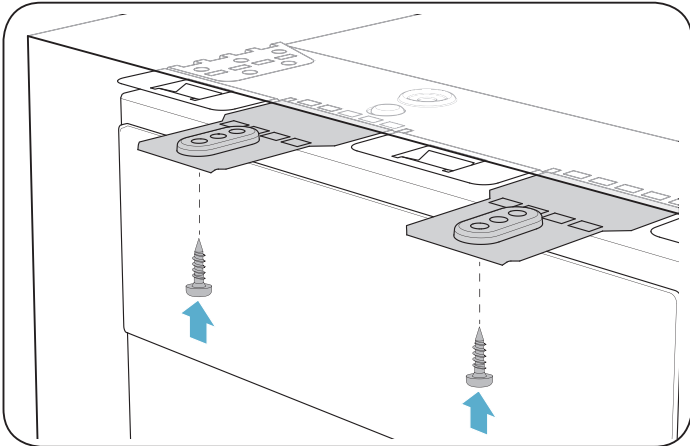
A
B
C
D

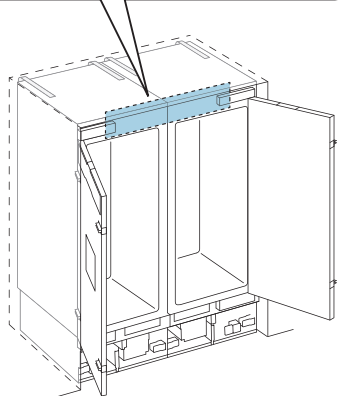
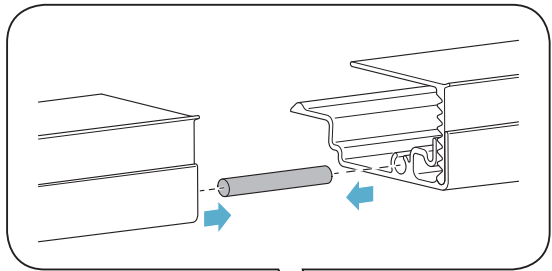
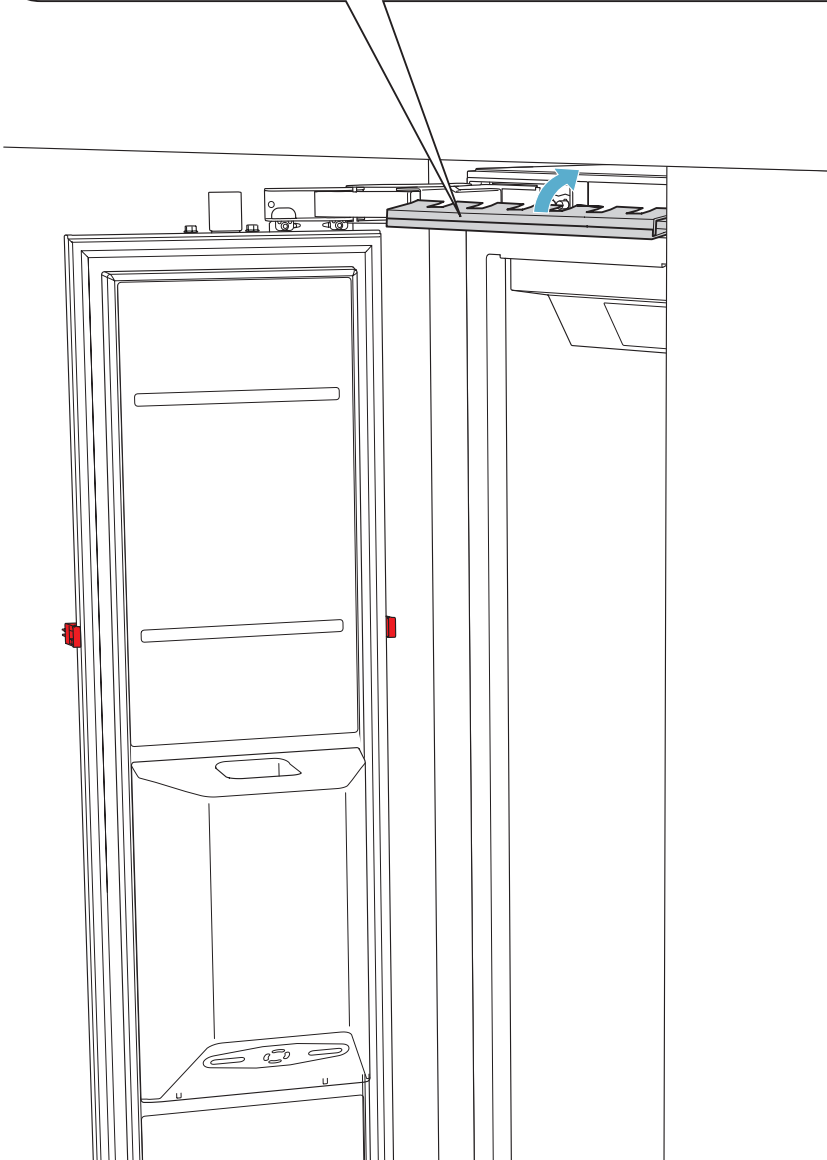
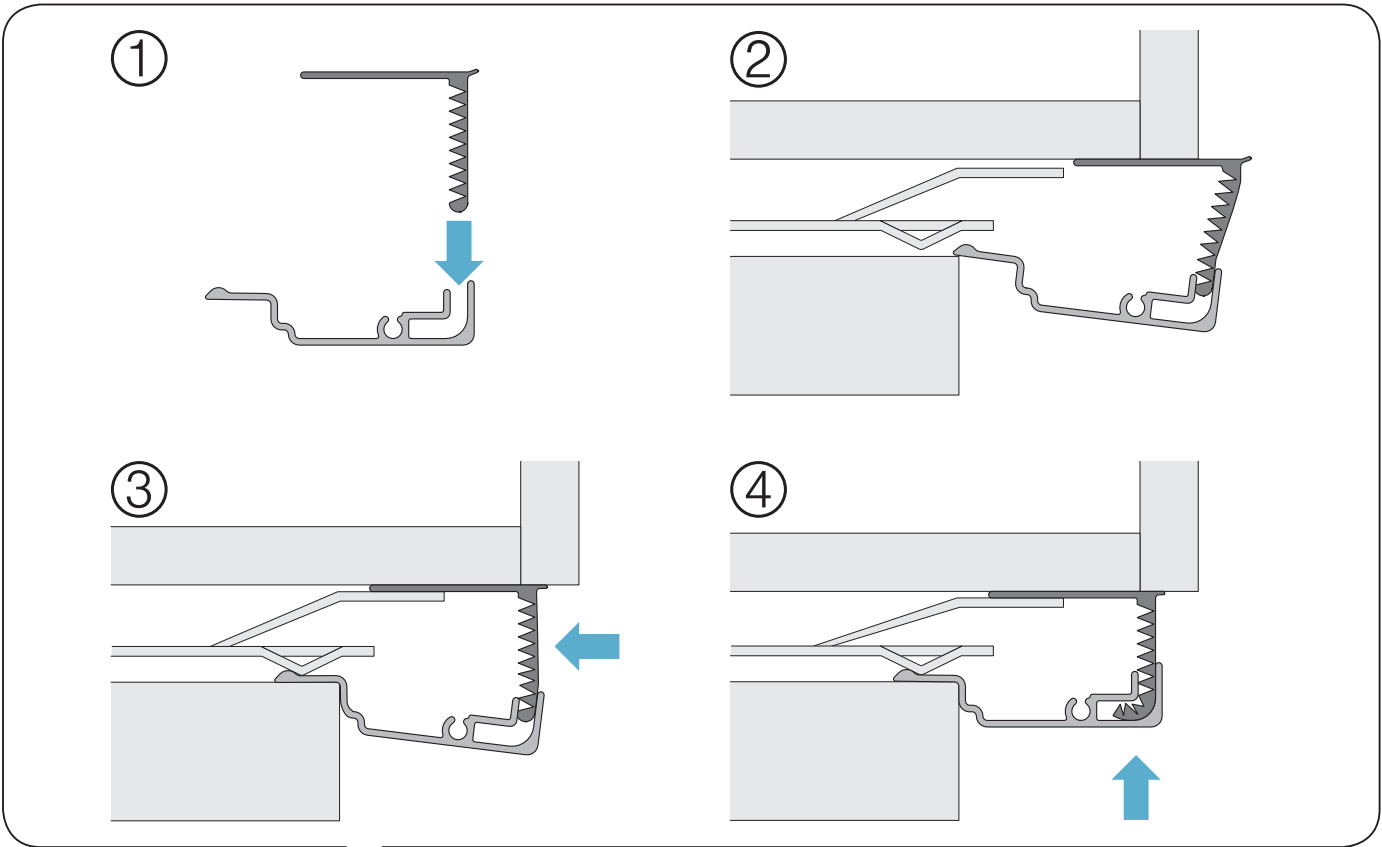




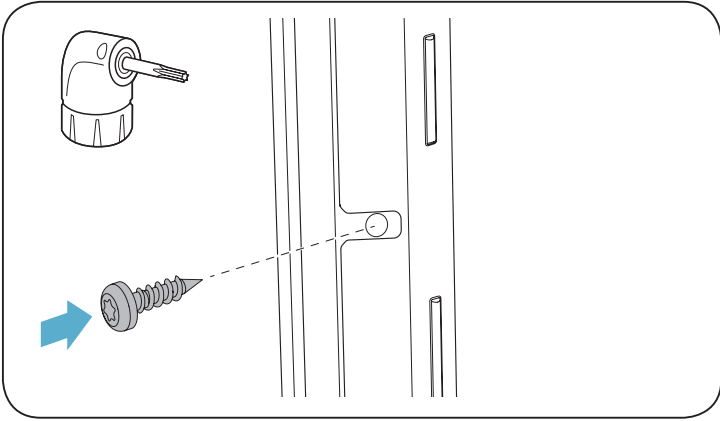
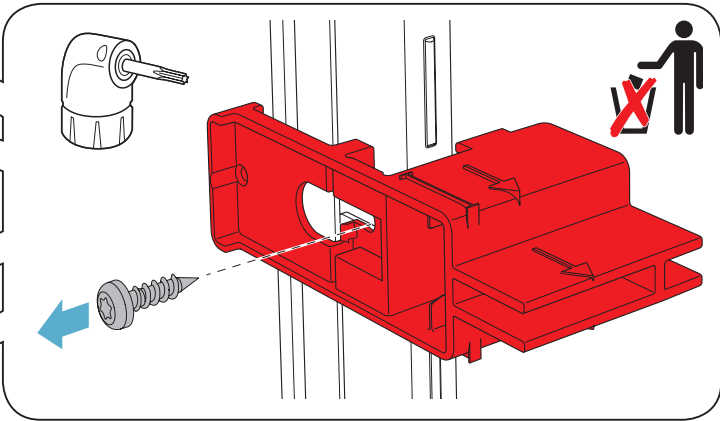
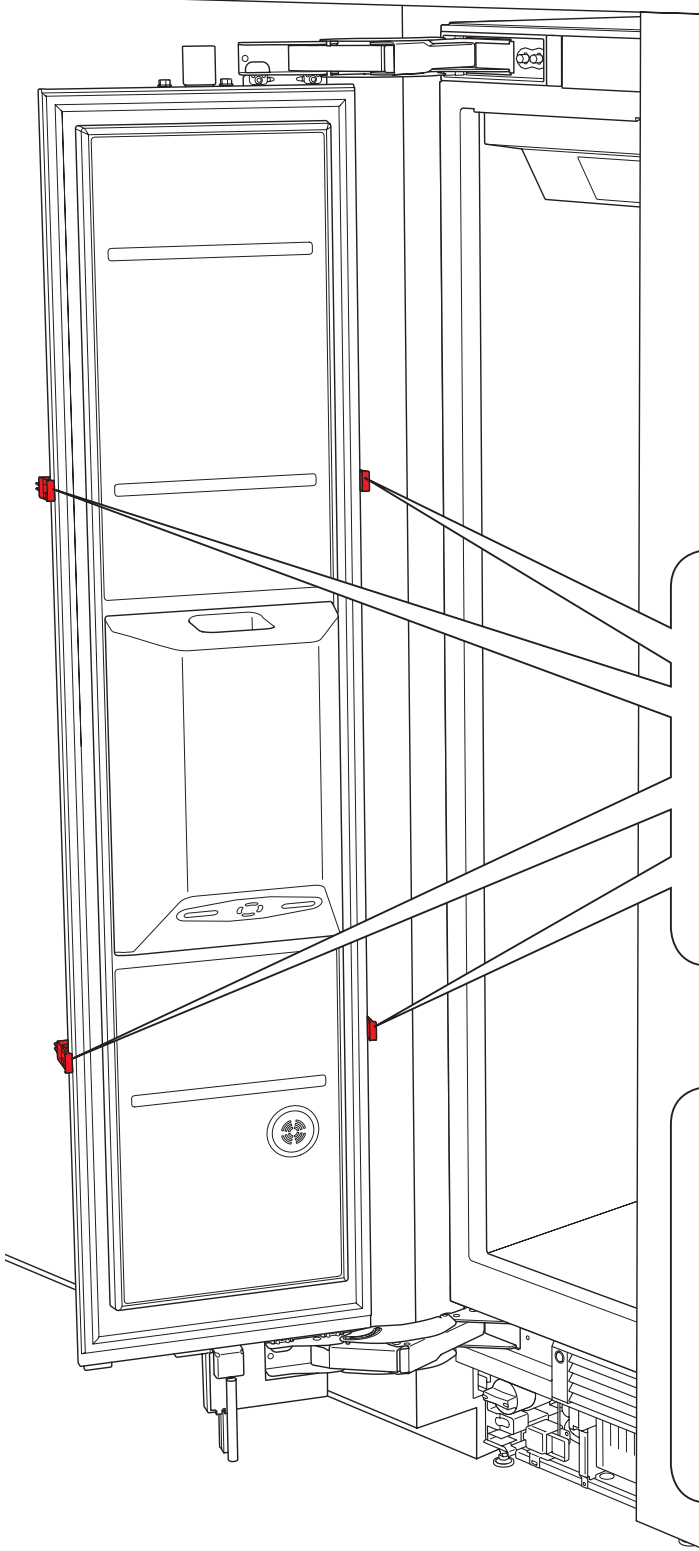
A
B
C
D

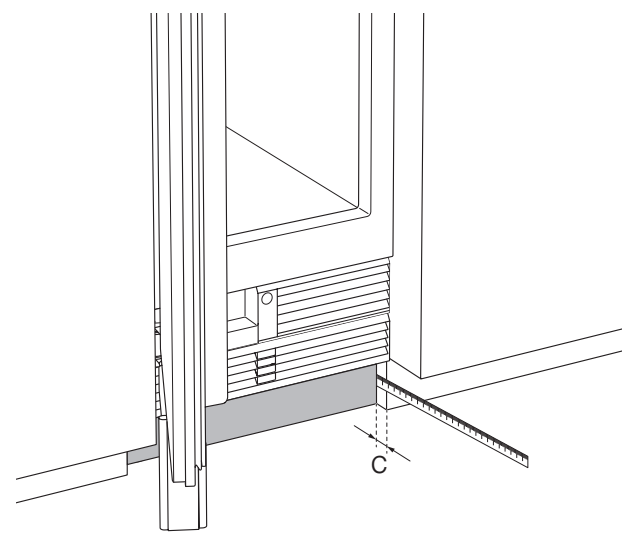
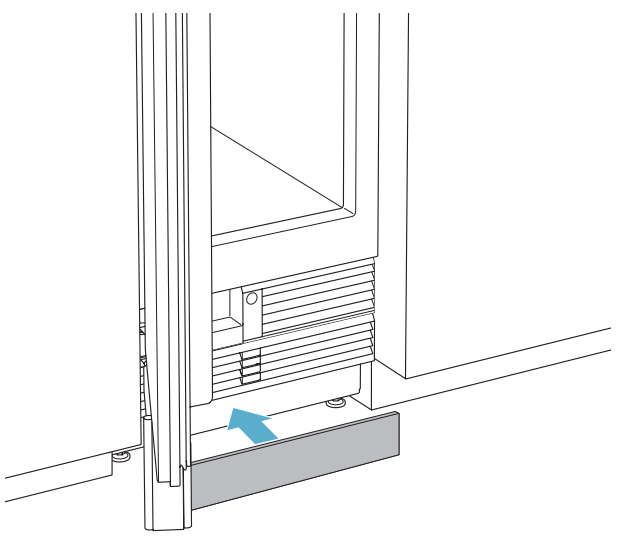
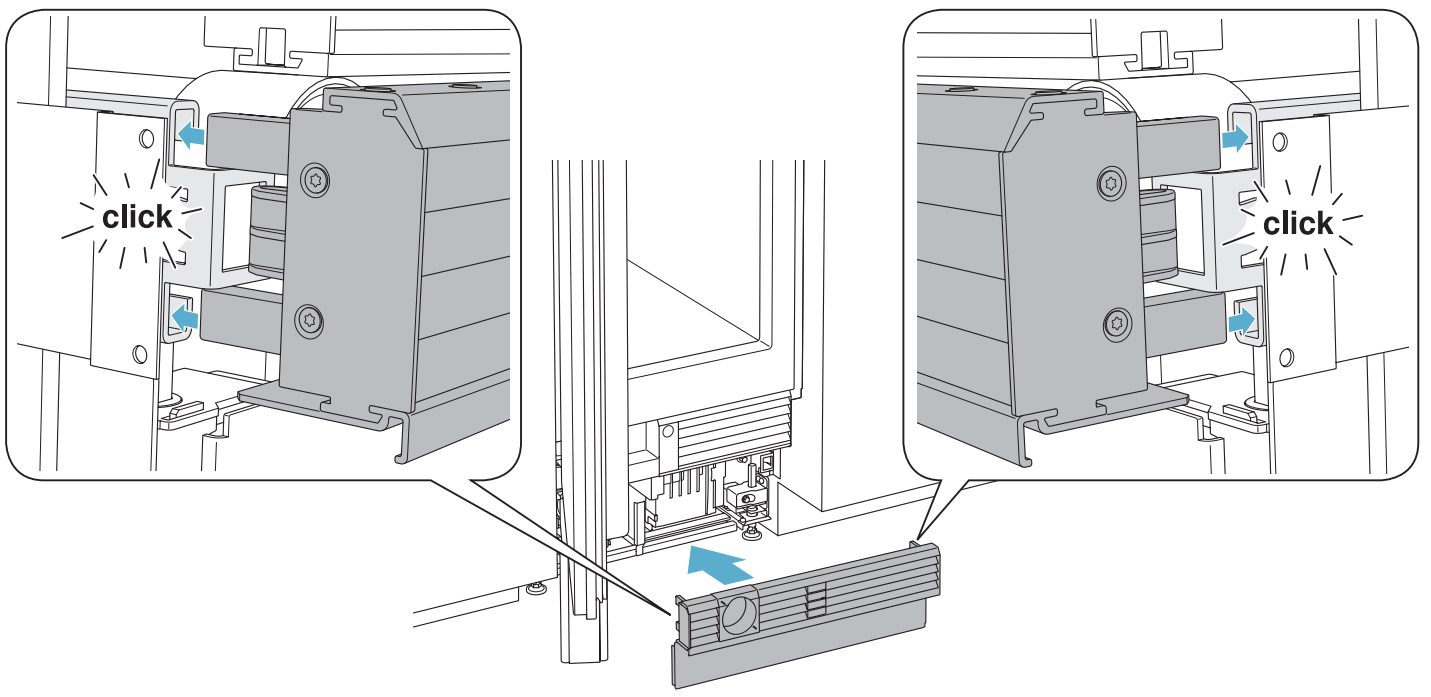
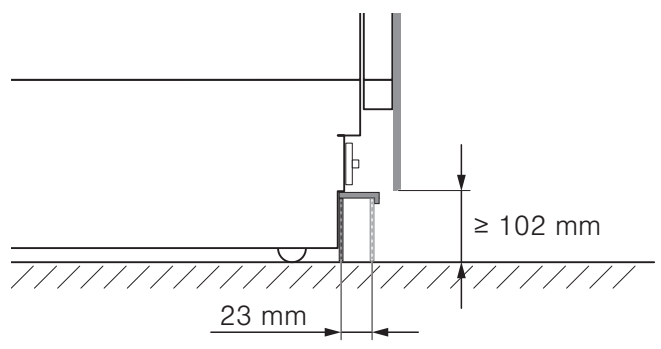
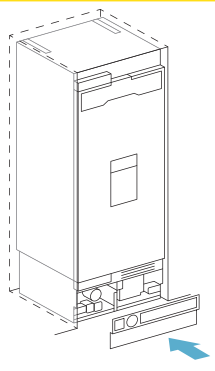
4x15   8x



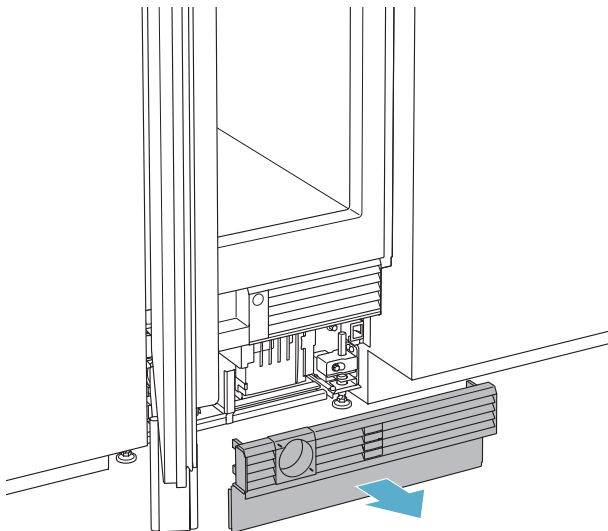
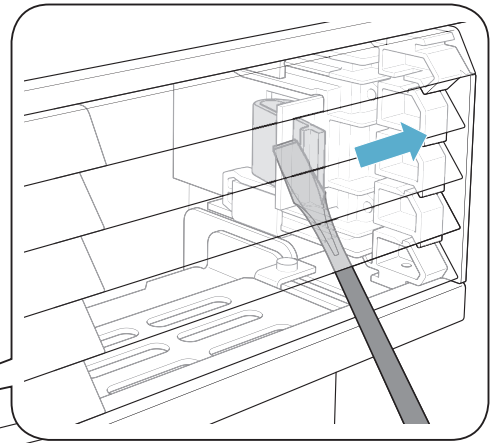
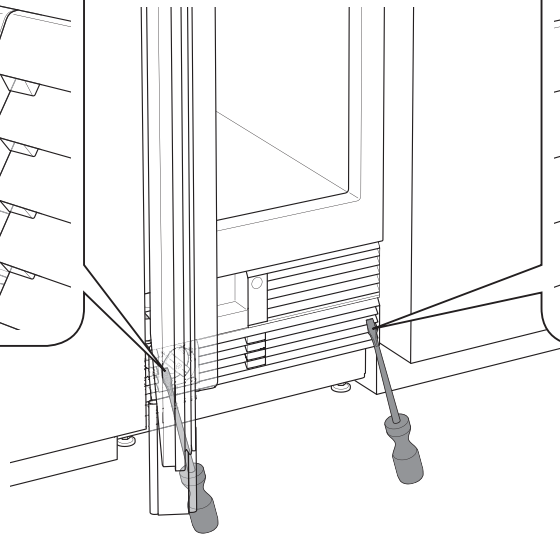
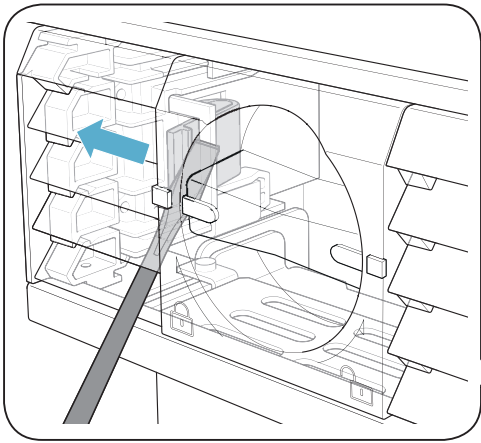
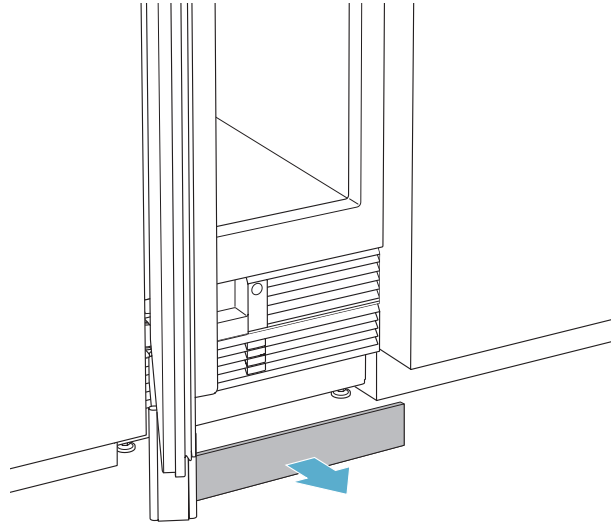


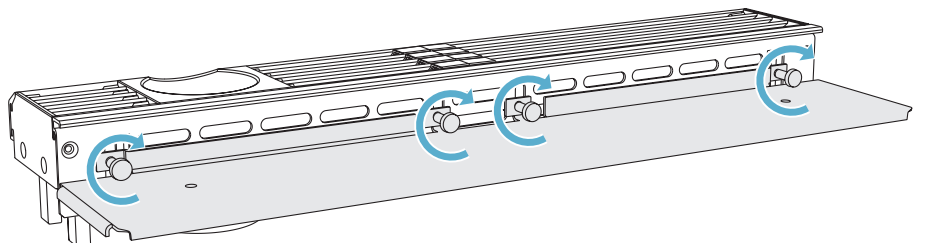
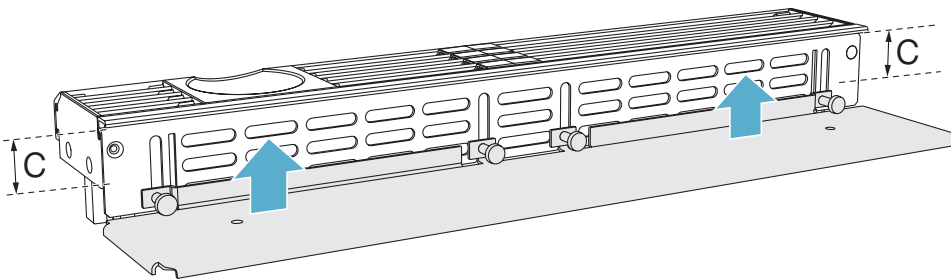
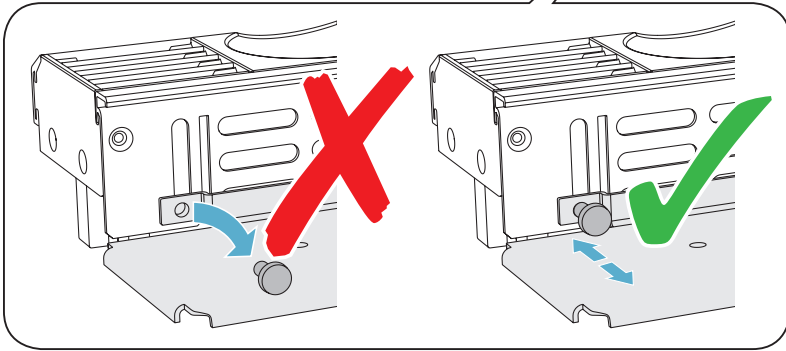
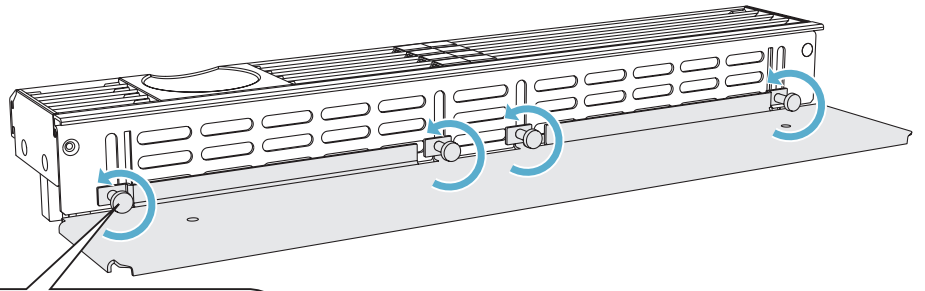
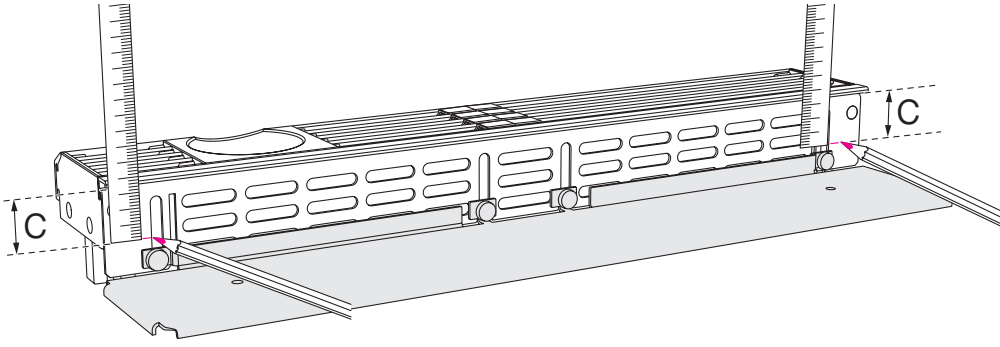
A
B
C
D



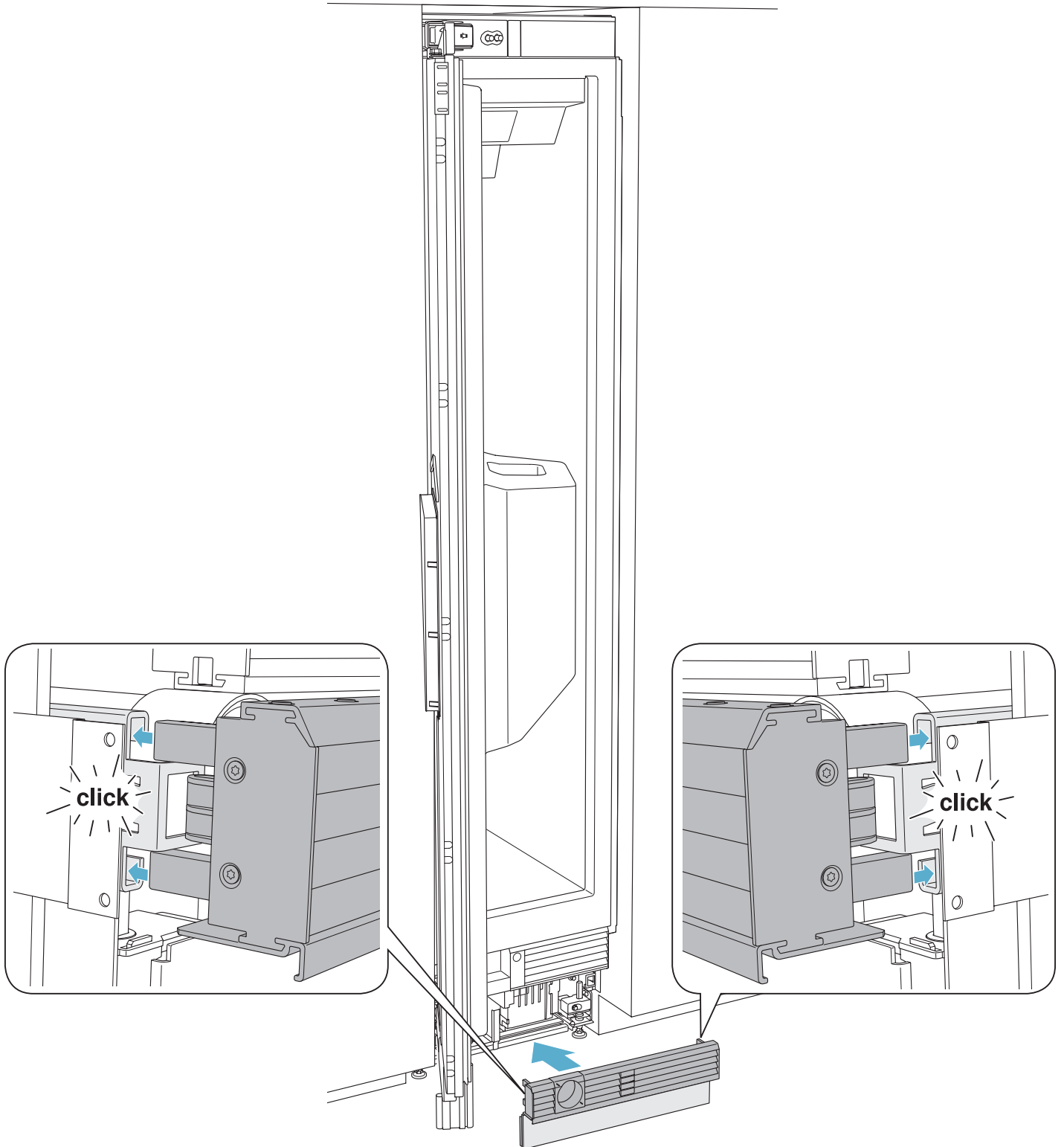
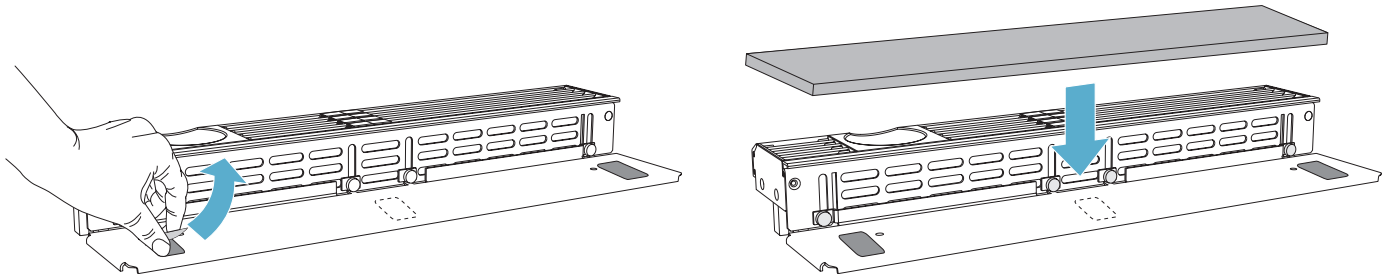


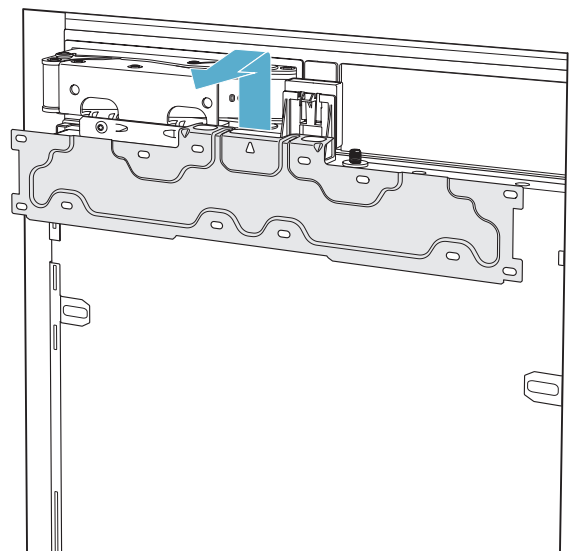
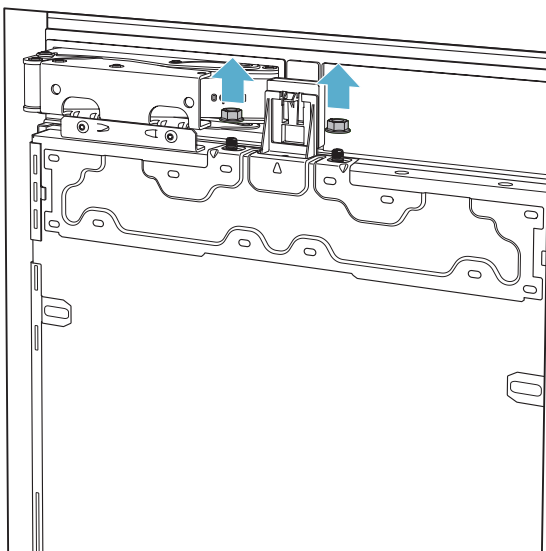
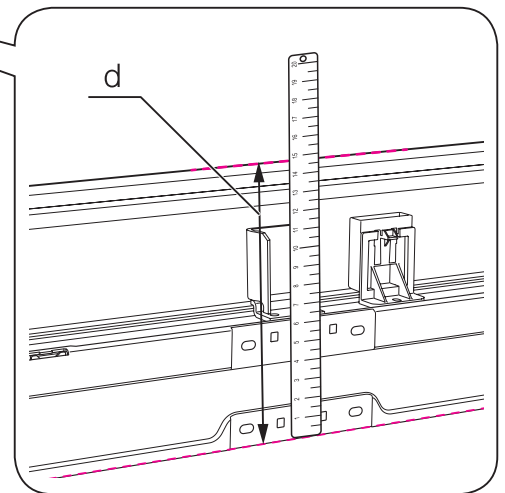
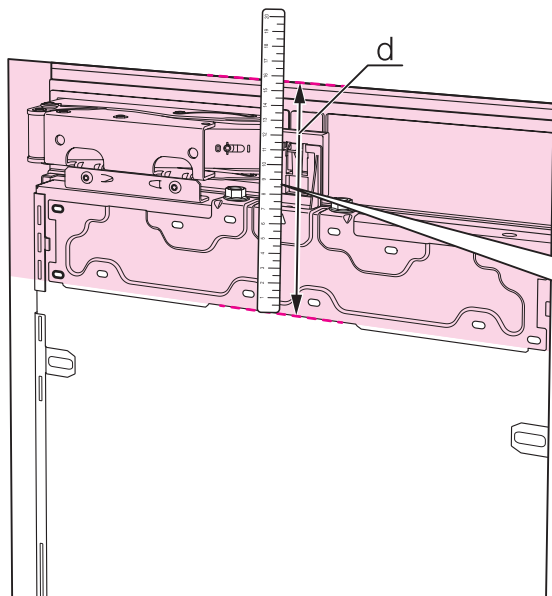
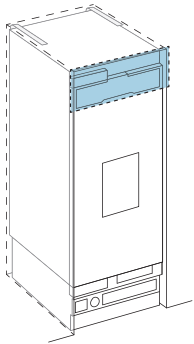
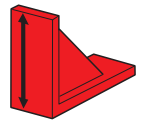
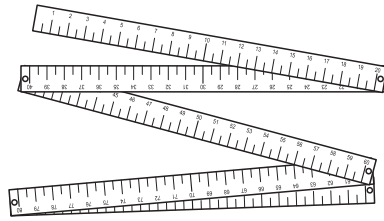
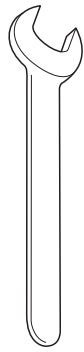
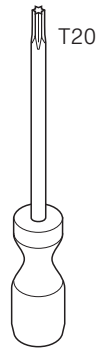
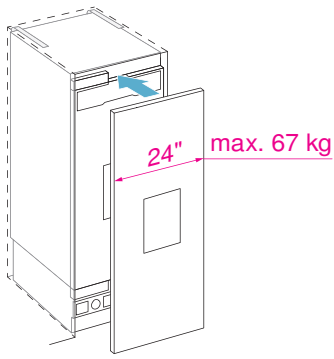
- A
- B
- C
- D



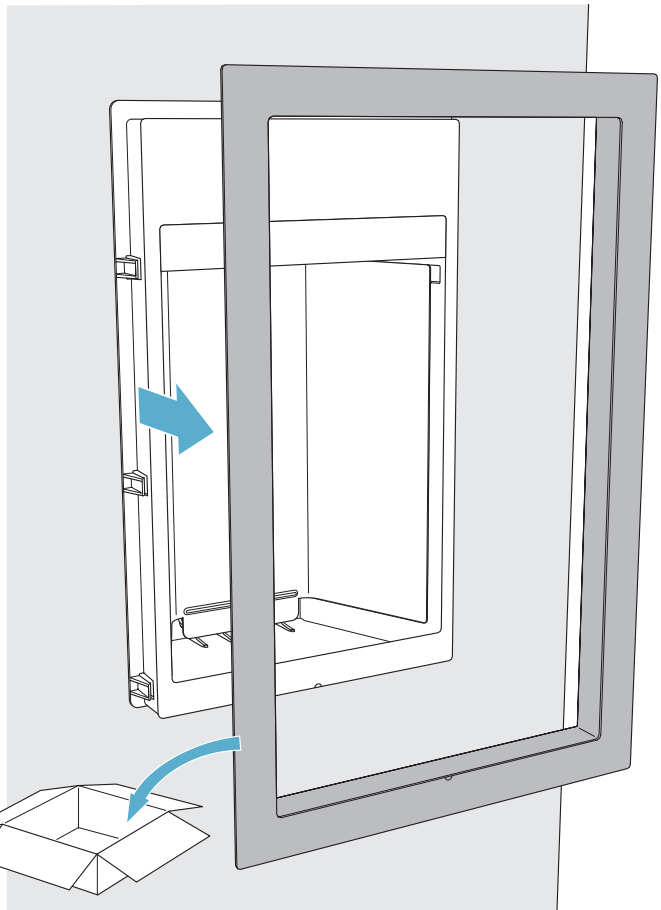
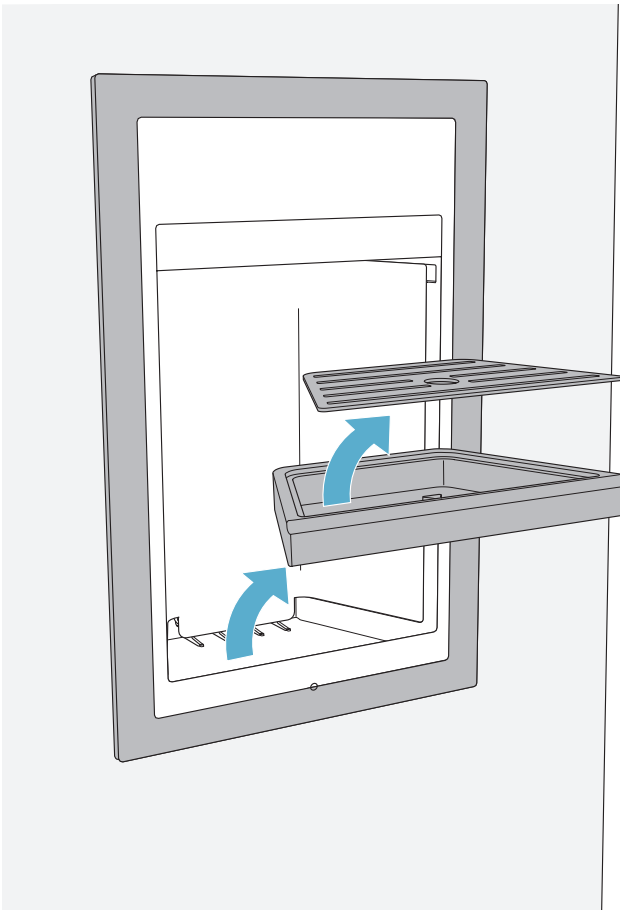
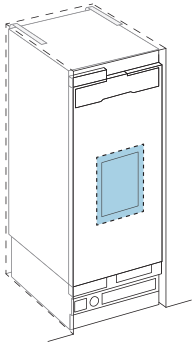


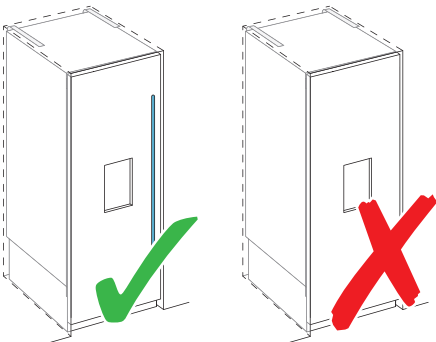
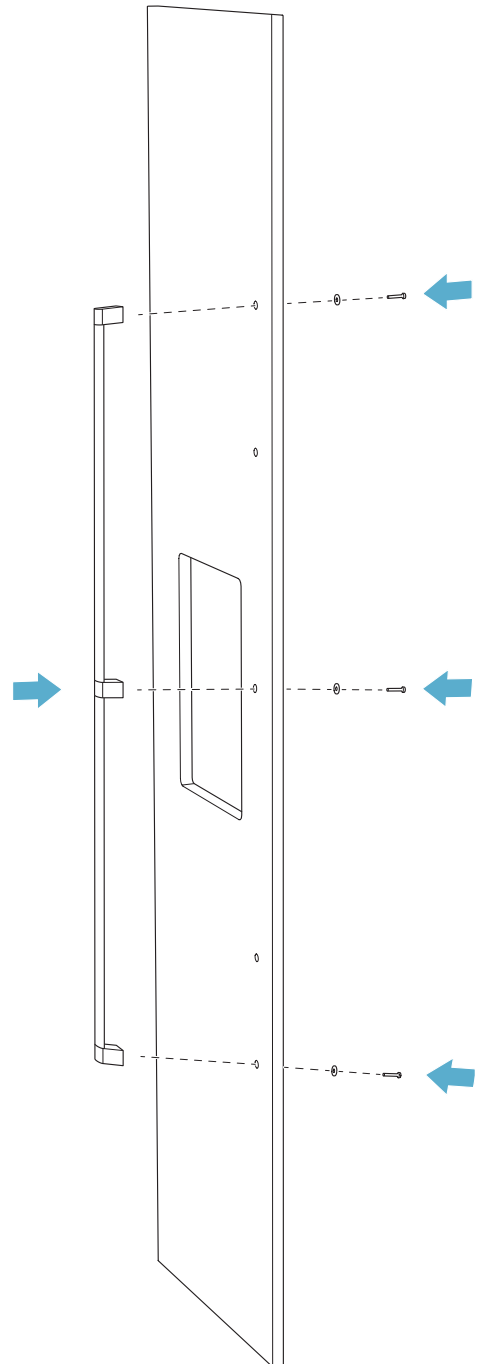
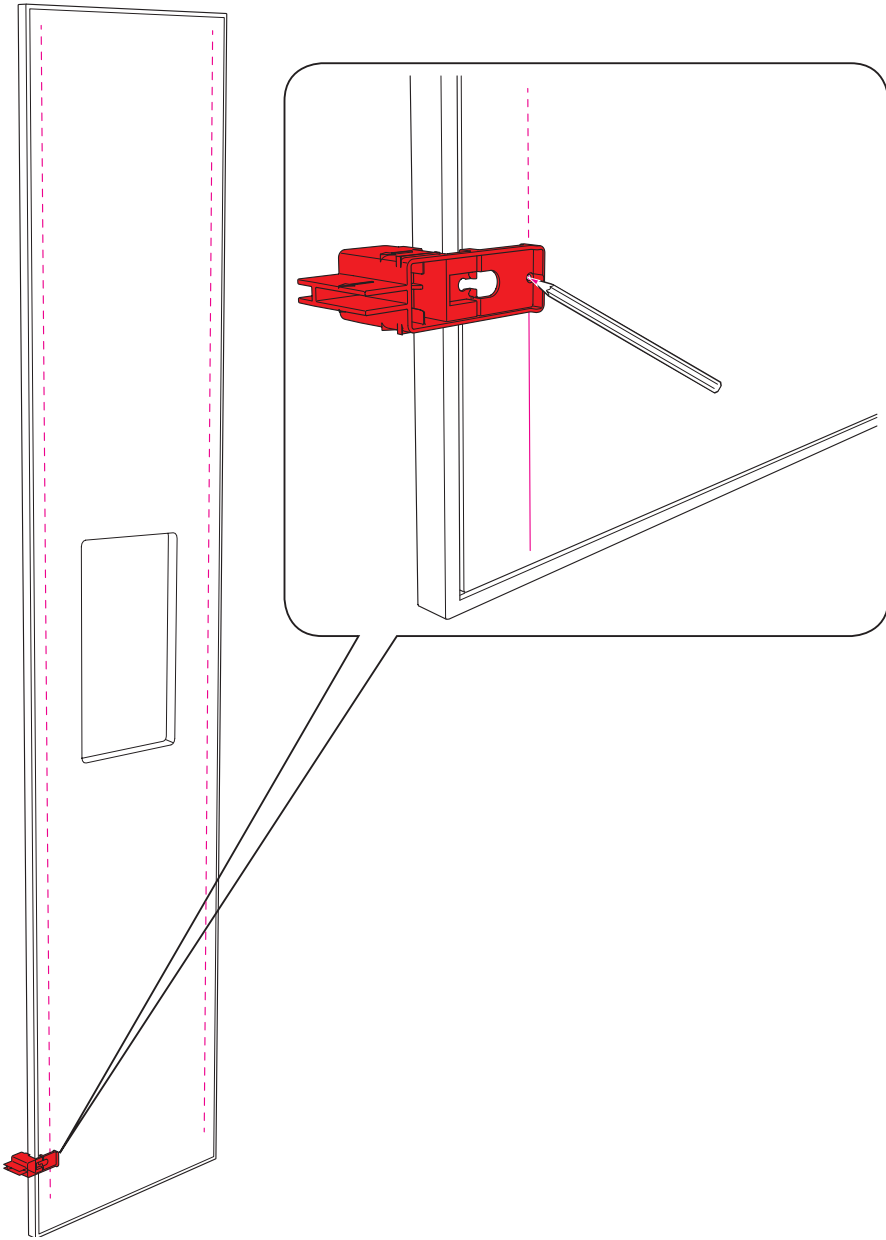
- A
- B
- C
- D



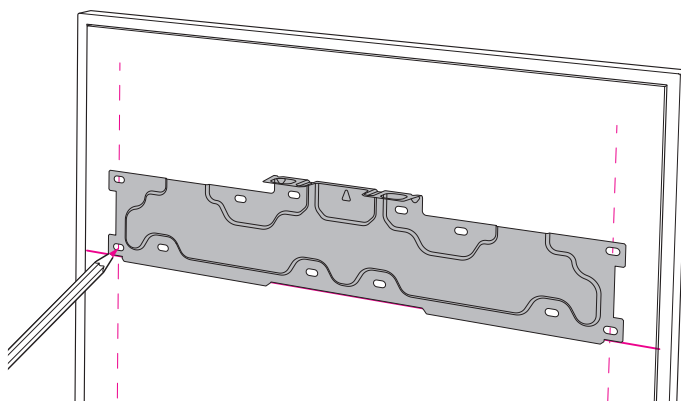
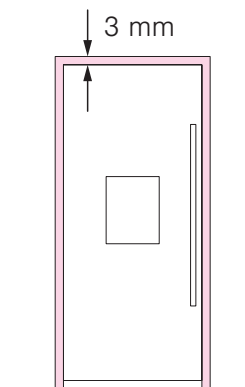
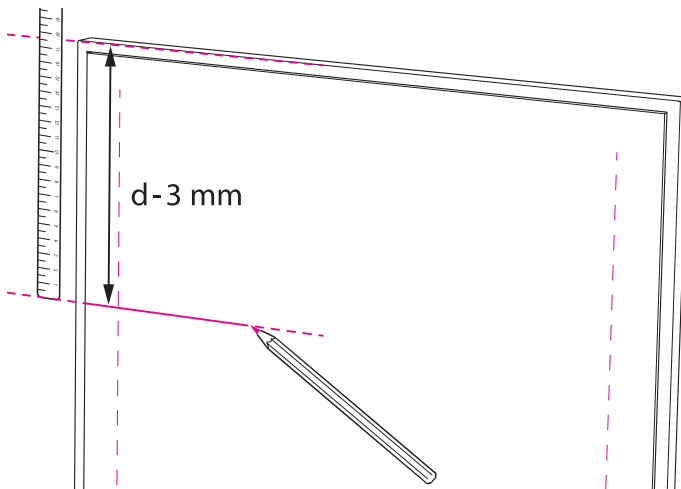



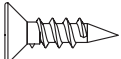
- A
- B
- C
- D

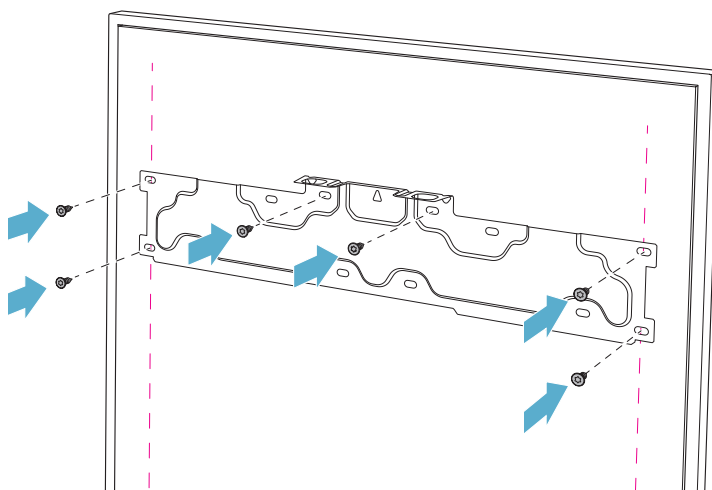




- A
- B
- C
- D

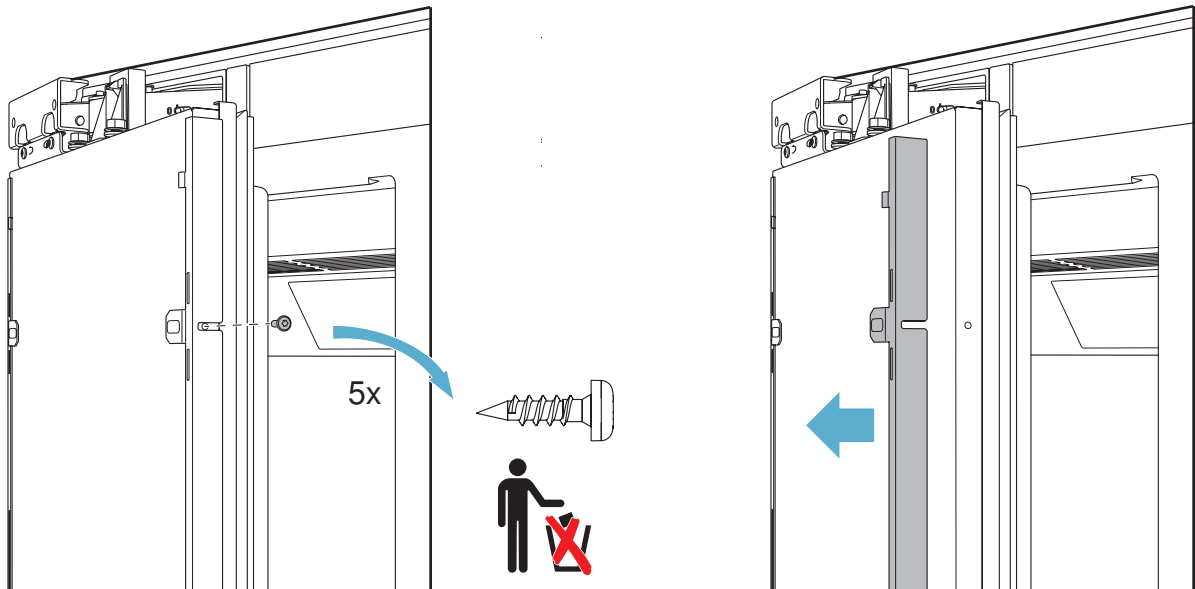
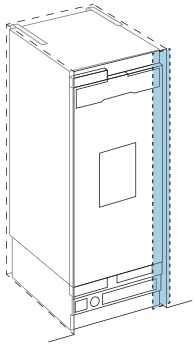
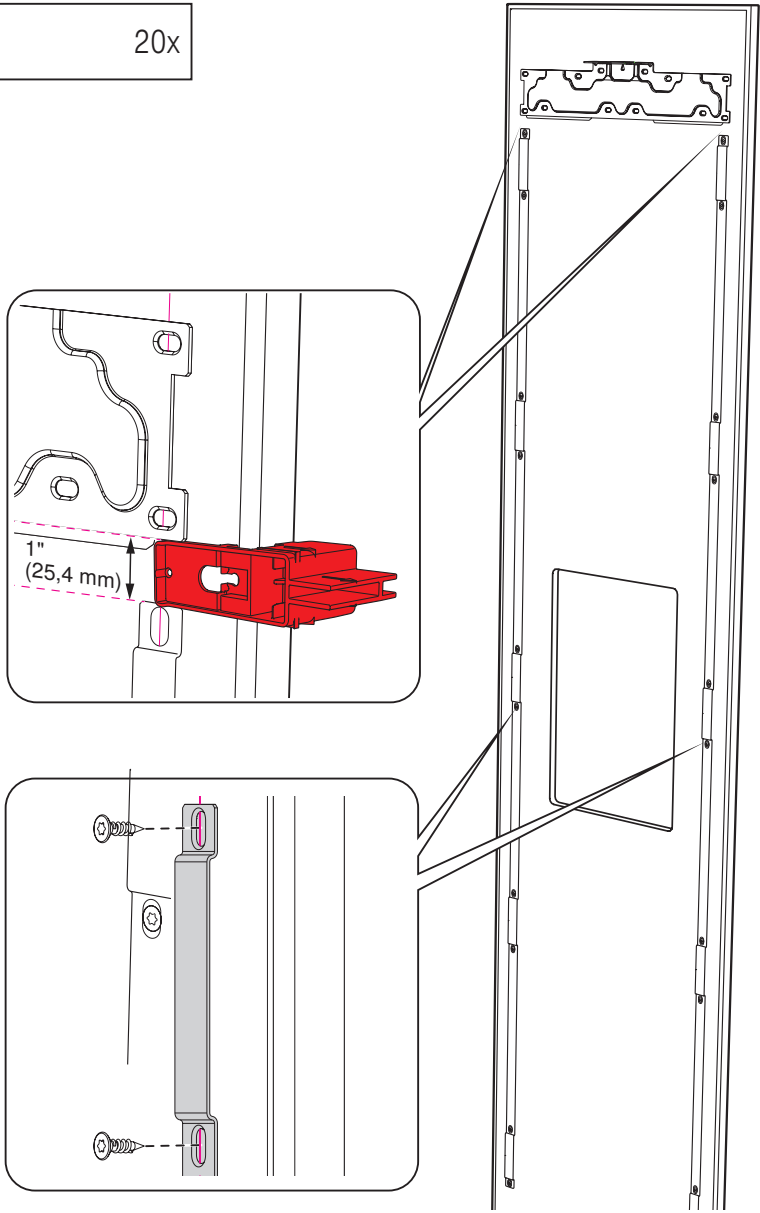


4x15   24" (610 mm) min. 6x

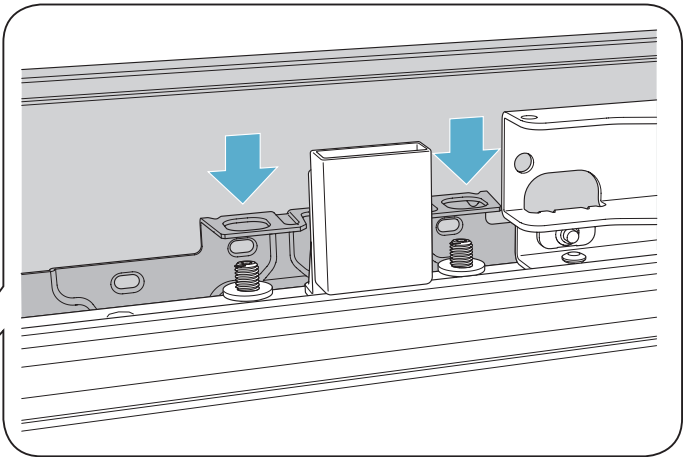
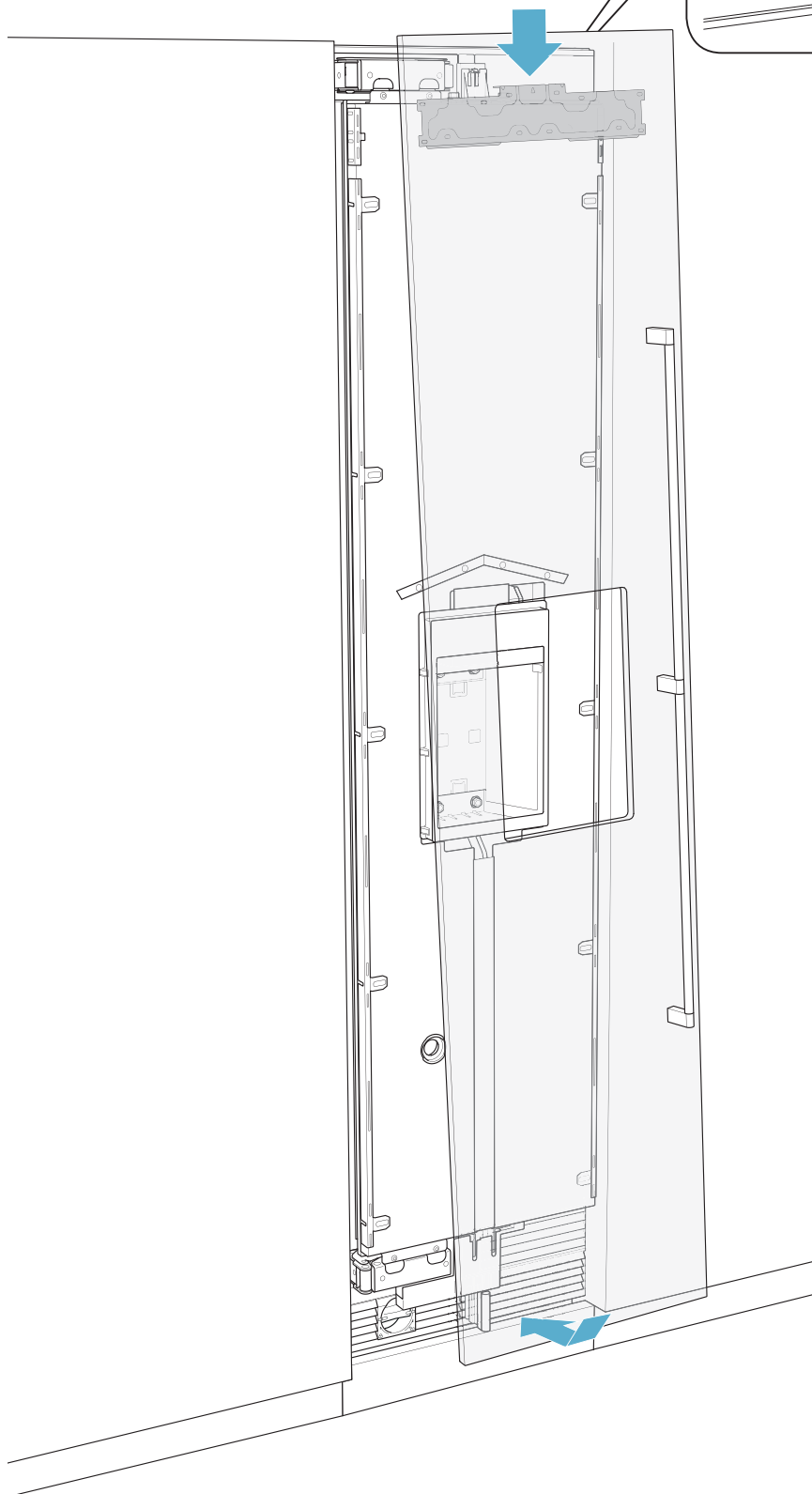


4x15   20x

A
B
C
D

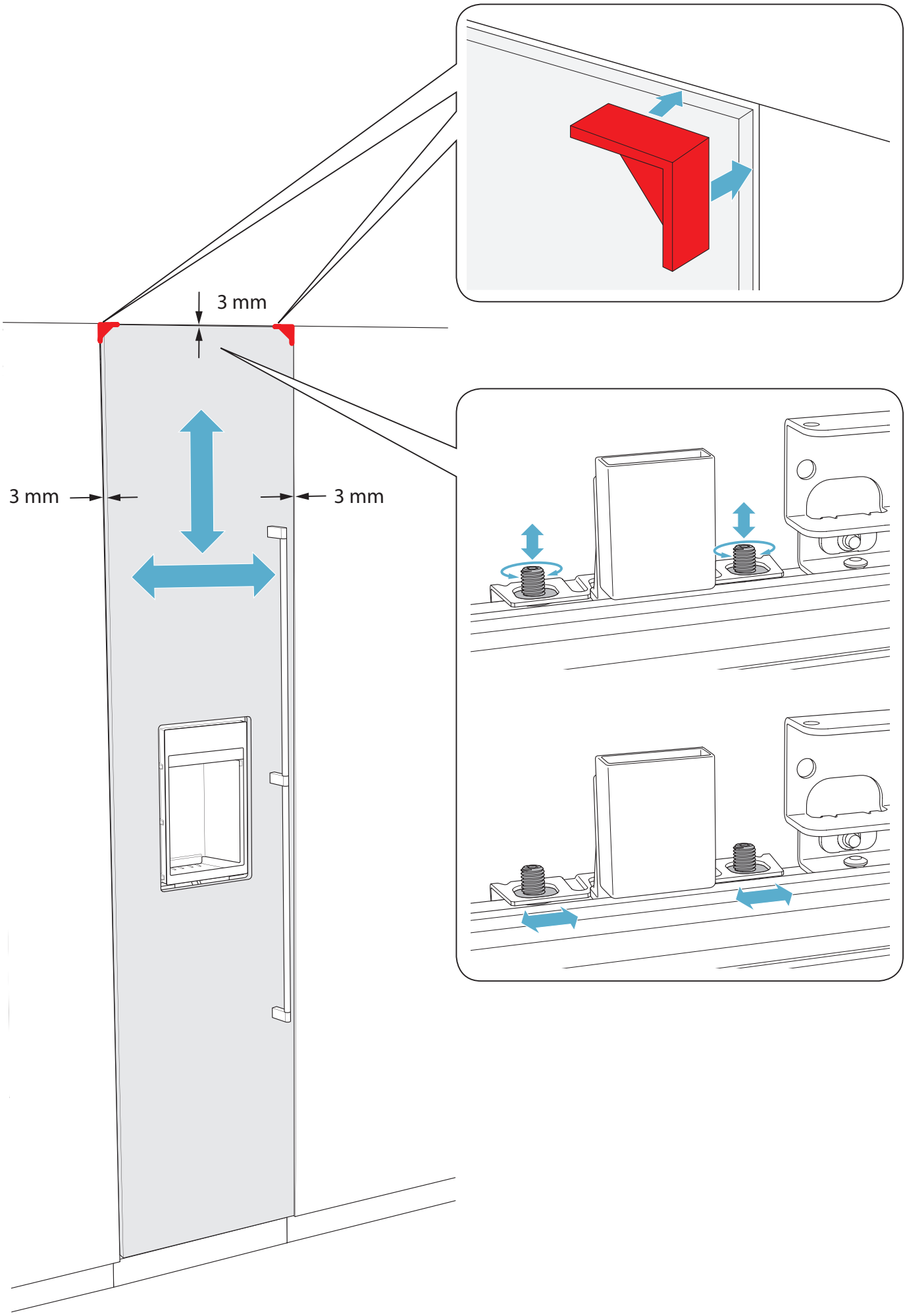


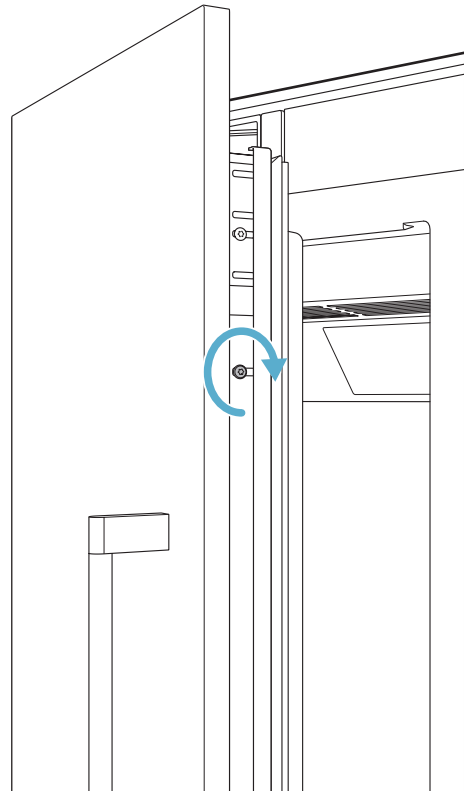
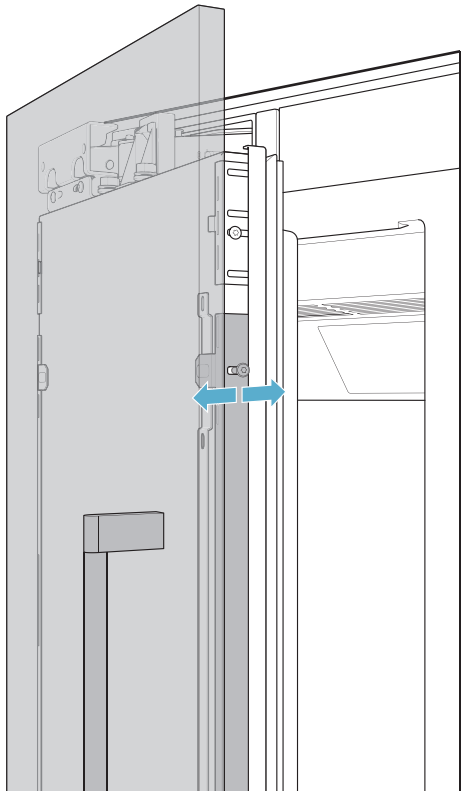
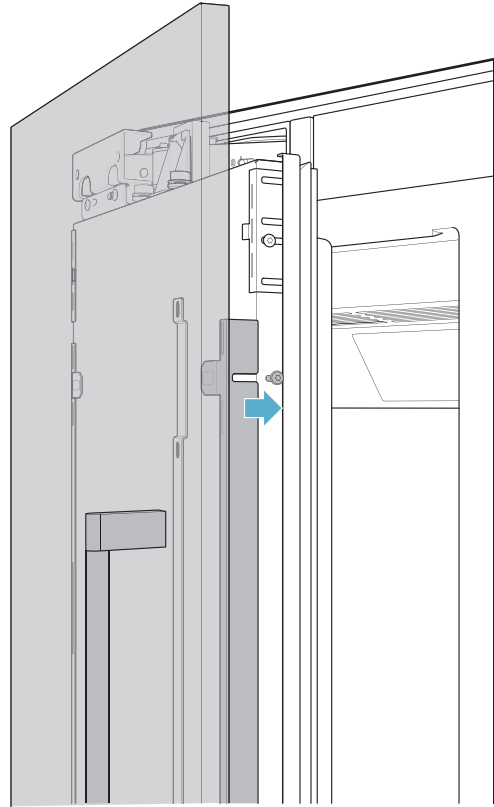
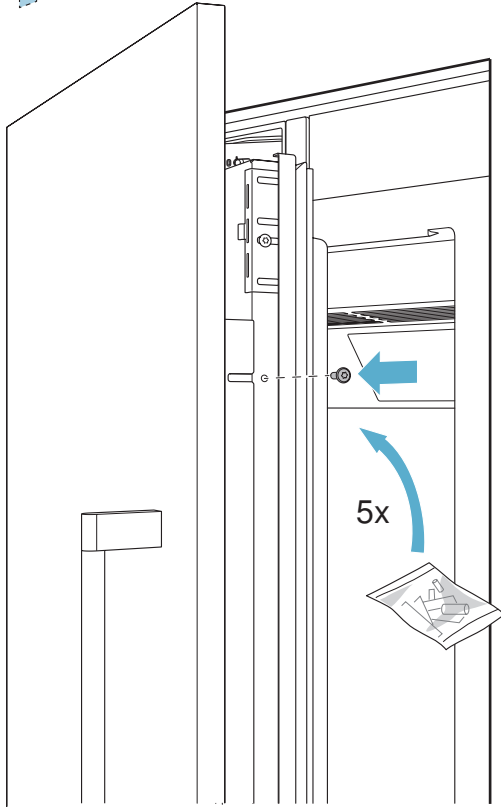
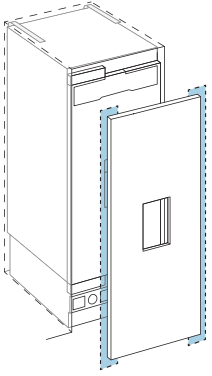
- A
- B
- C**
- D



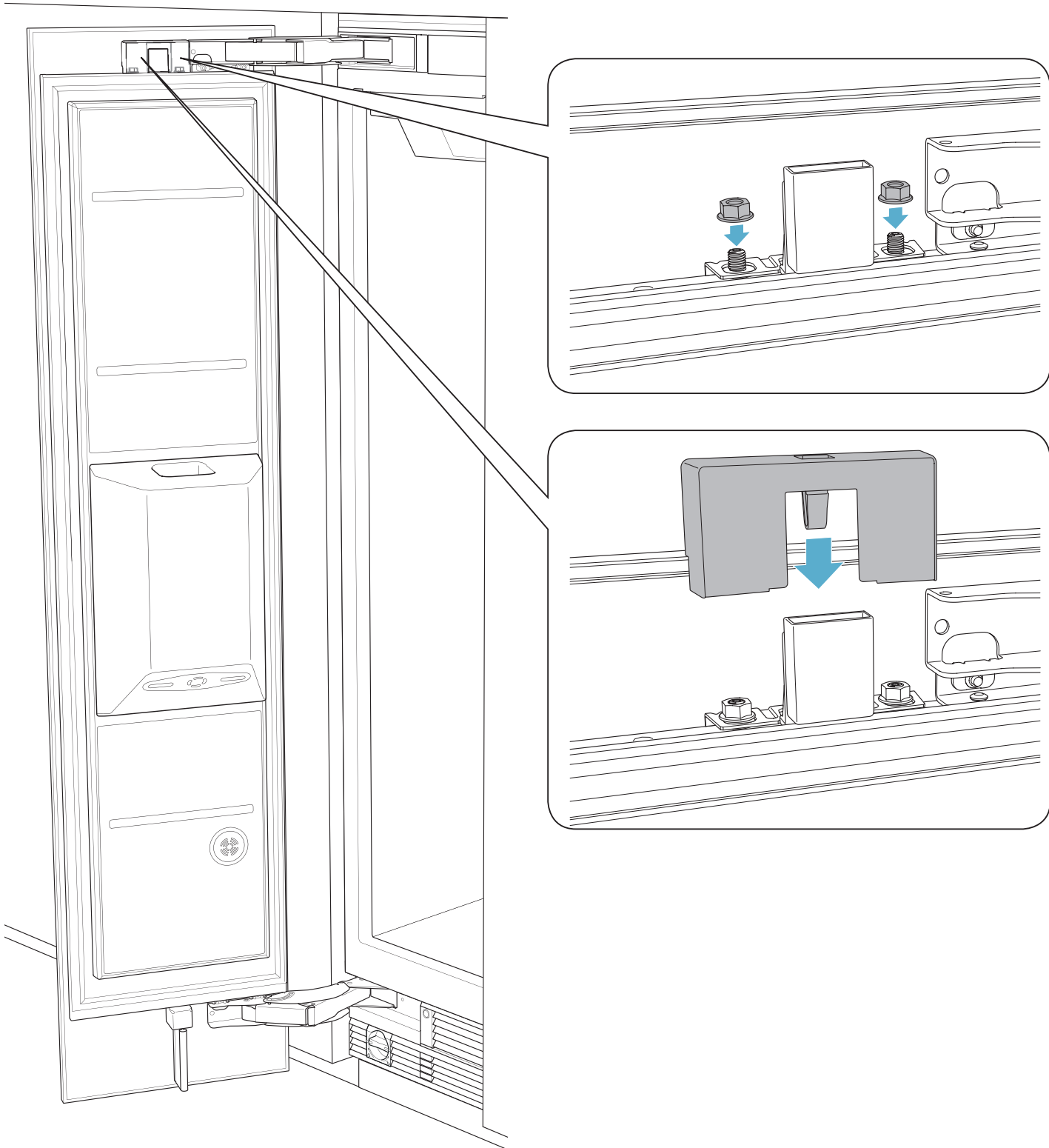


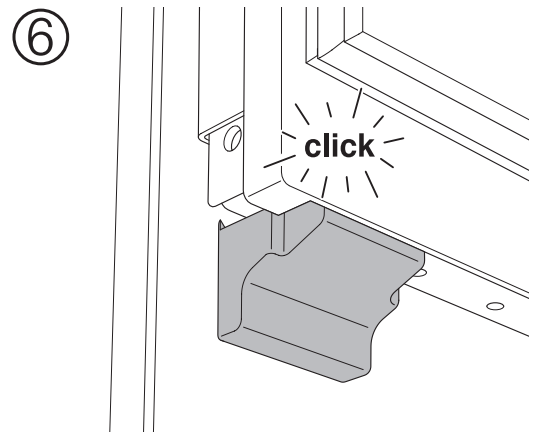
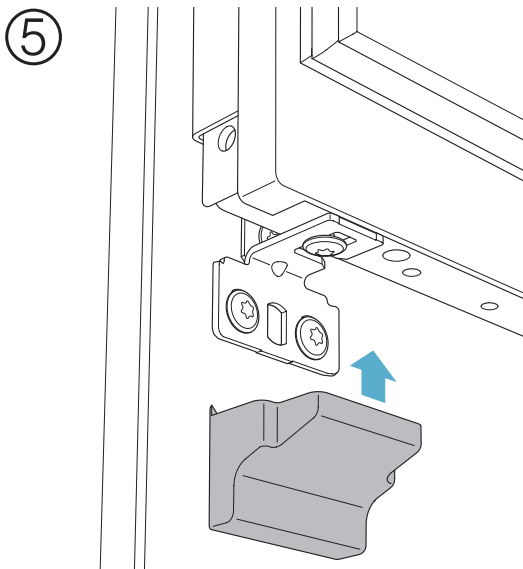
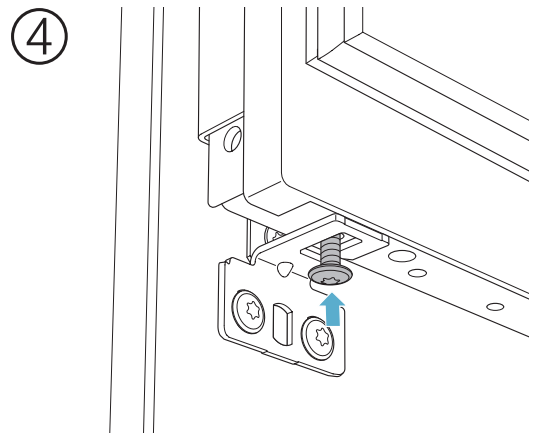
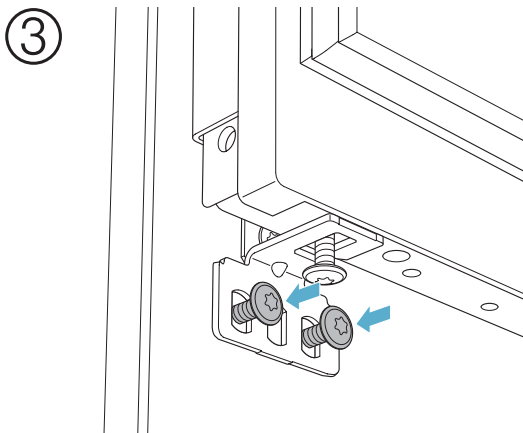
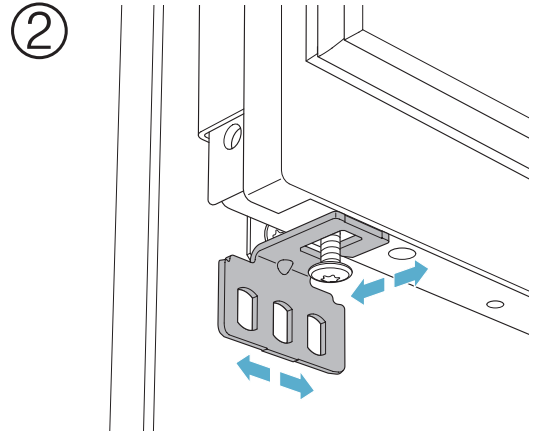
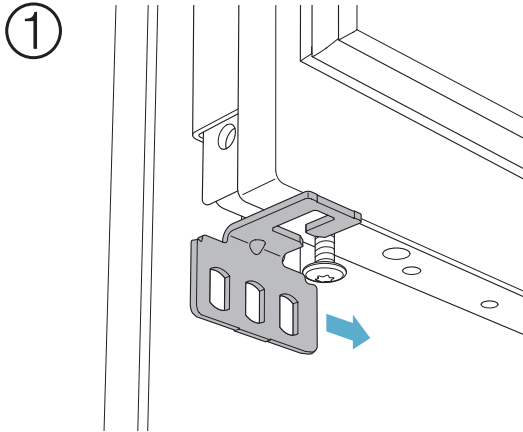
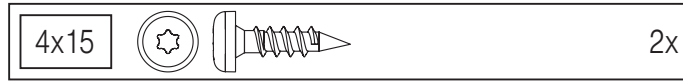
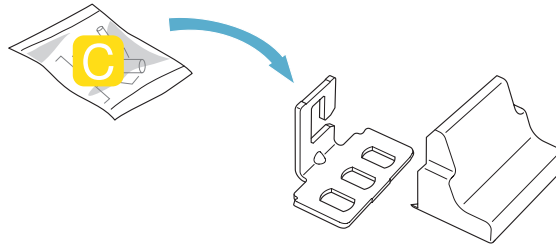
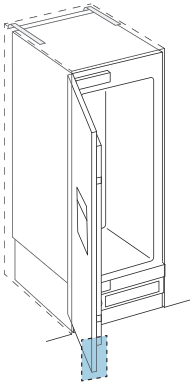
- A
- B
- C
- D



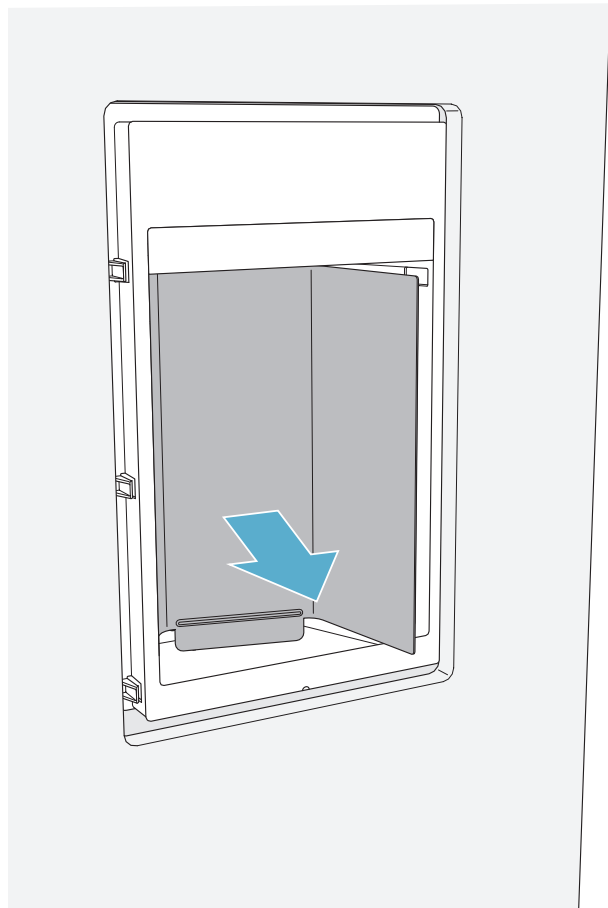
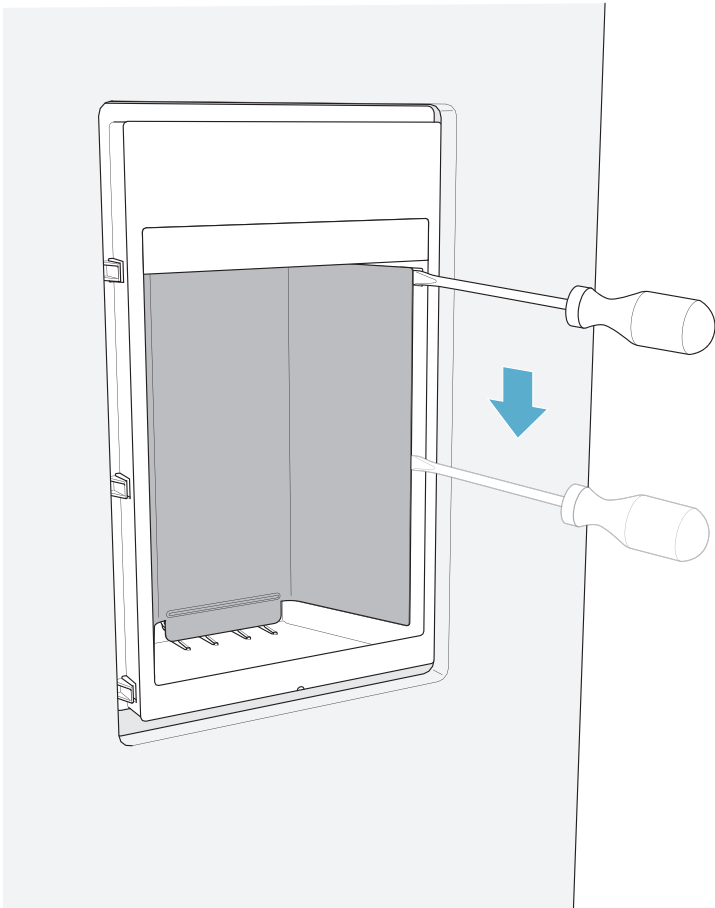
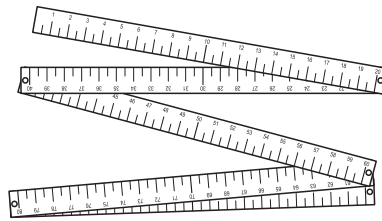
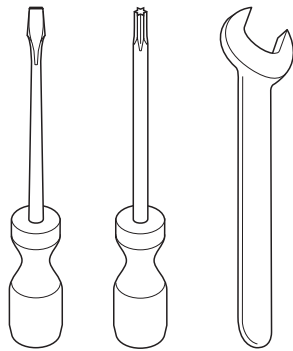
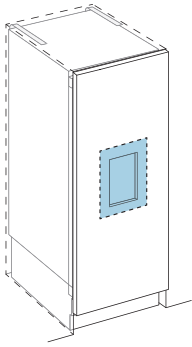


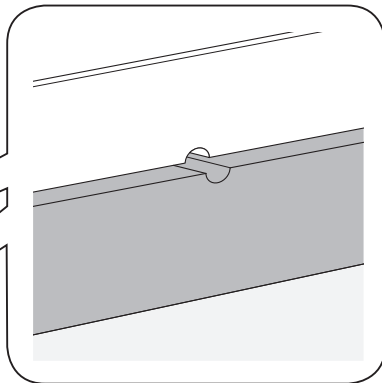
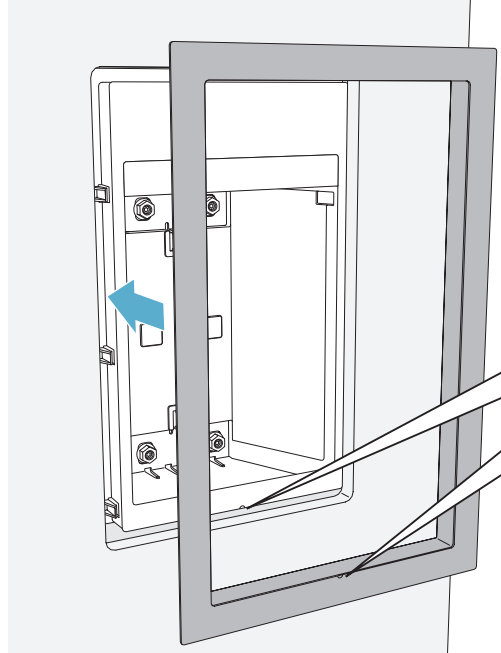
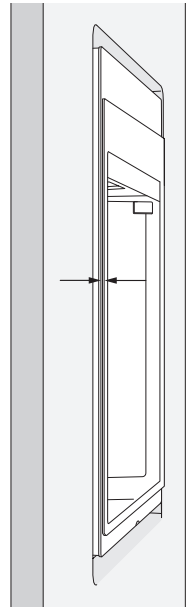
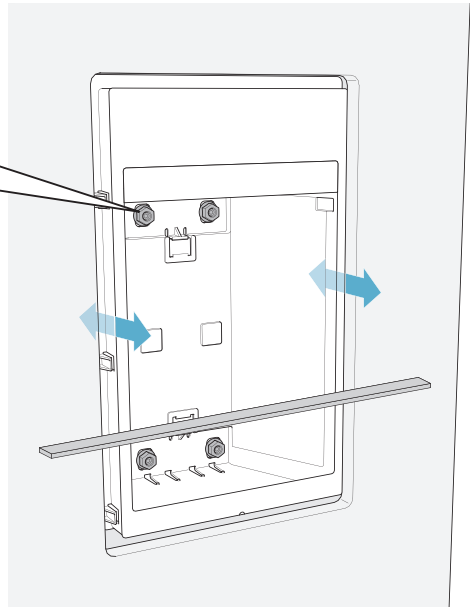
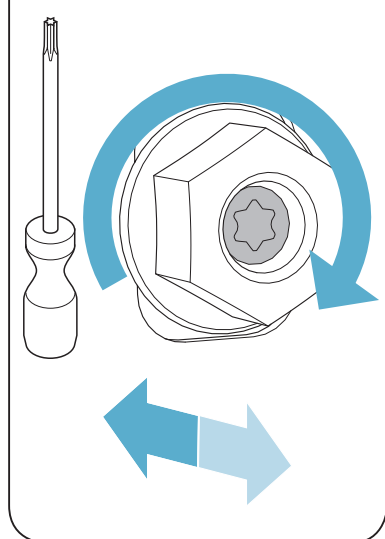
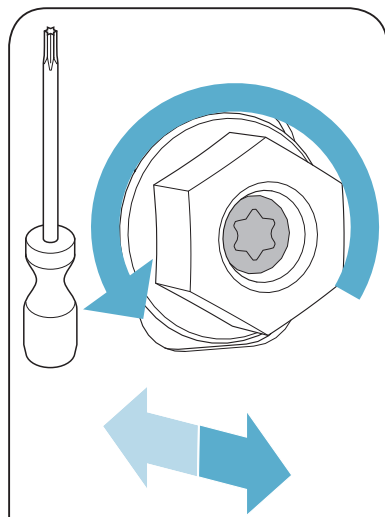
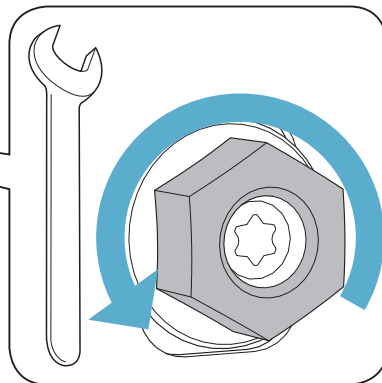
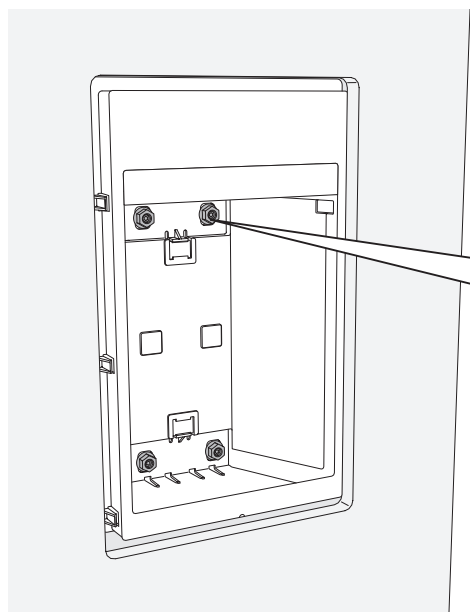
- A
- B
- C
- D



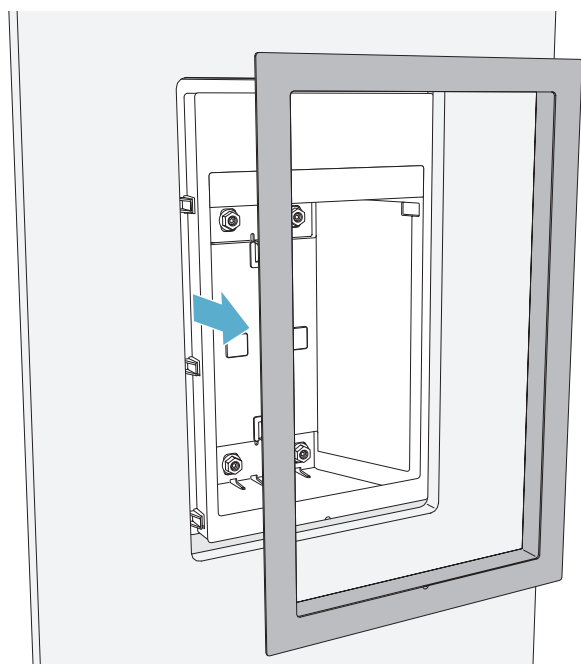
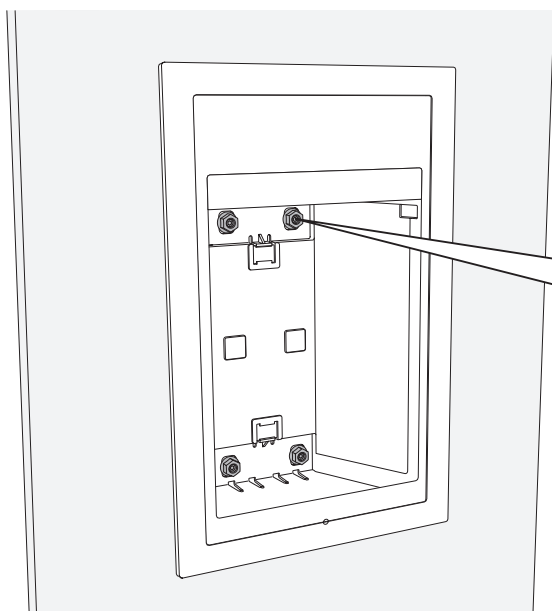
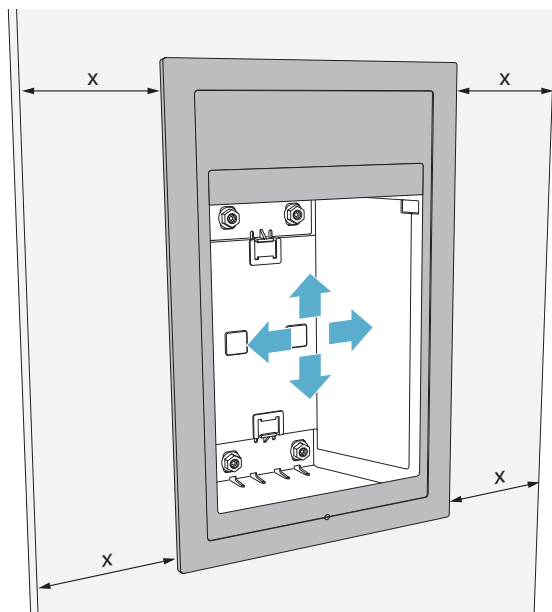


A
B
C
D

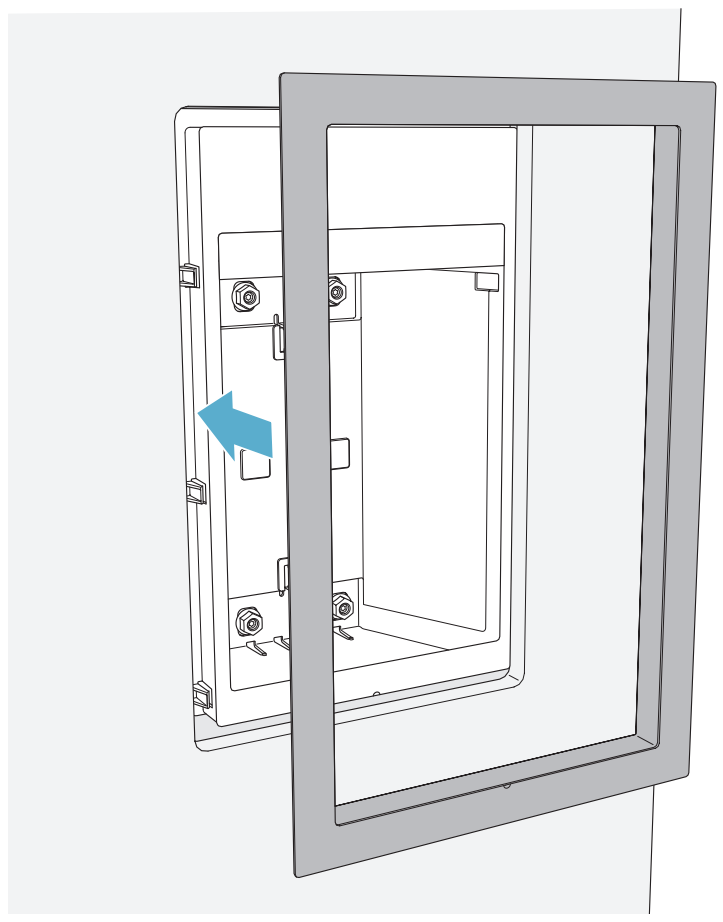
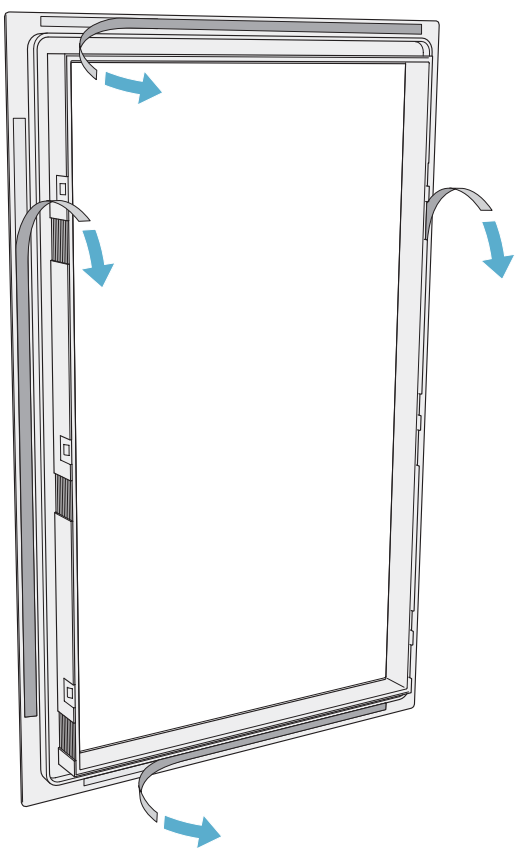
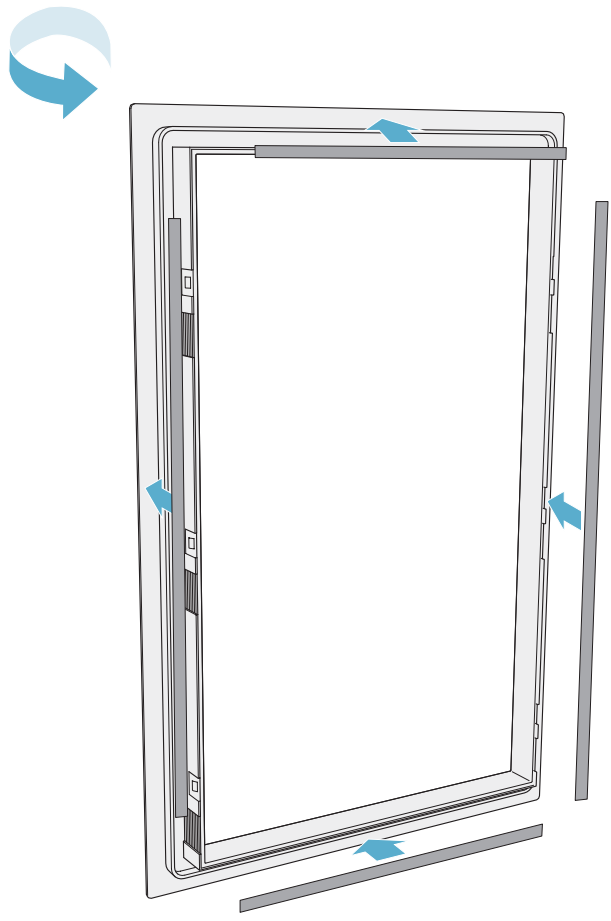
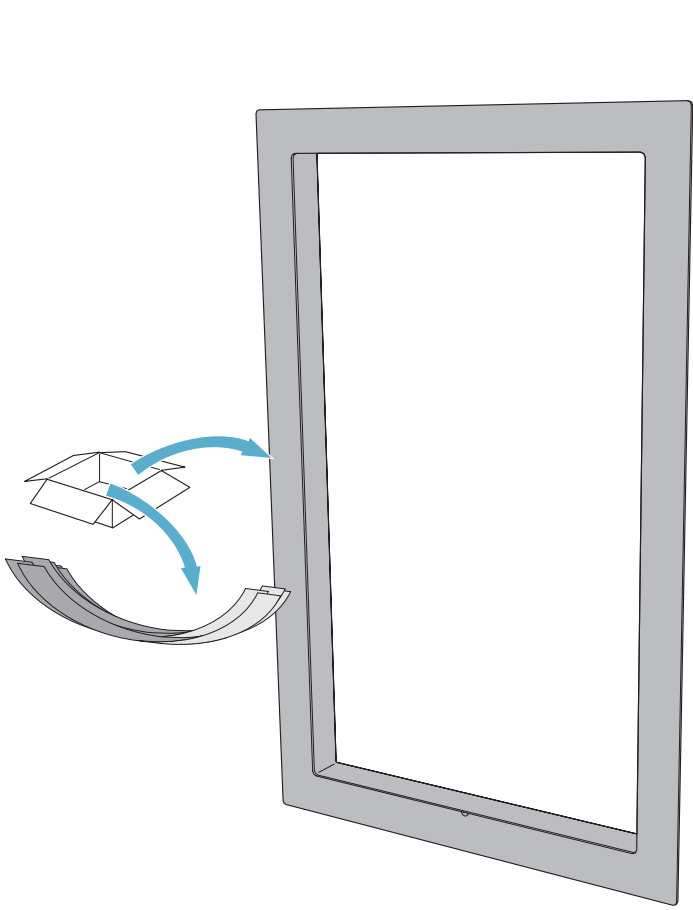




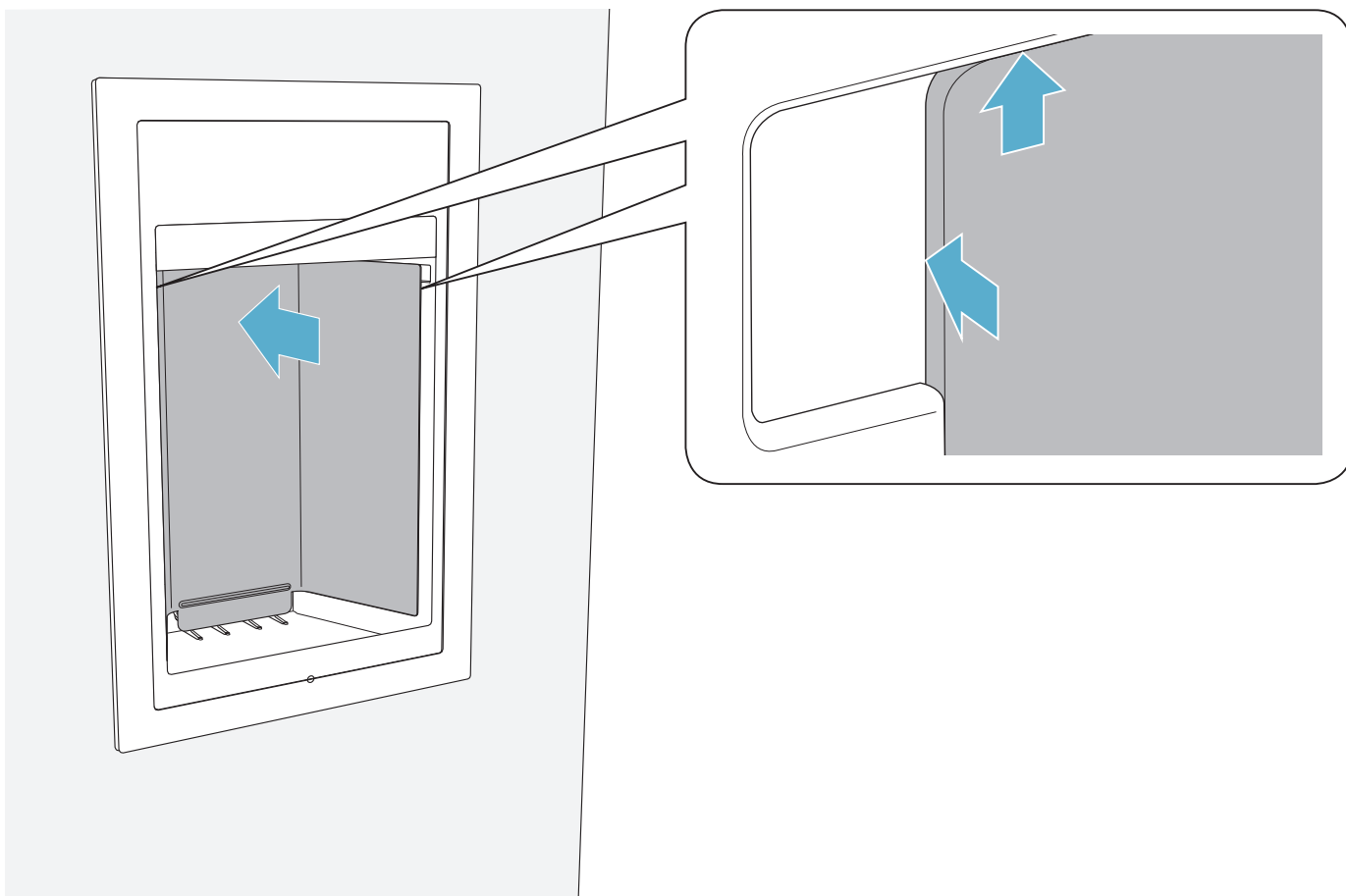
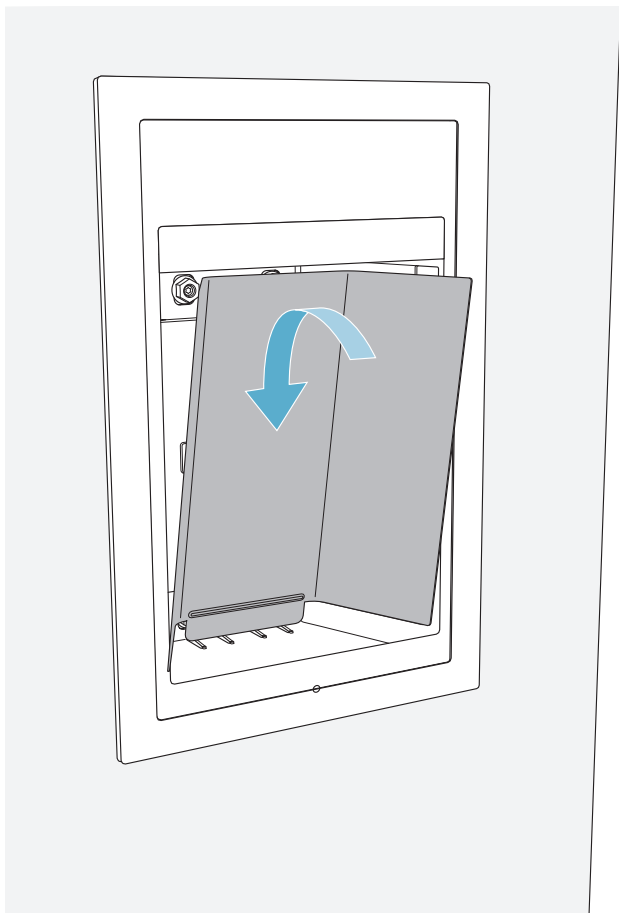
- A
- B
- C
- D

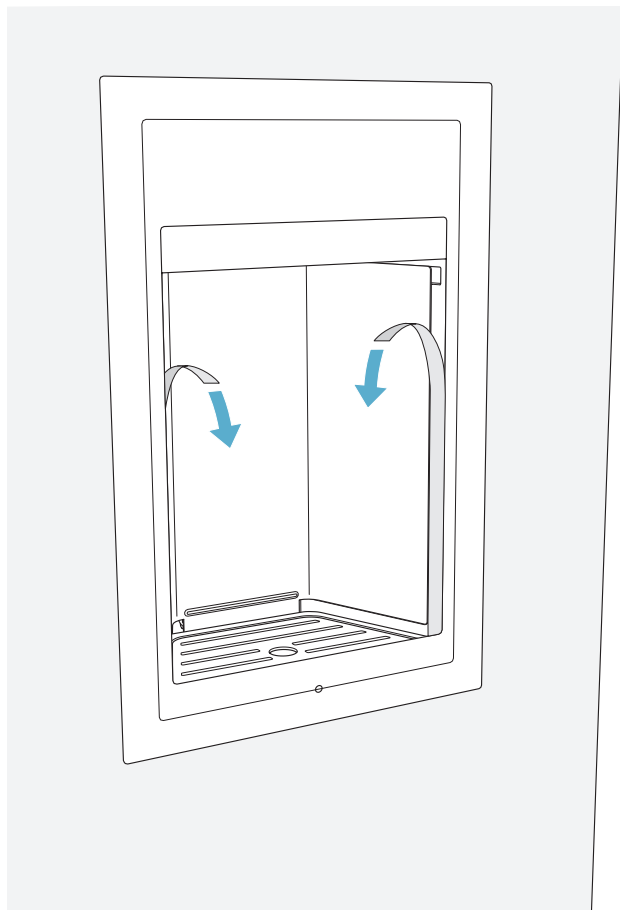
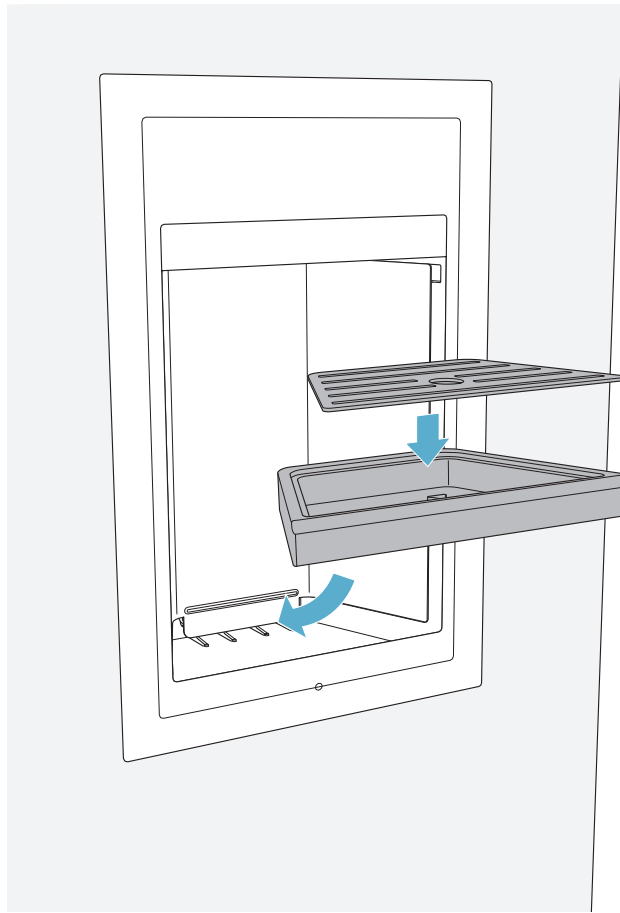


- A
- B
- C
- D

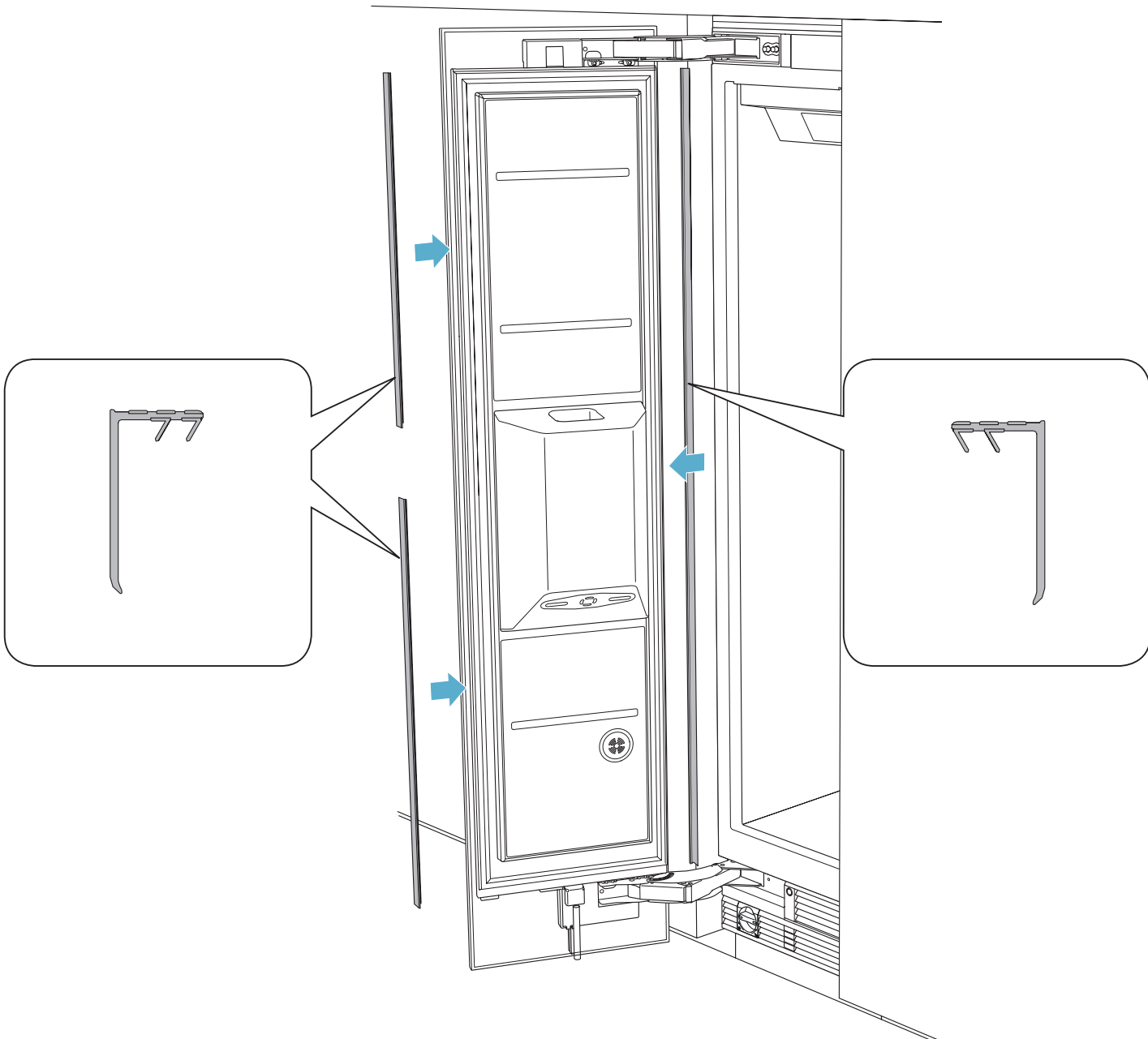
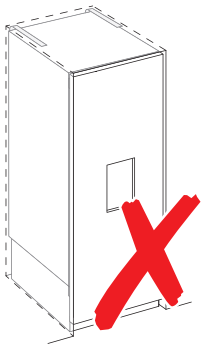


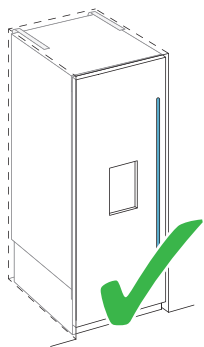
- A
- B
- C
- D



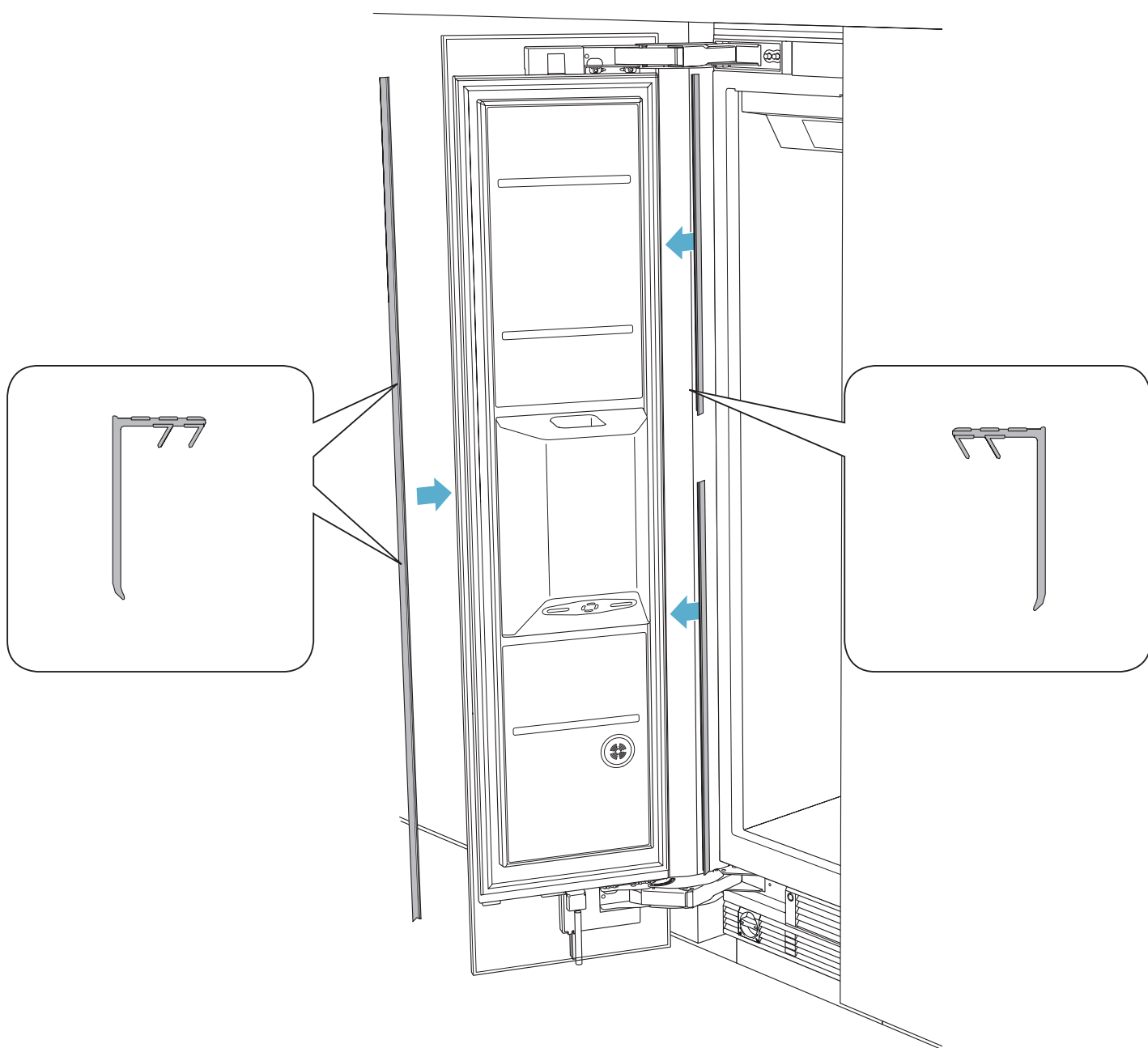


- A
- B
- C
- D

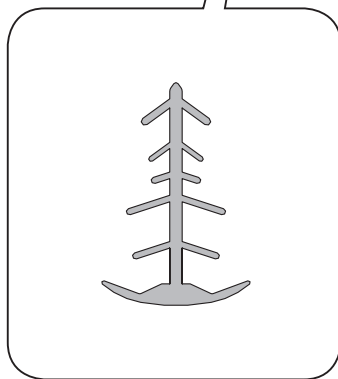
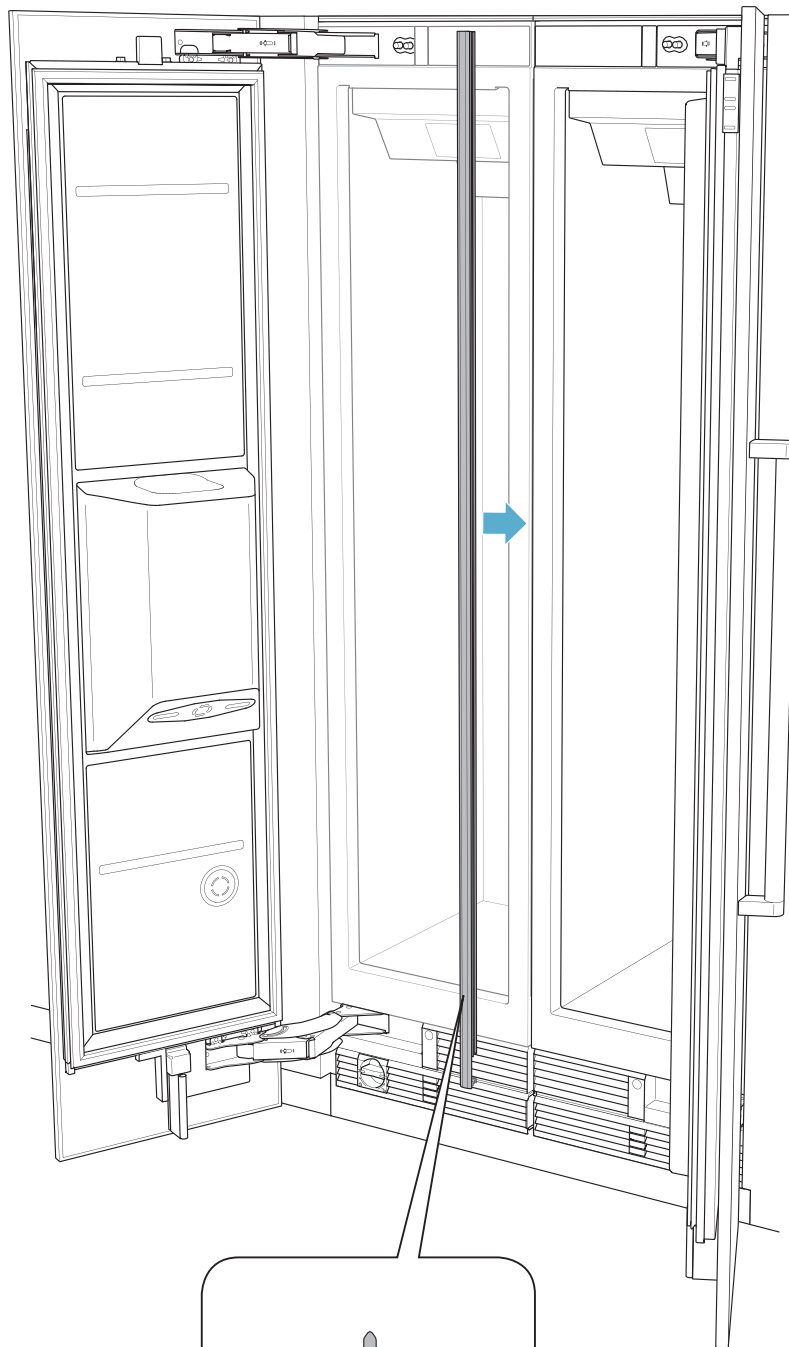


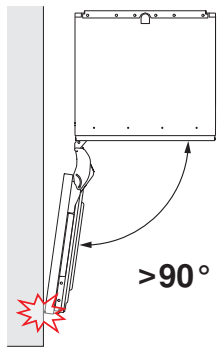
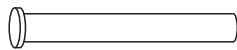


- A
- B
- C
- D

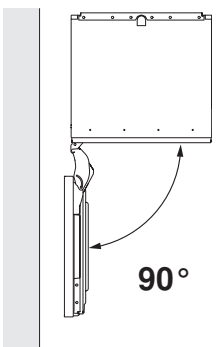


- A
- B
- C
- D

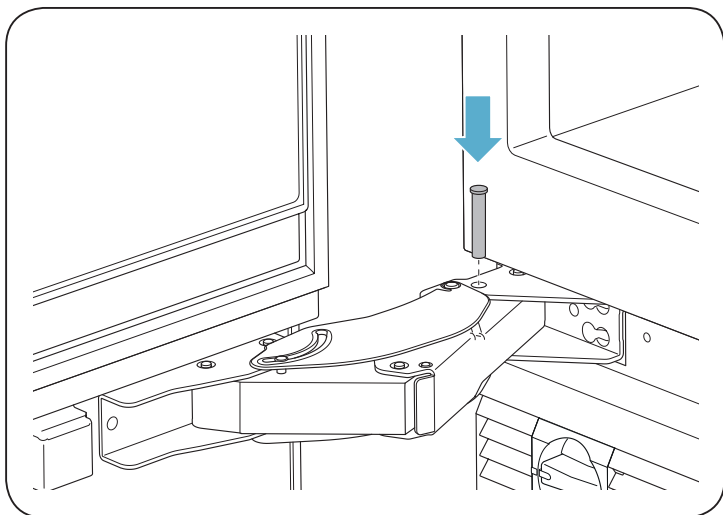
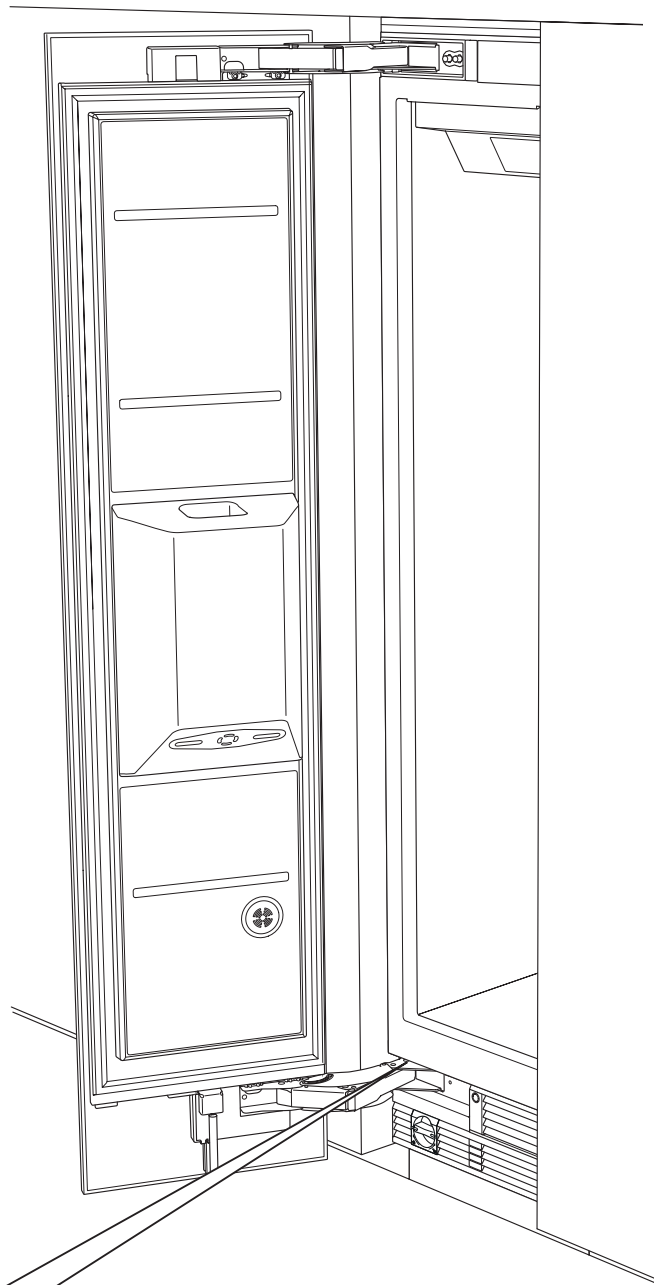


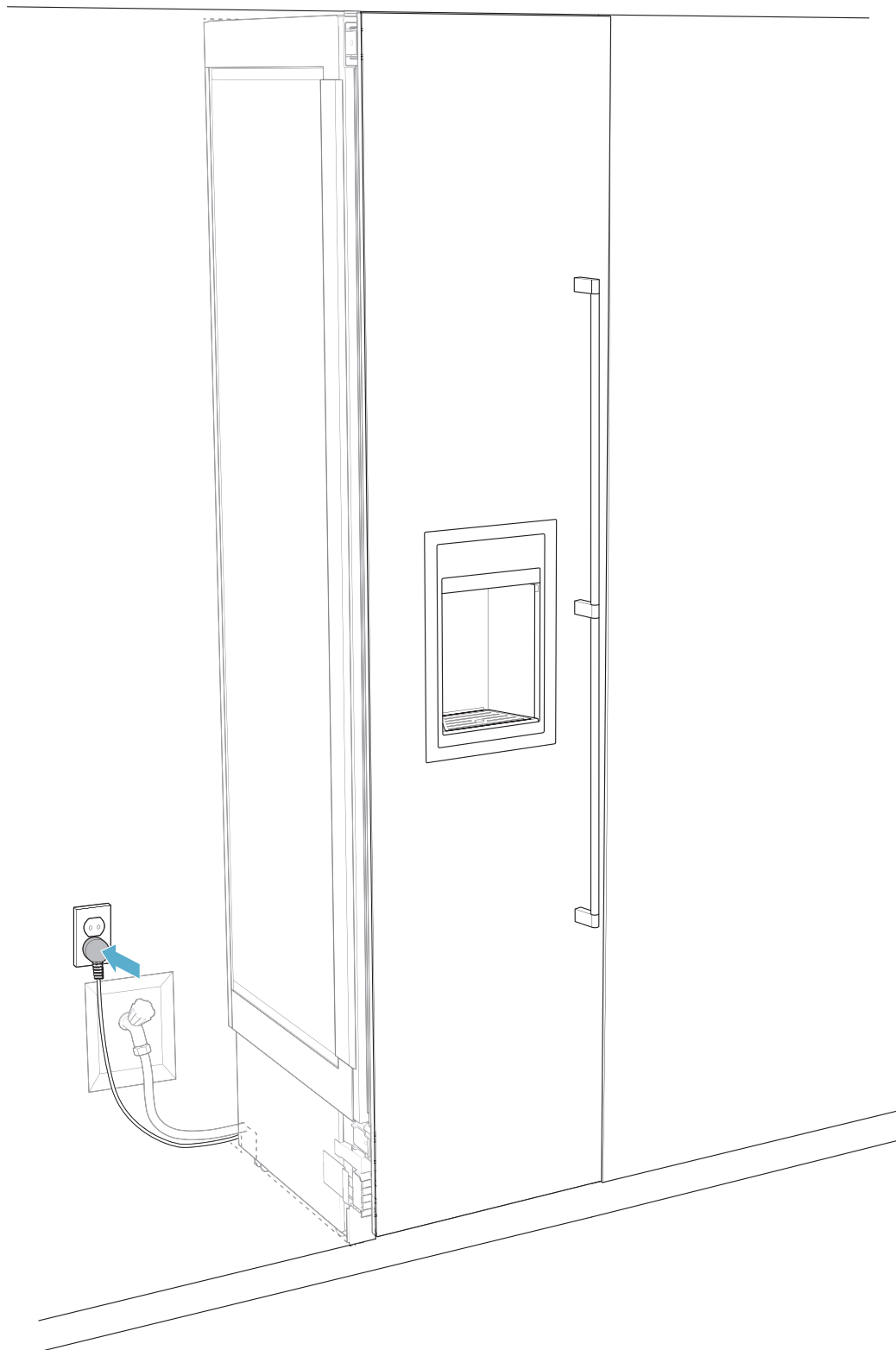


$>90^\circ$



90°





Gaggenau Hausgeräte GmbH
Carl-Wery-Straße 34
D-81739 München
www.gaggenau.com

8001170336 (9912)
xx

GAGGENAU

