

GW051190

Optional accessories

installation accessories

warming drawer Gaggenau Expressive series
60 x 14 cm
GW051190

Highlights

Integrable in 14 cm high niche.
Bright interior lighting.
Cushioned closing system.
Hygienic stainless steel interior with glass bottom.
Direct temperature selection in the range 30 °C to 80 °C.
Also for low-temperature cooking, dough proving, herbs and fruits drying, chocolate melting and defrosting.

Heating methods

Preheating of small beverage containers/cups.
Warming cookware/plates.
Keeping meals warm.
Low-temperature cooking.
Direct temperature control.
Personalisation function via Home Connect.
16 additional programmes via Home Connect.

Handling

Touch key operation.

Features

Net volume 20 litres.
Volume capacity: Dinner service for 6 people including ø 27 cm plates and soup bowls, additional bowls and a serving dish depending on size.
Capacity load max. 25 kg.
Usable interior dimensions
W548 mm x H 92 mm x D 410 mm.
Heating system for even heat distribution and stable cavity temperature.
Glass bottom made of safety glass.

Selected digital services (Gaggenau Home Connect)

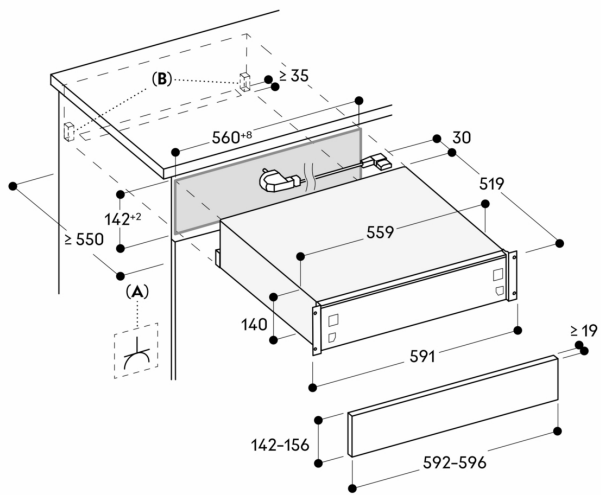
Additional programmes and recipes.
Remote control and monitoring.
Timing function.

Planning notes

Plan the niche without back wall.
Installation of GO/GS/GM/GC directly above the drawer without intermediate shelf.
Installation directly above a dishwasher is not allowed.
Attention: To open the fully integrated variant, a handle or a recessed grip is necessary.
Front weight up to 3 kg.
Necessary lateral gap between appliance front and furniture panel of min. 5 mm.
Built-in under worktop or in single niche.
The mains socket must be accessible and located outside the built-in niche.
The socket can be planned behind the appliance.

Connection

Total connected load 0.82 KW.
Connection cable 1.75 m, pluggable.



A: Accessible electrical connection
B: Anti tilting

Measurements in mm