

**RW414365**

**RW414305**

**RW466365**

**RW466305**

**RW414364**

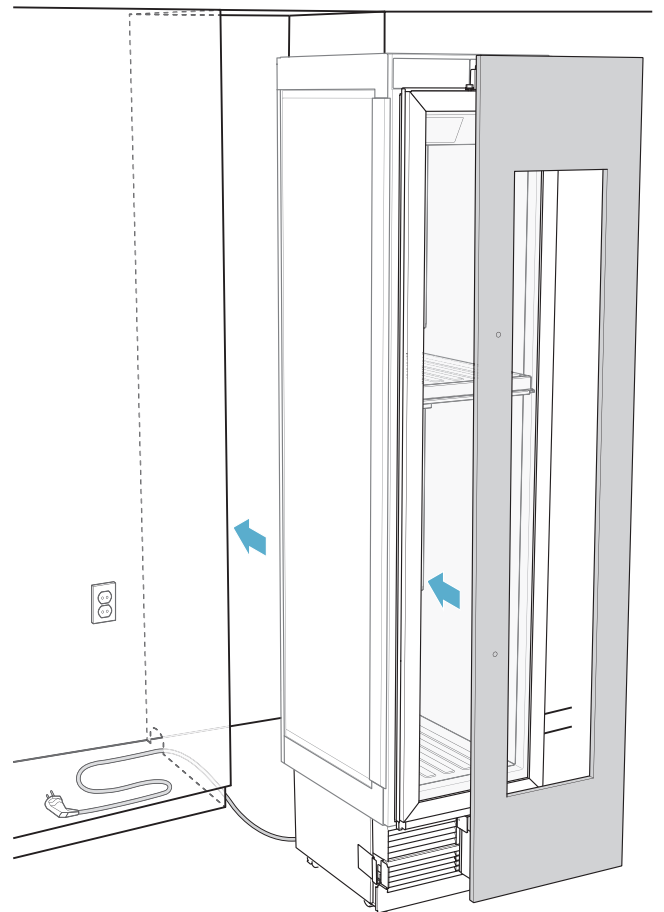
**RW466364**

**RW414304**

**RW466304**

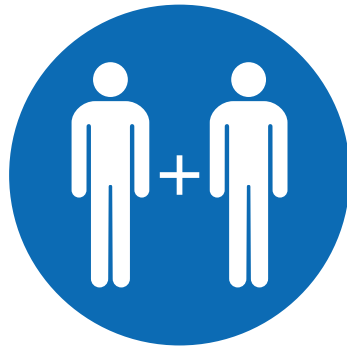
**RW414964**

**RW466964**

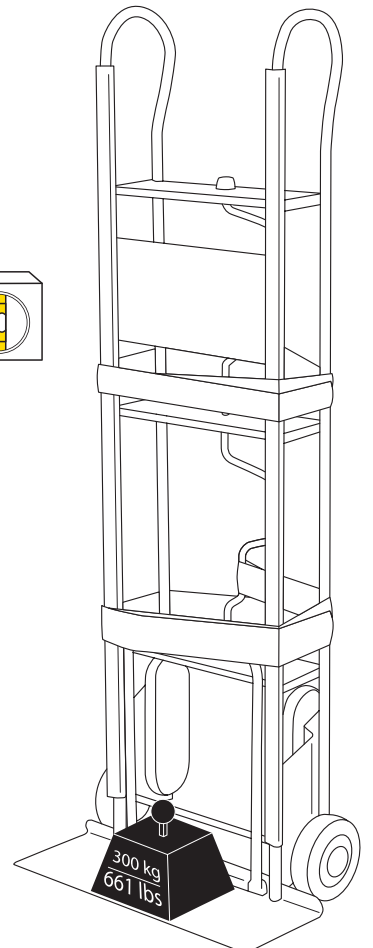
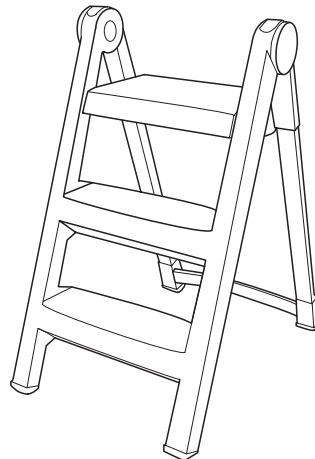
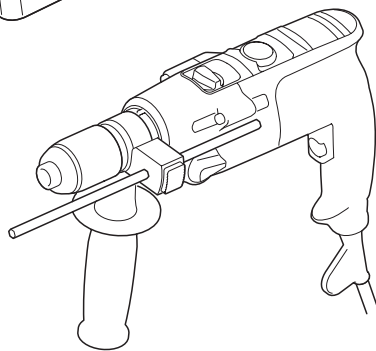
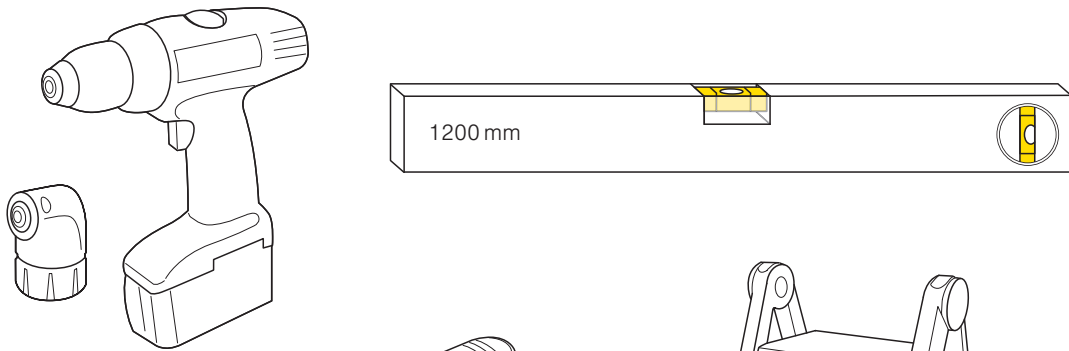
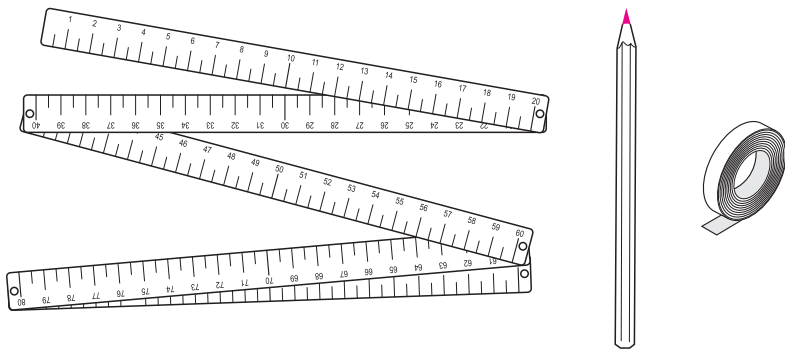
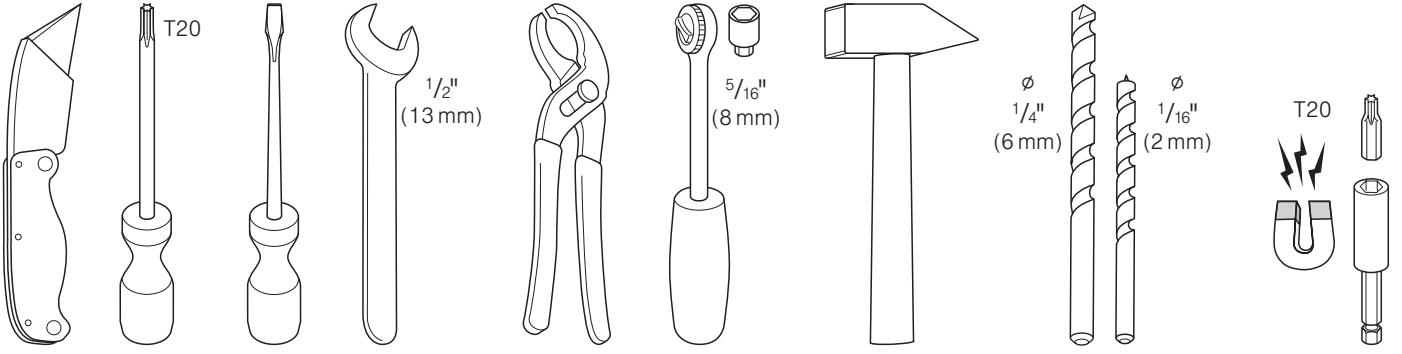
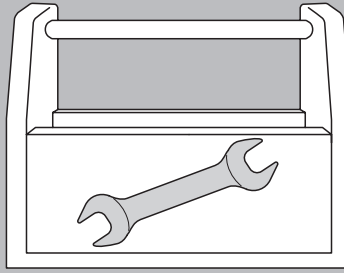


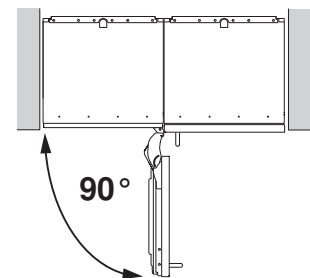
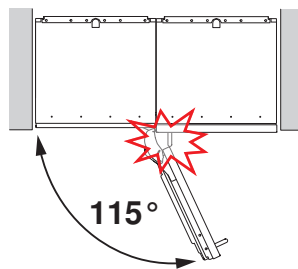
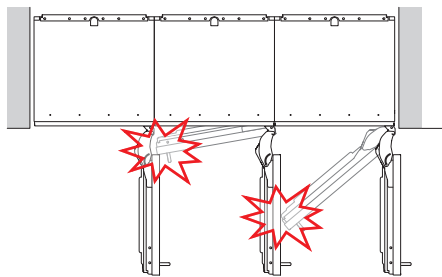
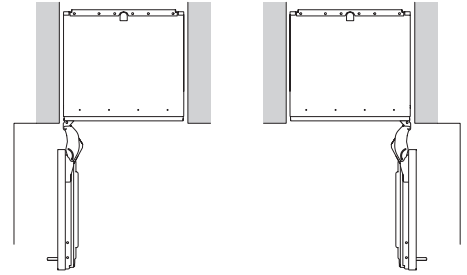
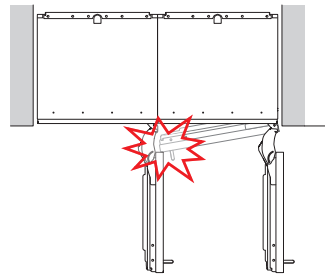
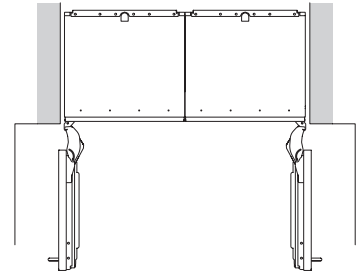
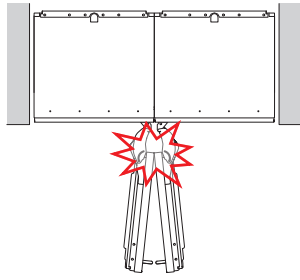
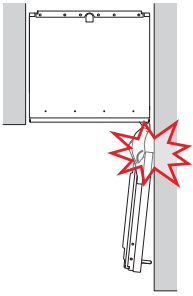






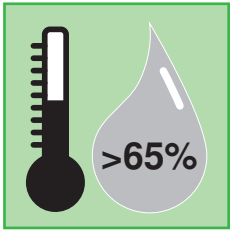




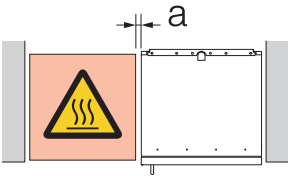




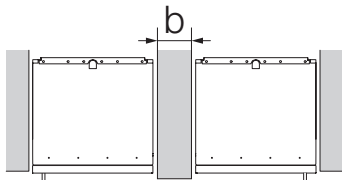
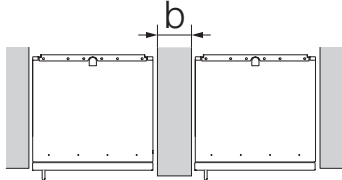
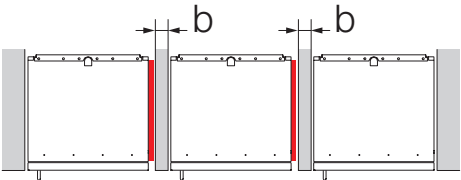
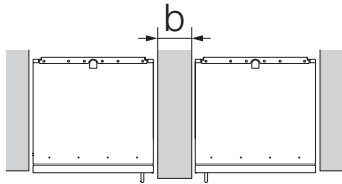
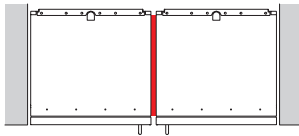
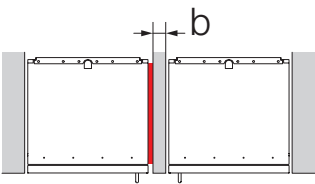
$\frac{5}{8}'' \leq b < 6\frac{1}{4}''$   
(16 mm  $\leq$  b < 160 mm)

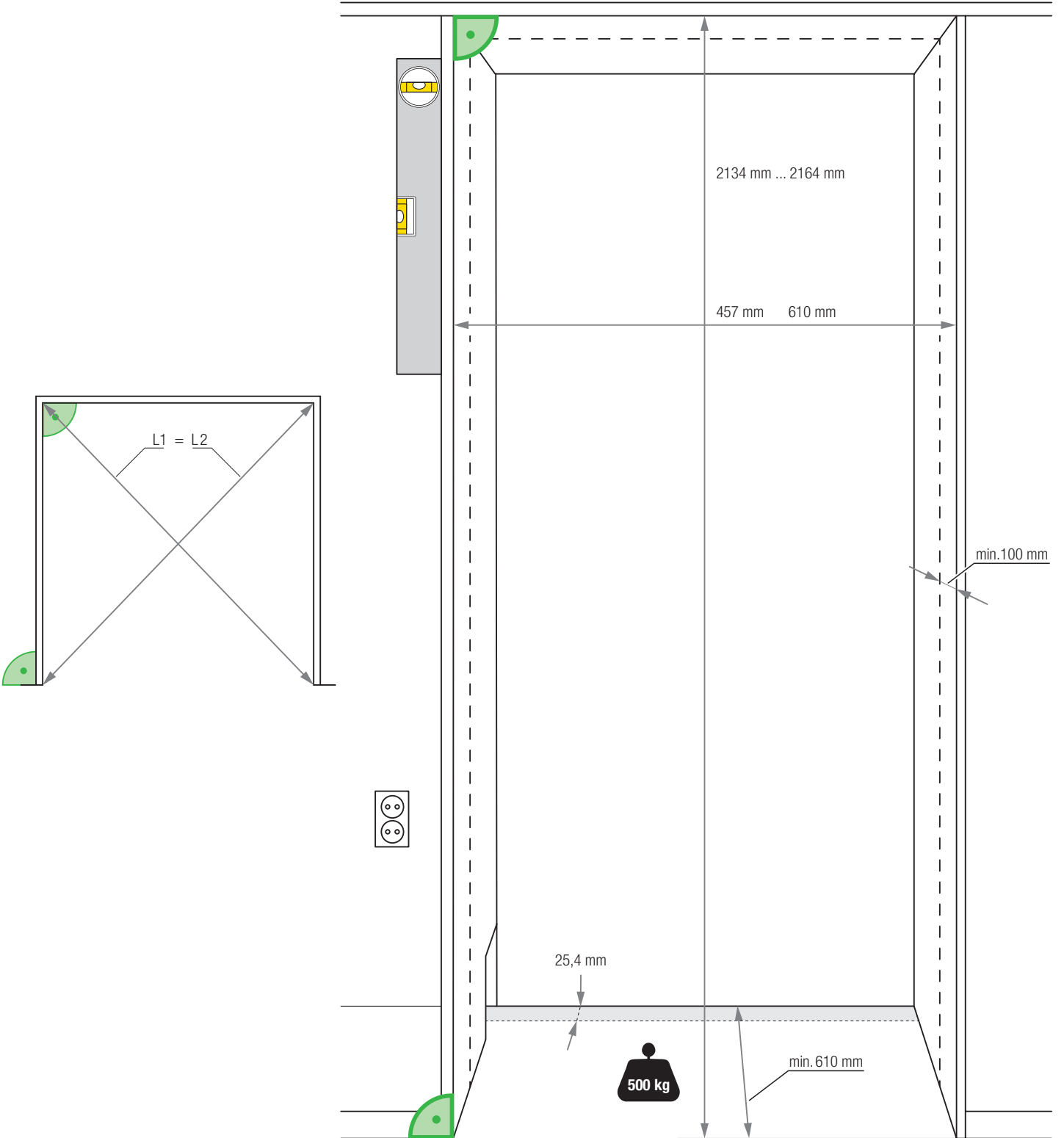


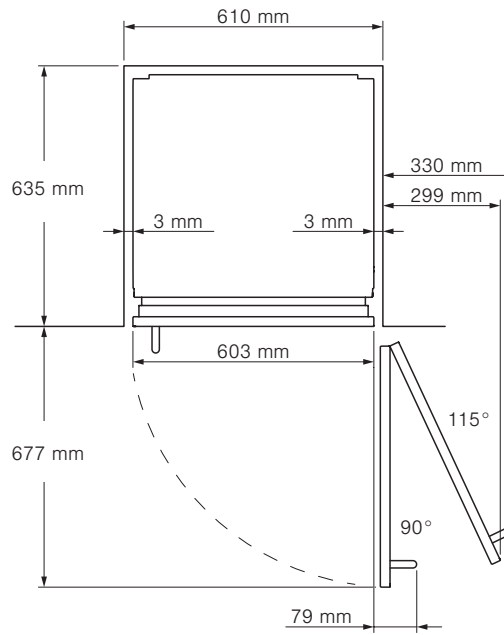
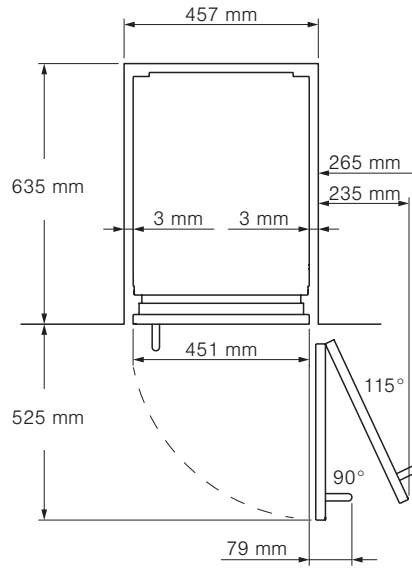
$a \geq 1\frac{3}{16}''$   
(a  $\geq$  30 mm)

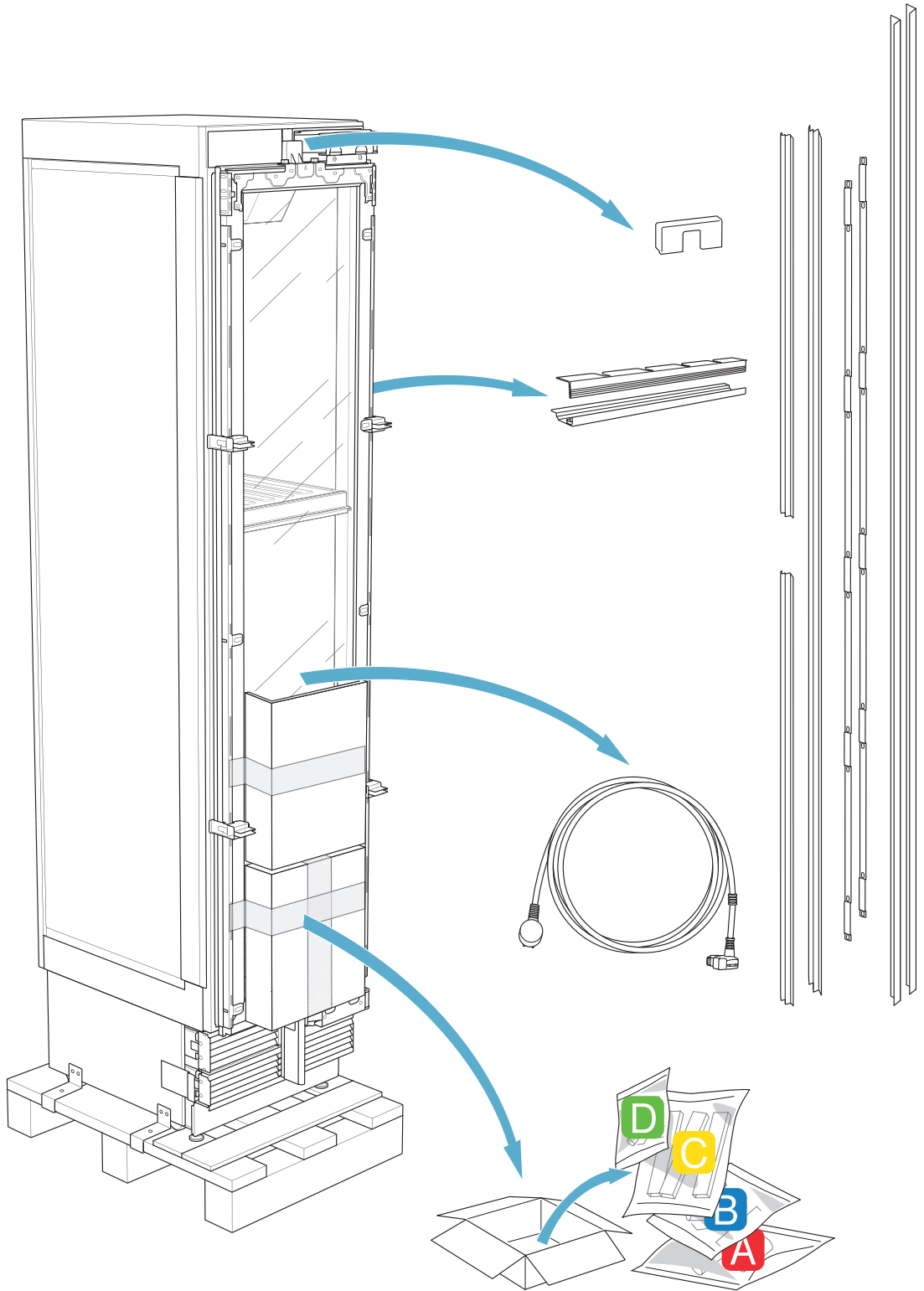
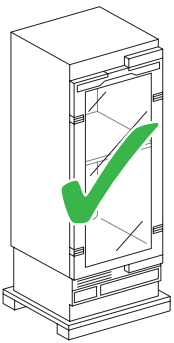
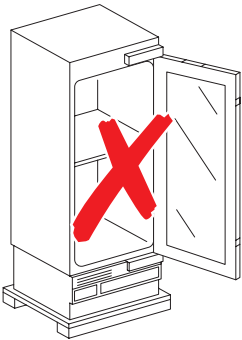
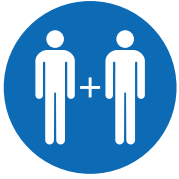


$b \geq 6\frac{1}{4}''$   
 $b \geq 160$  mm

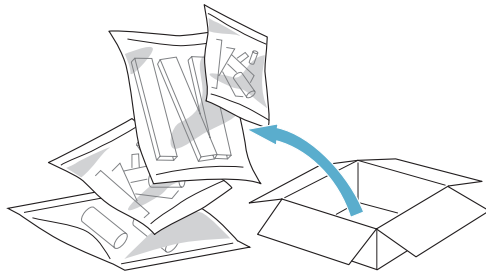





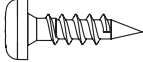


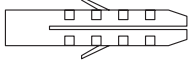


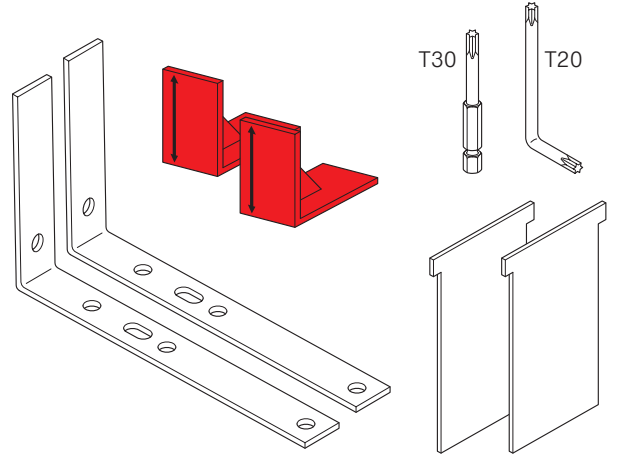






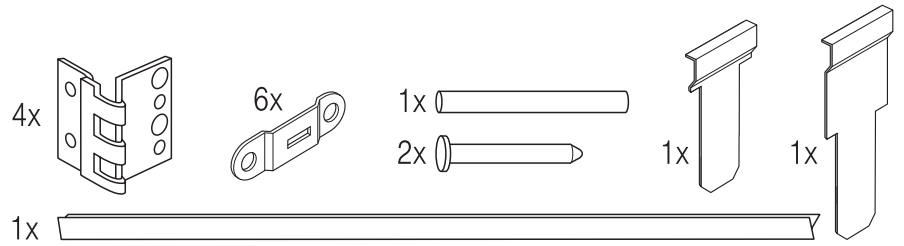


# A



4x15			6x
5x60			4x
6x31			4x







M5x16			28x
-------	---	---	-----

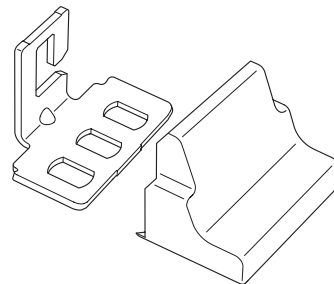


# B

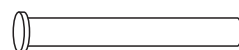
4x15			8x
------	---	---	----

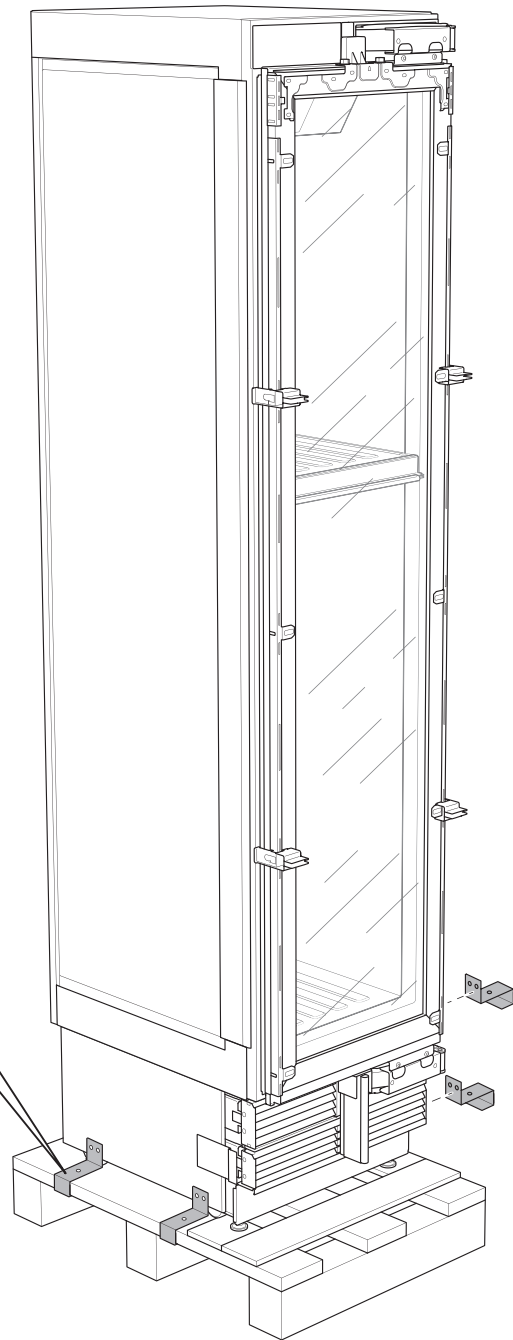
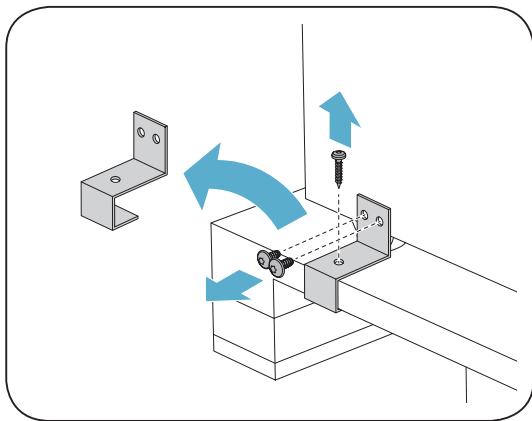
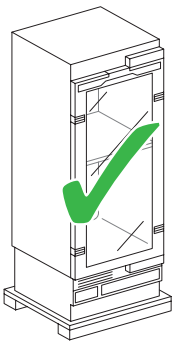
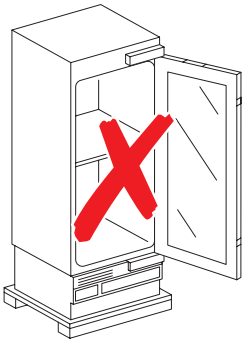
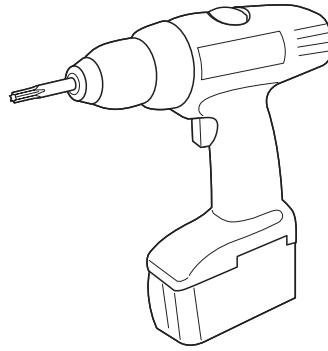
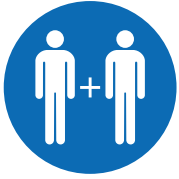
# C

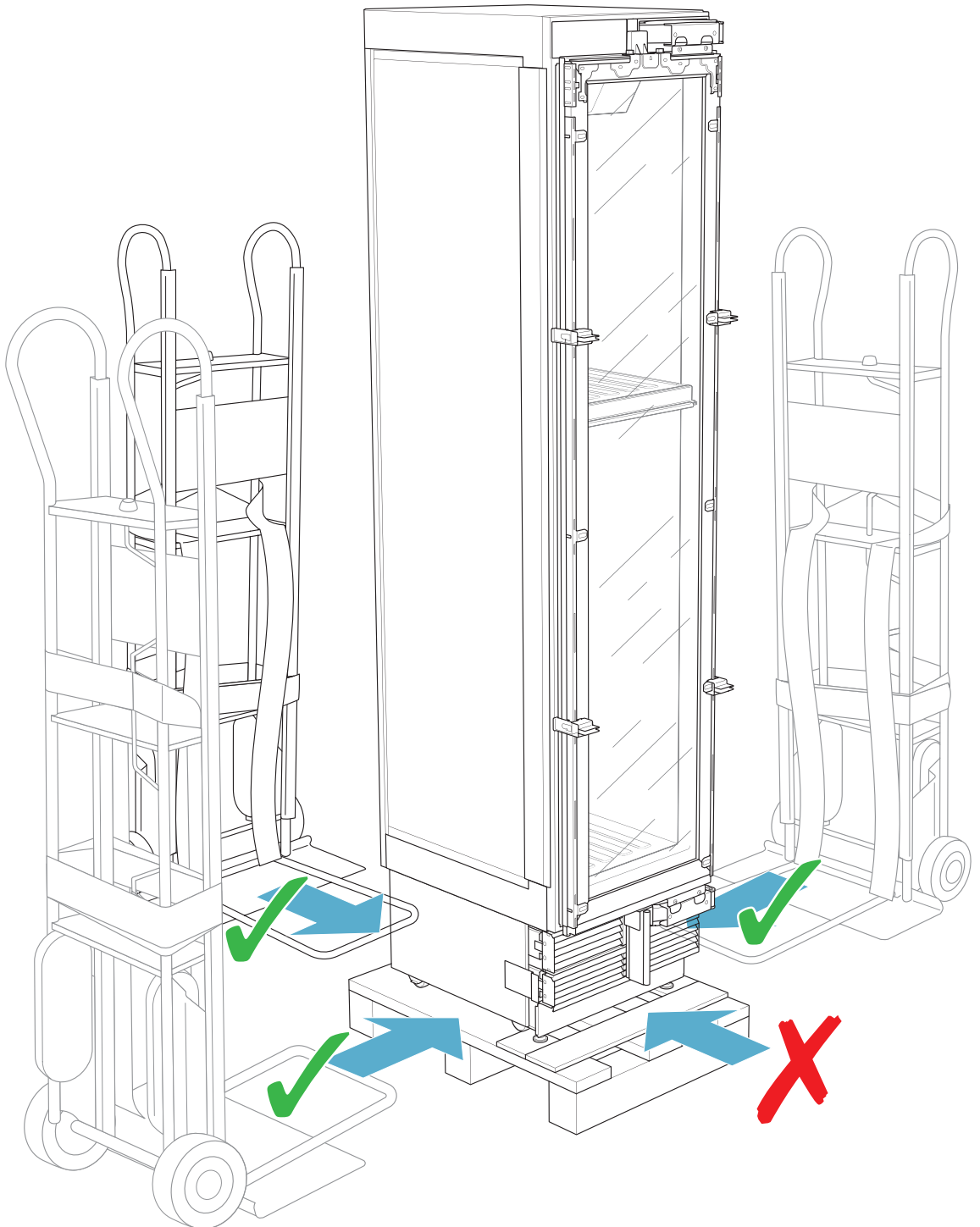
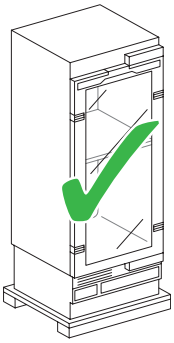
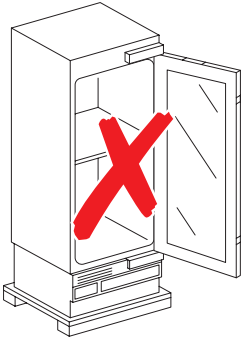
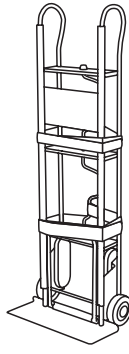
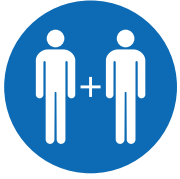
4x15			32x
4x15			2x

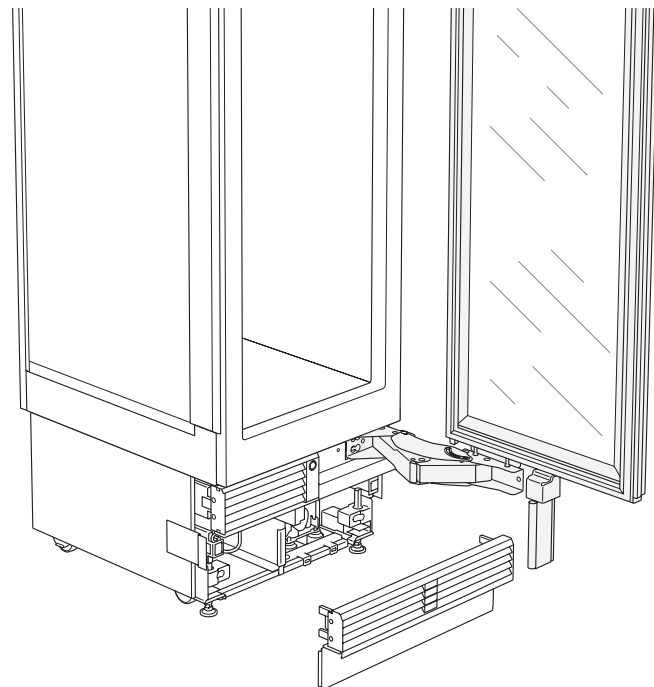
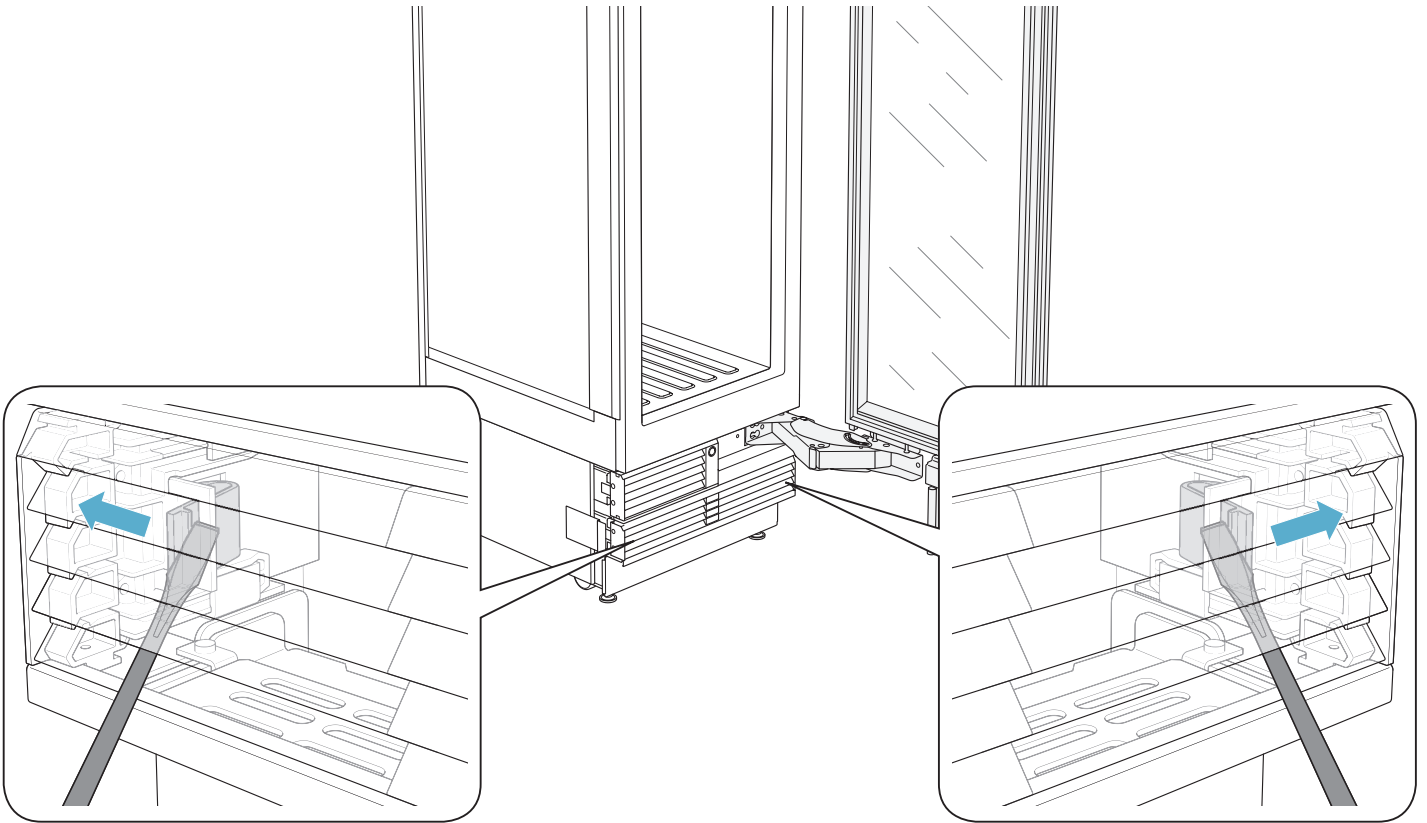
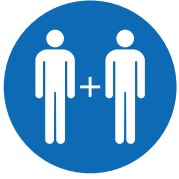


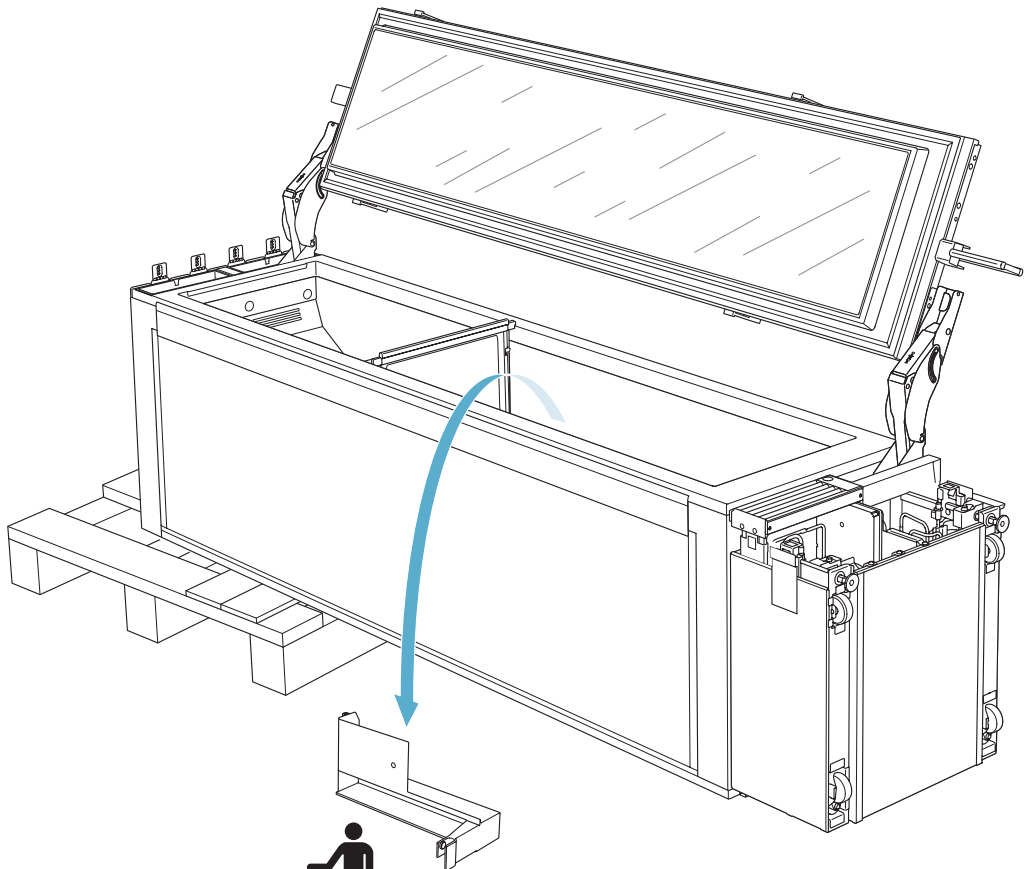
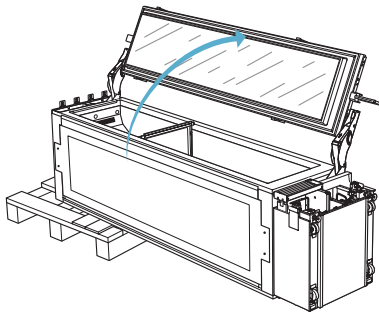
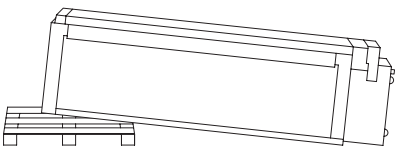
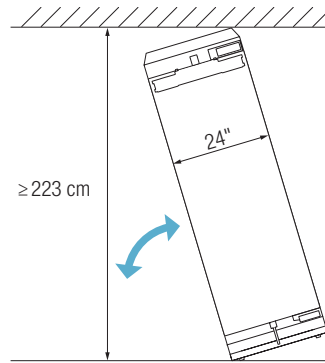
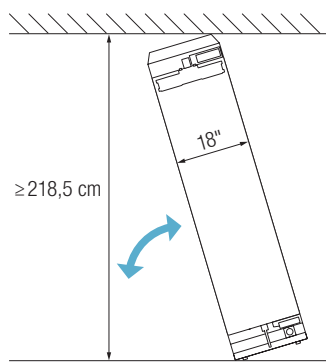
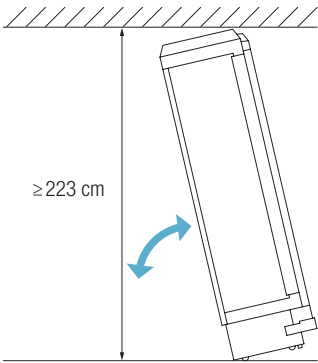
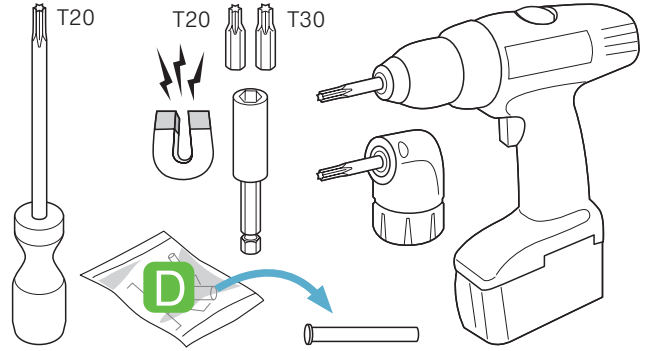
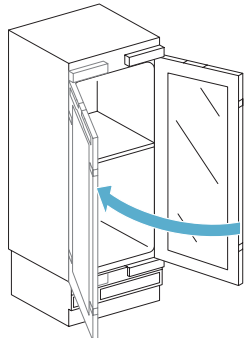
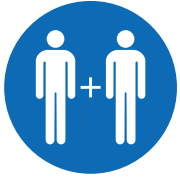
# D



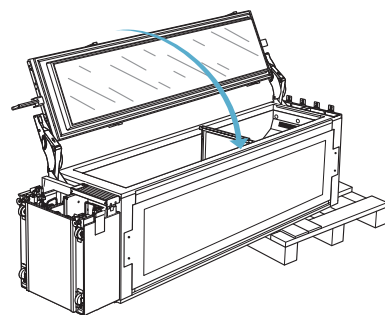
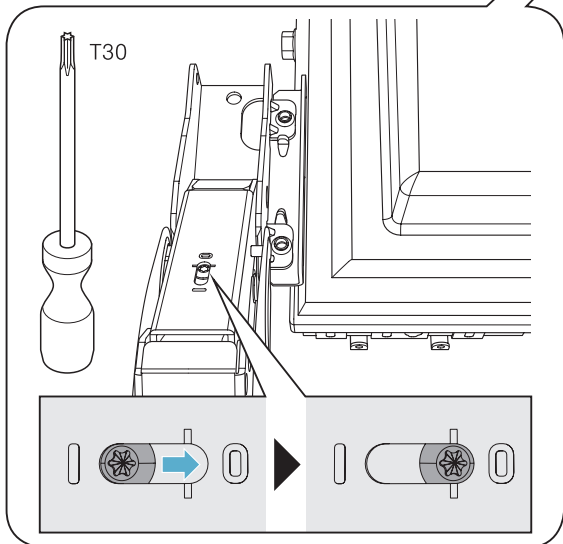
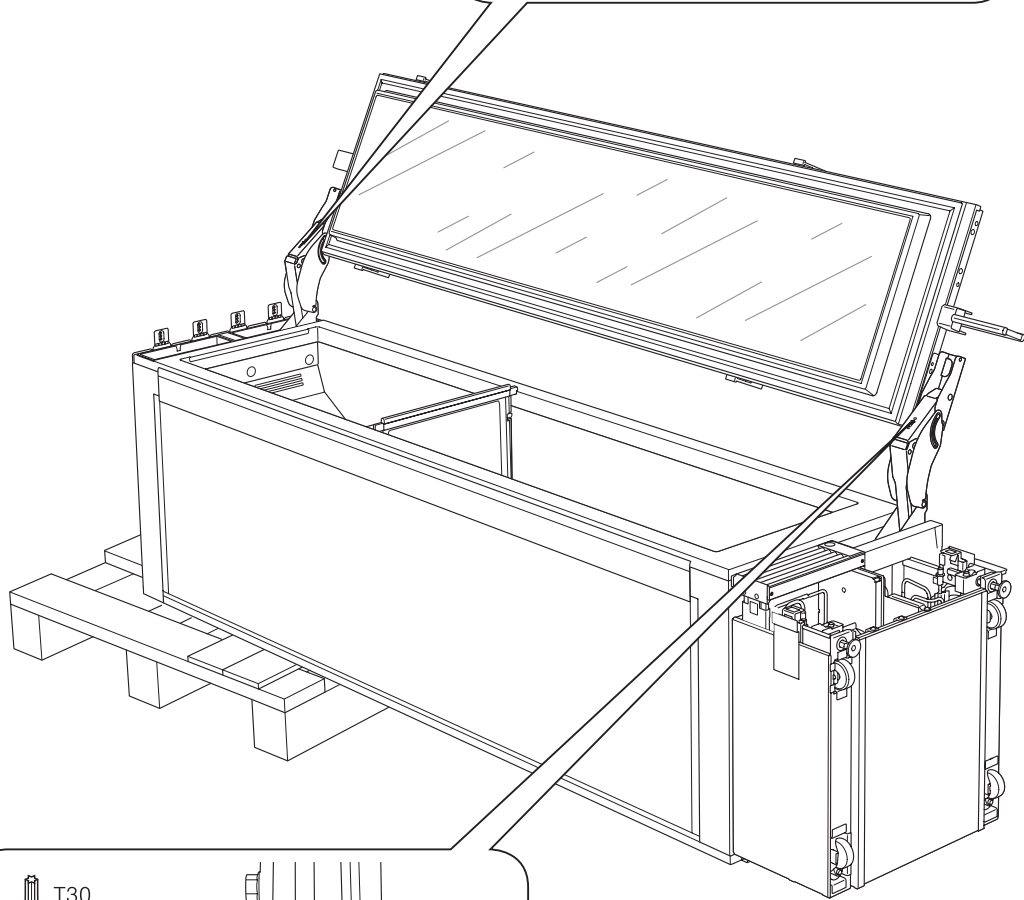
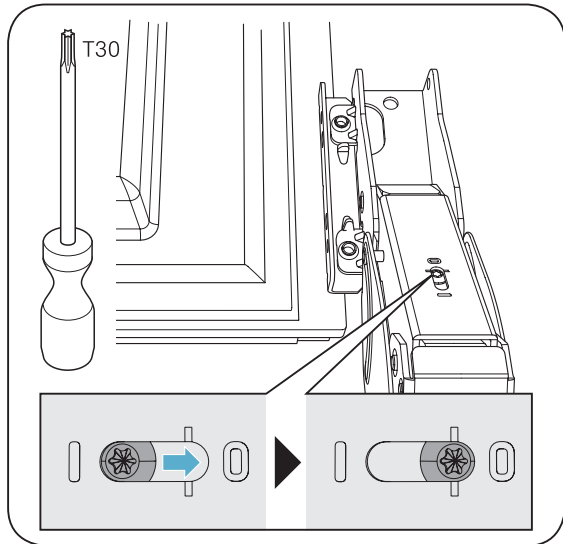
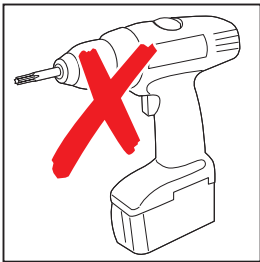


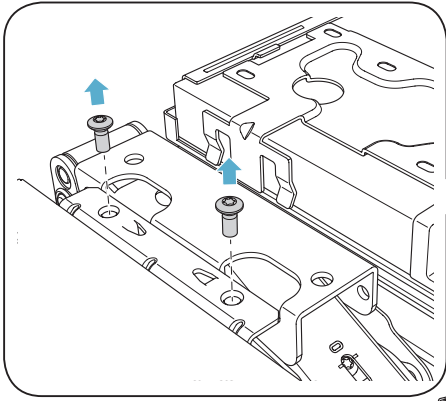




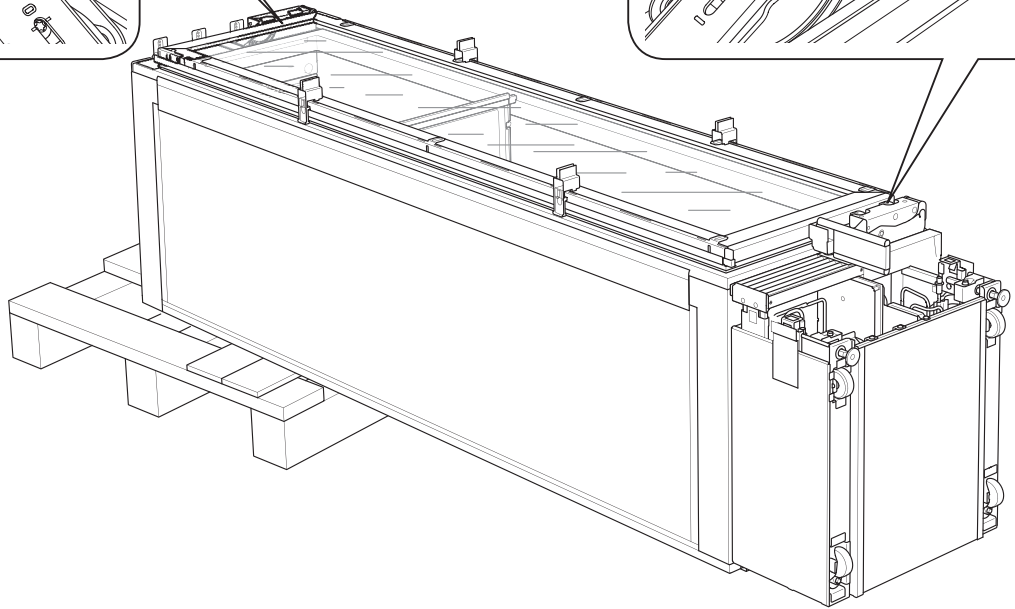
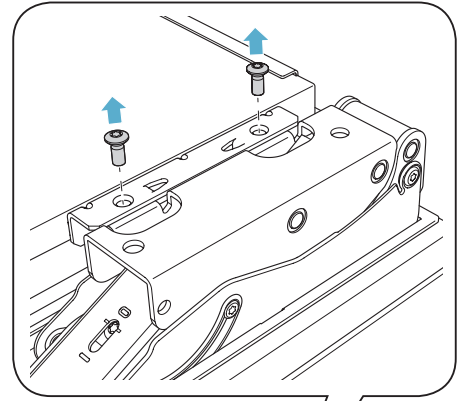


- A
- B
- C
- D

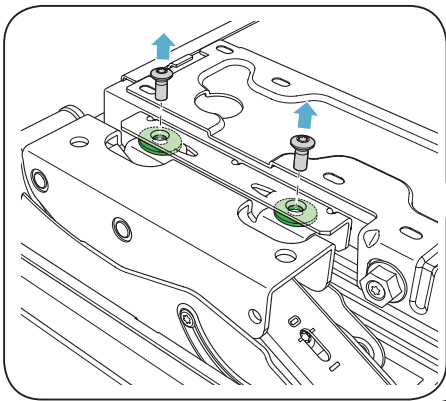




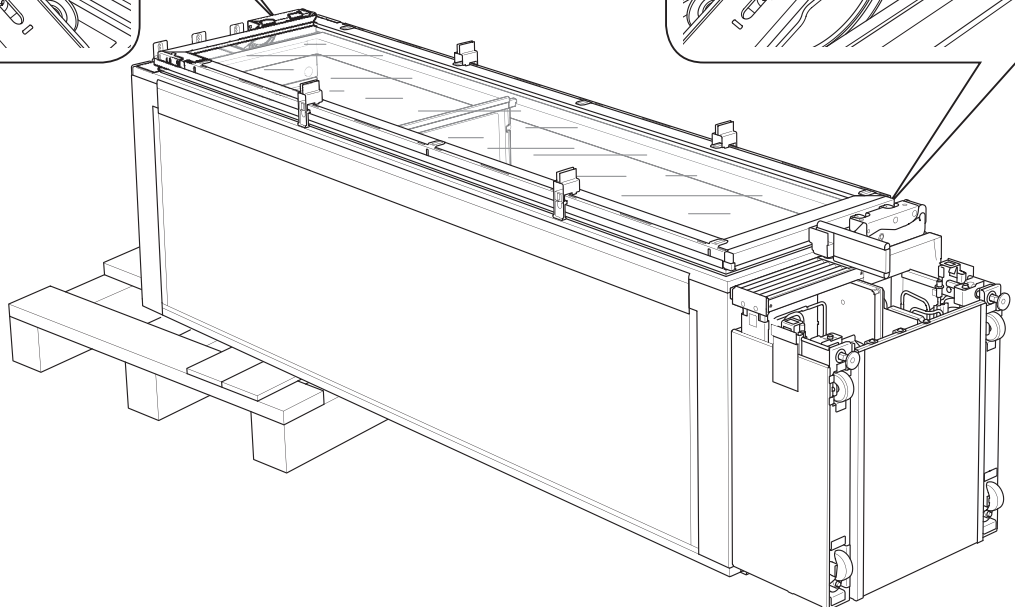
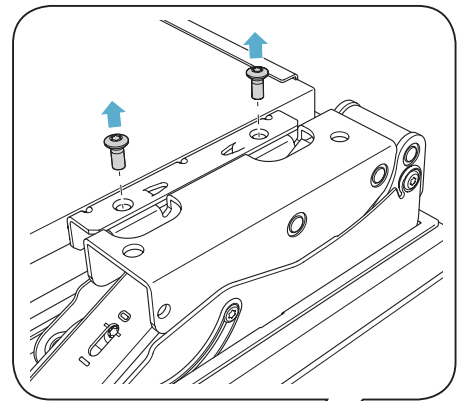
(A)



A  
B  
C  
D

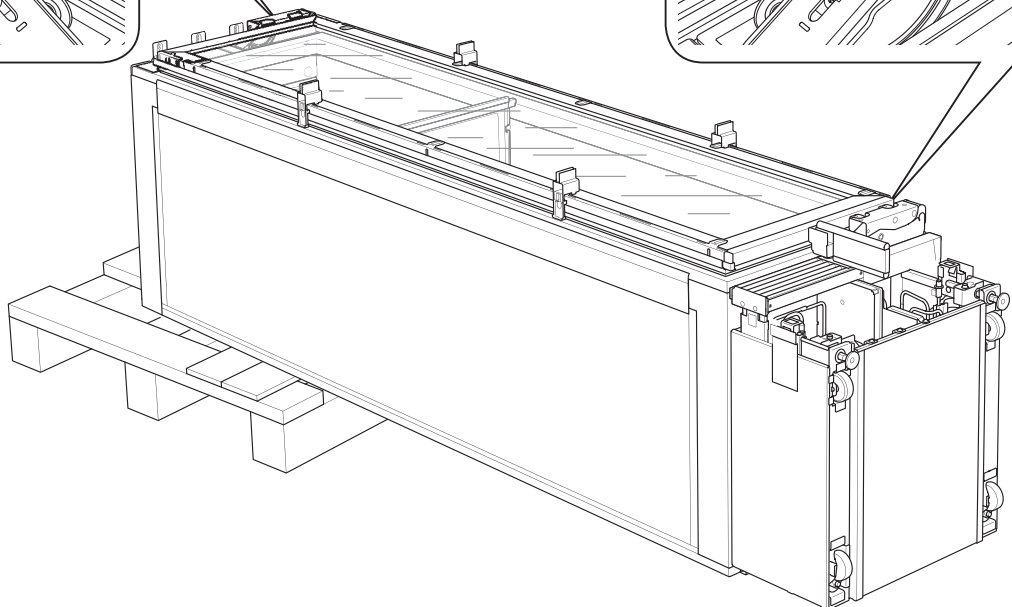
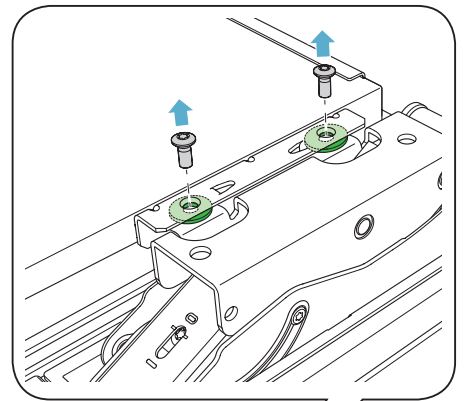
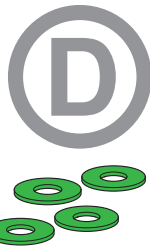
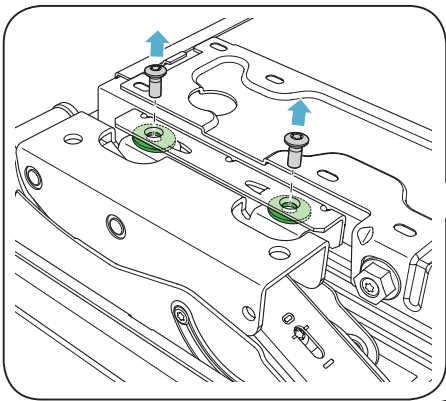
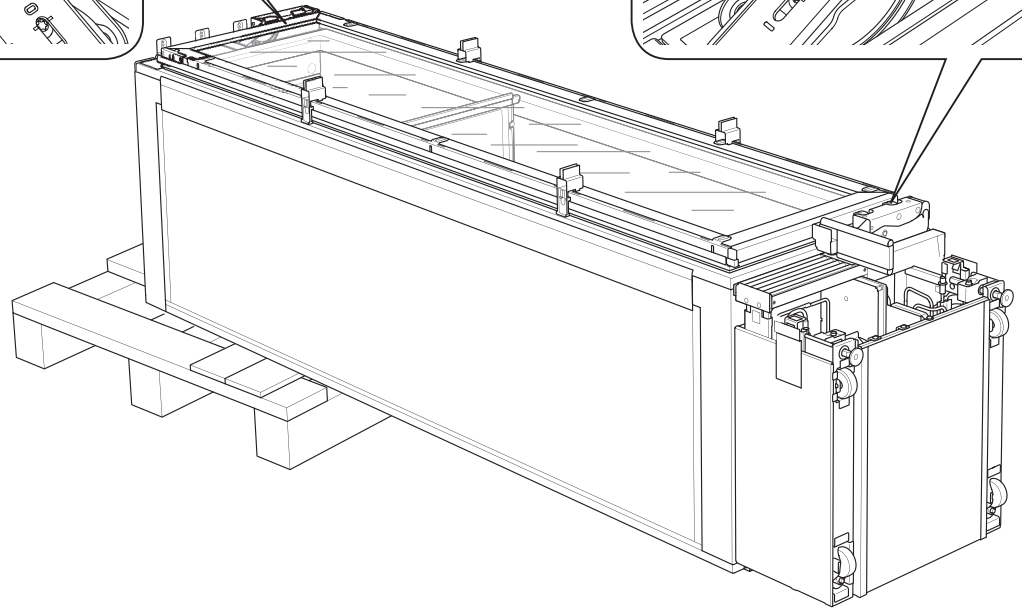
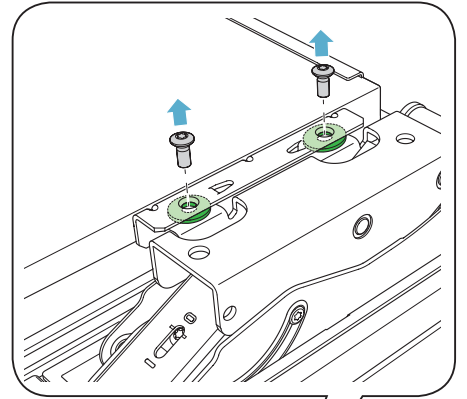
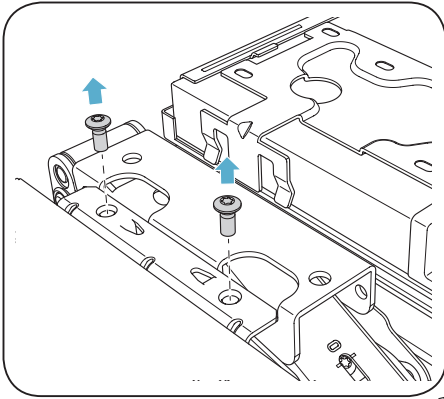


(B)





A  
B  
C  
D



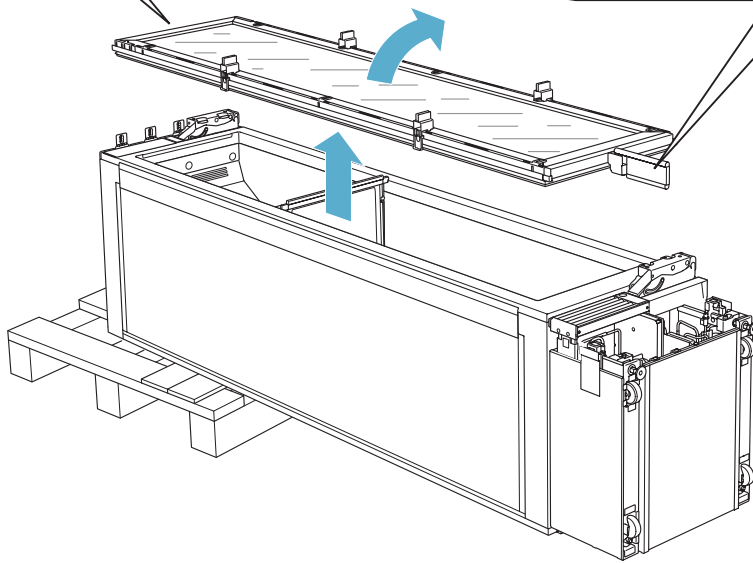
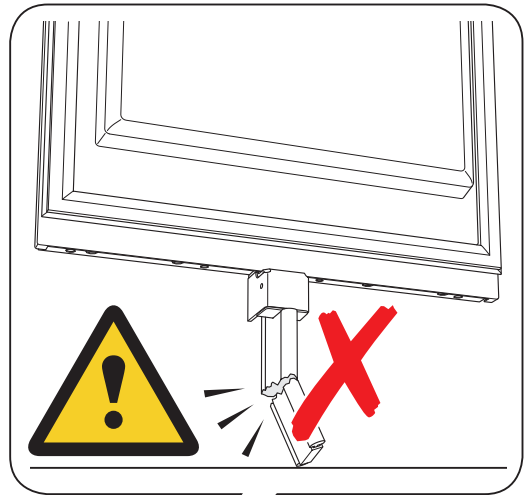
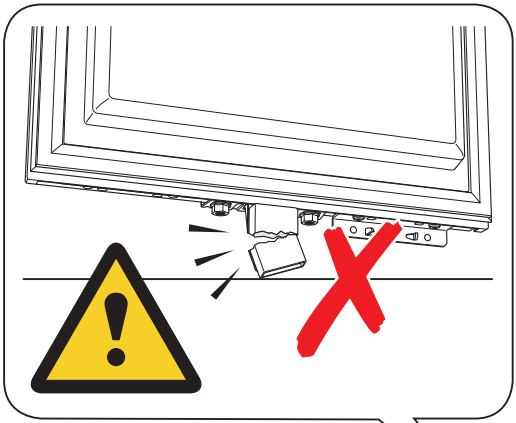


A

B

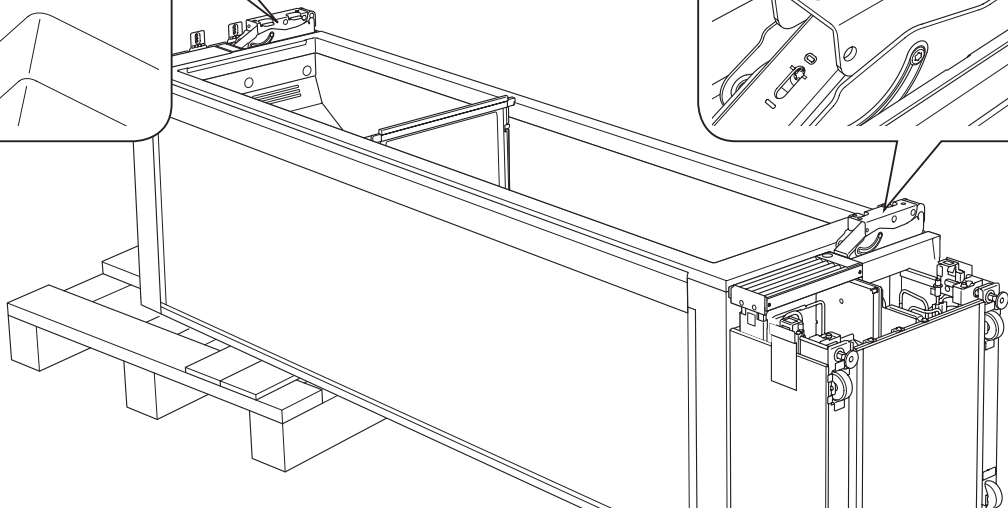
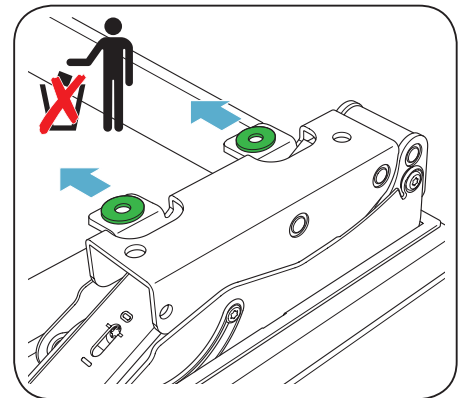
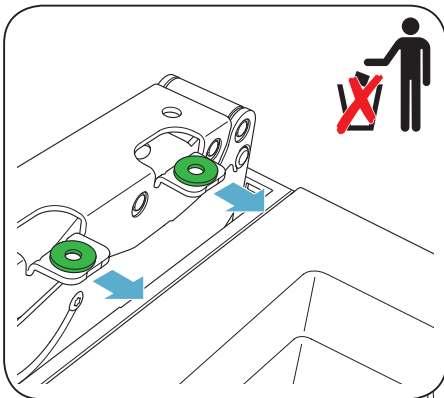
C

D

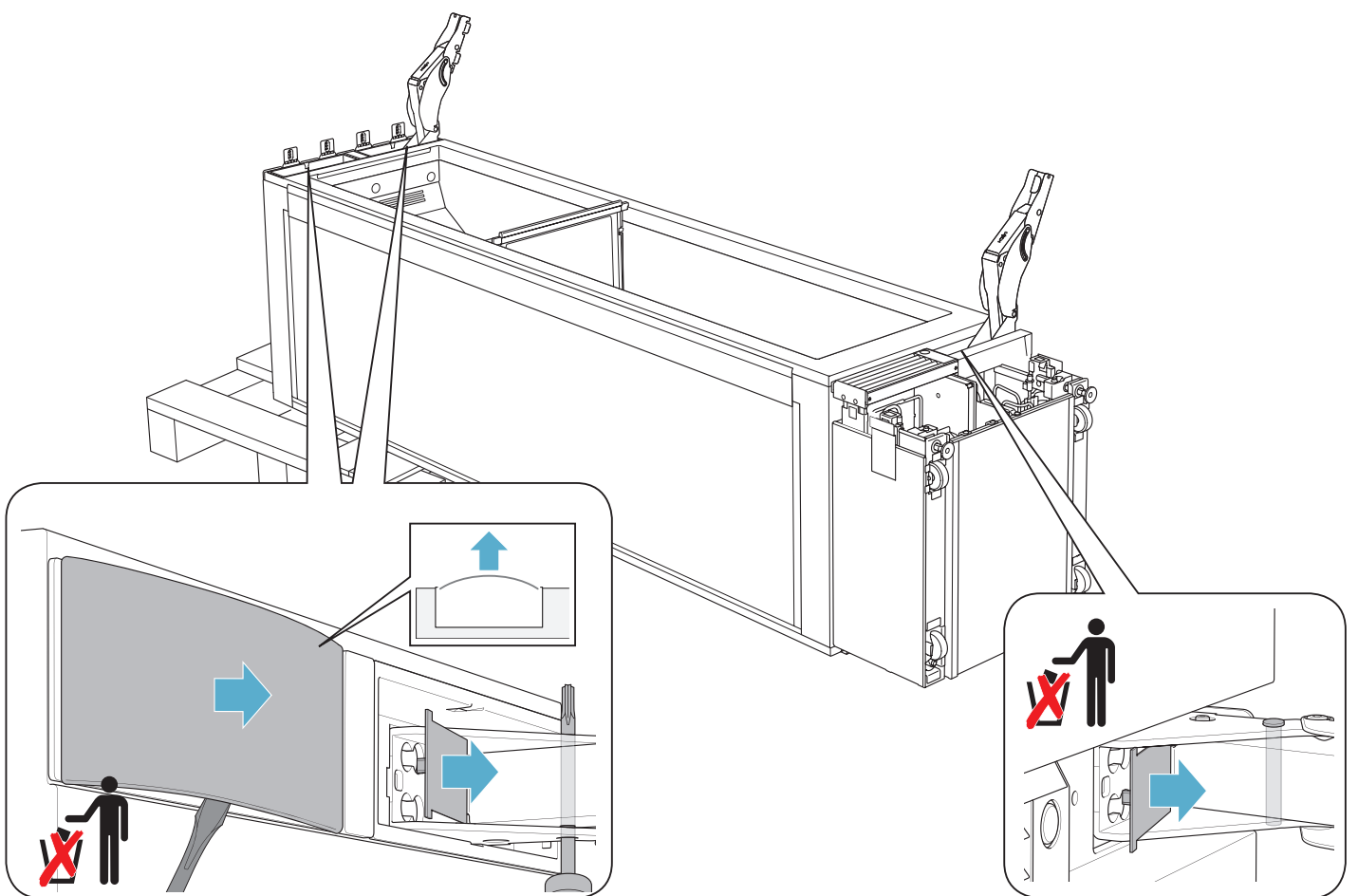
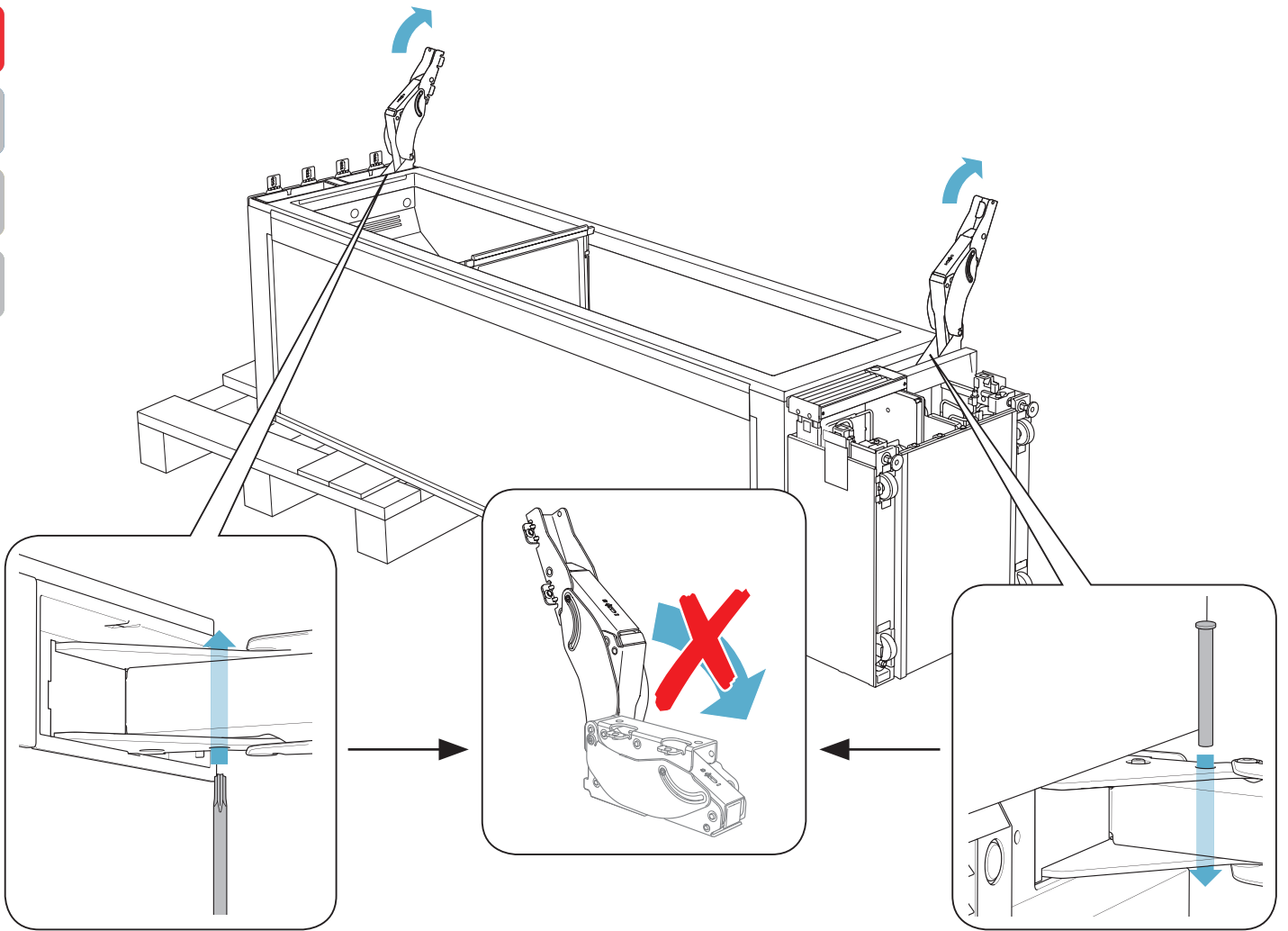


(B) (D)

(C) (D)



A  
B  
C  
D

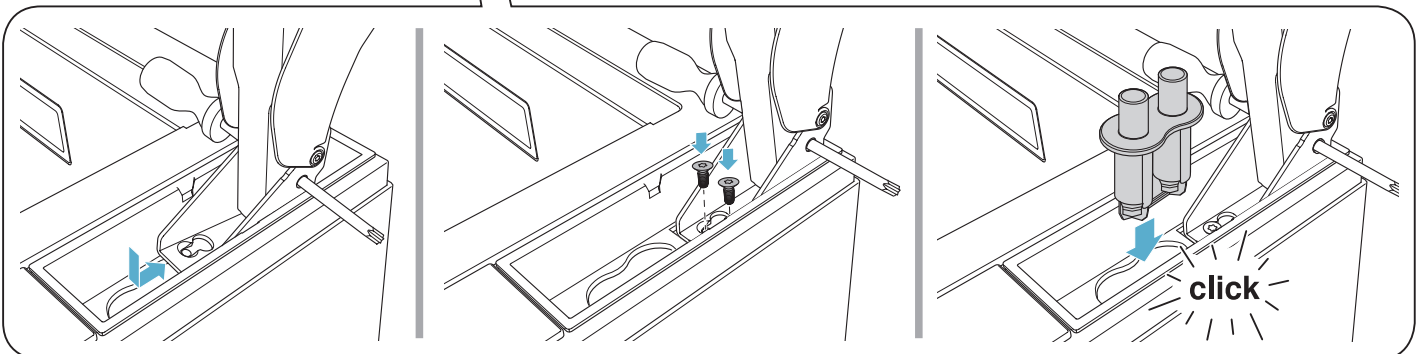
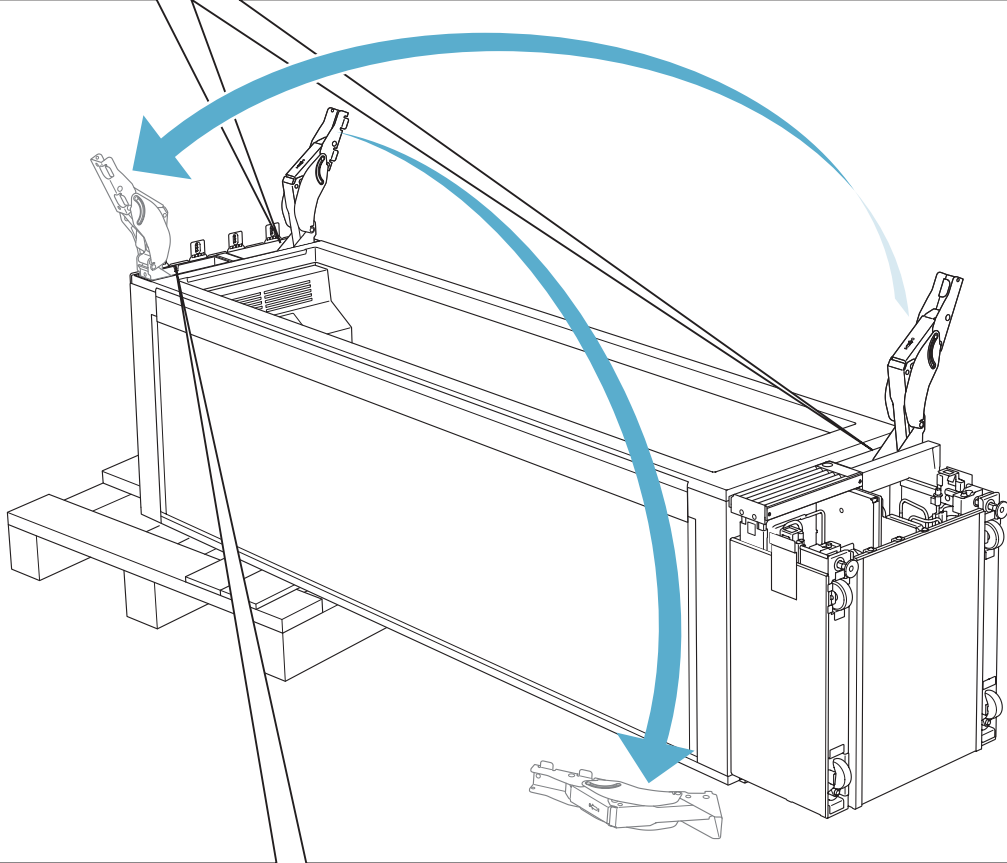
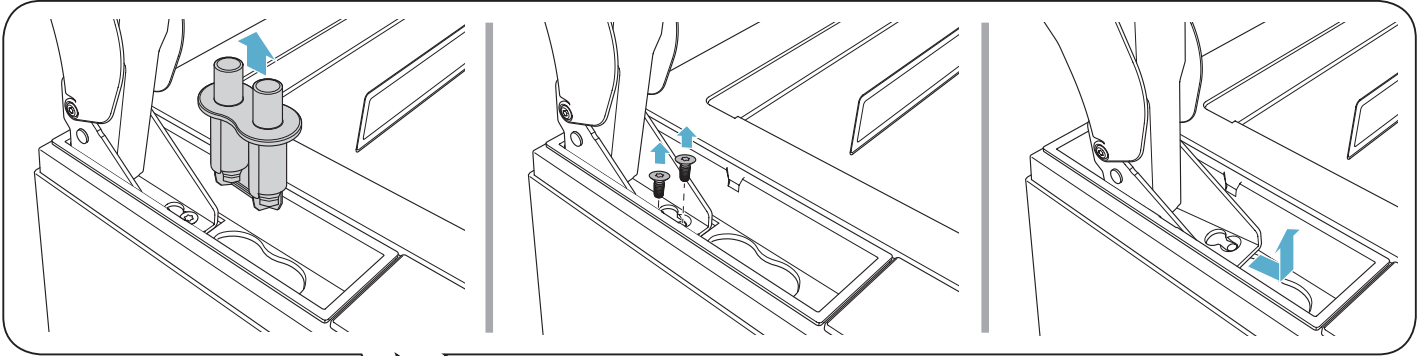
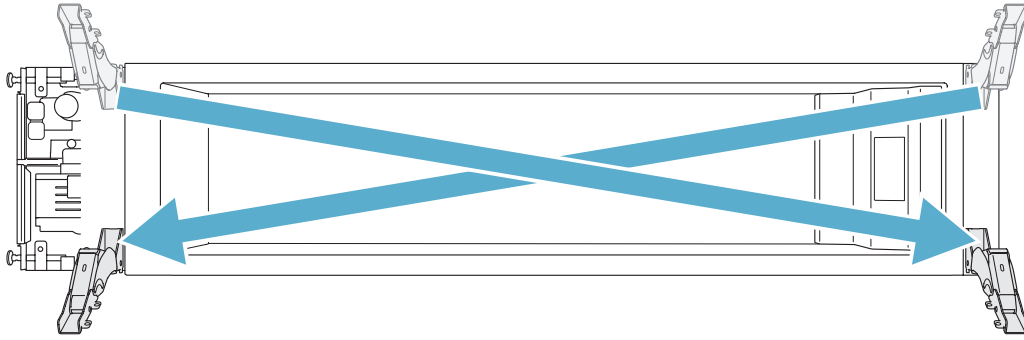


A

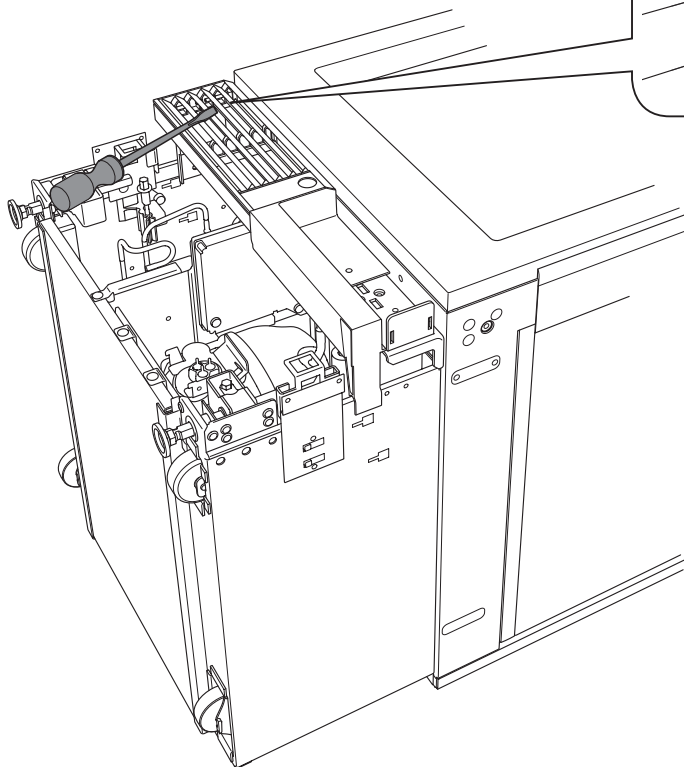
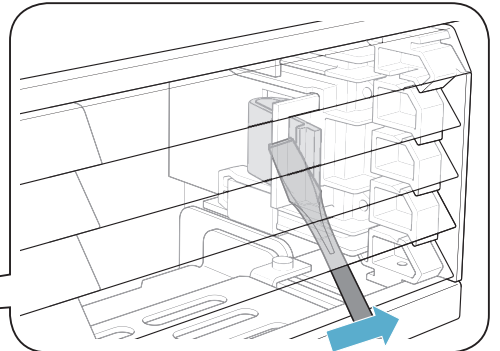
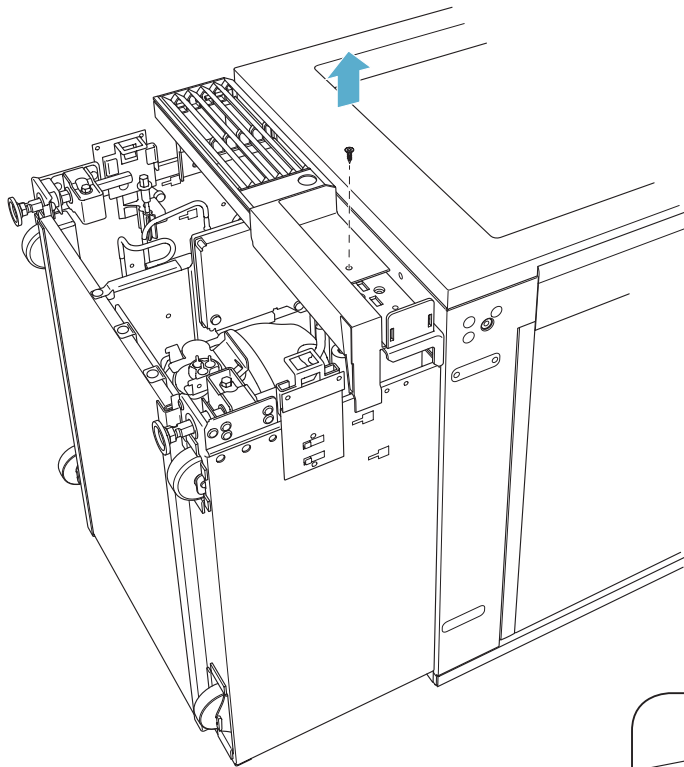
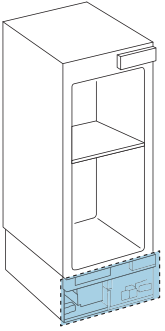
B

C

D



- A
- B
- C
- D

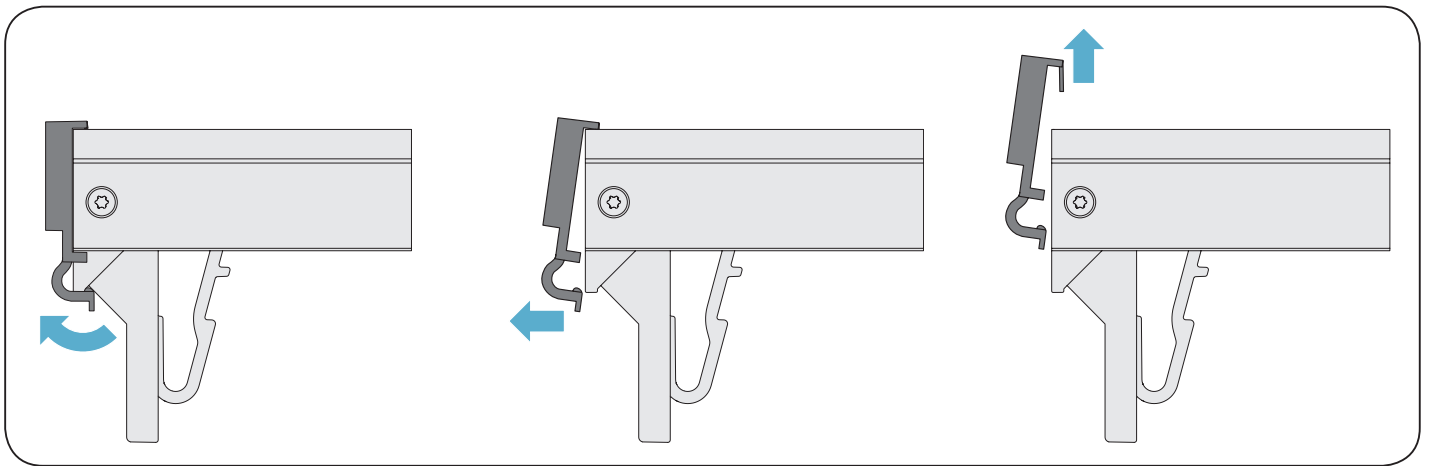
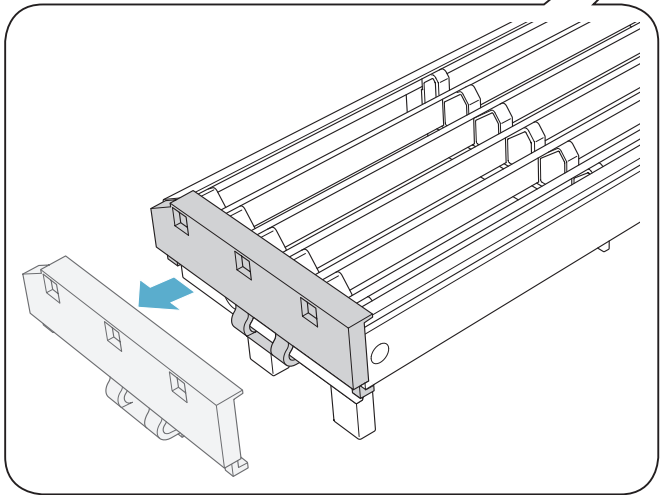
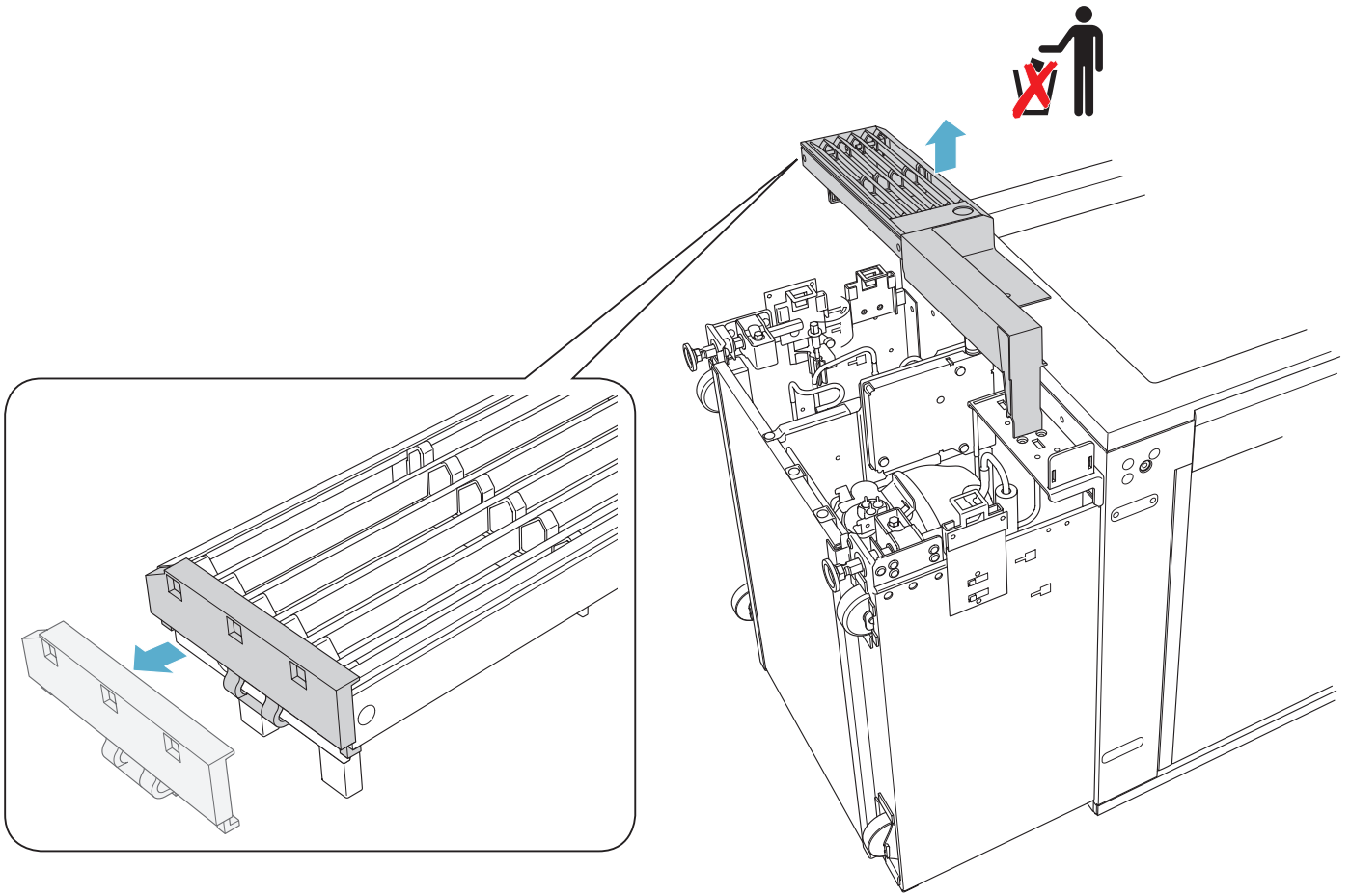


A

B

C

D

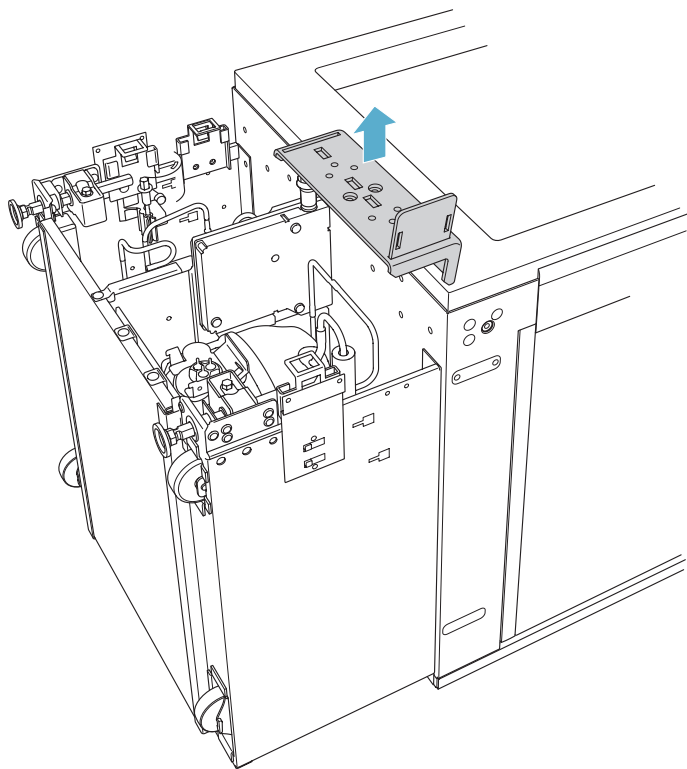
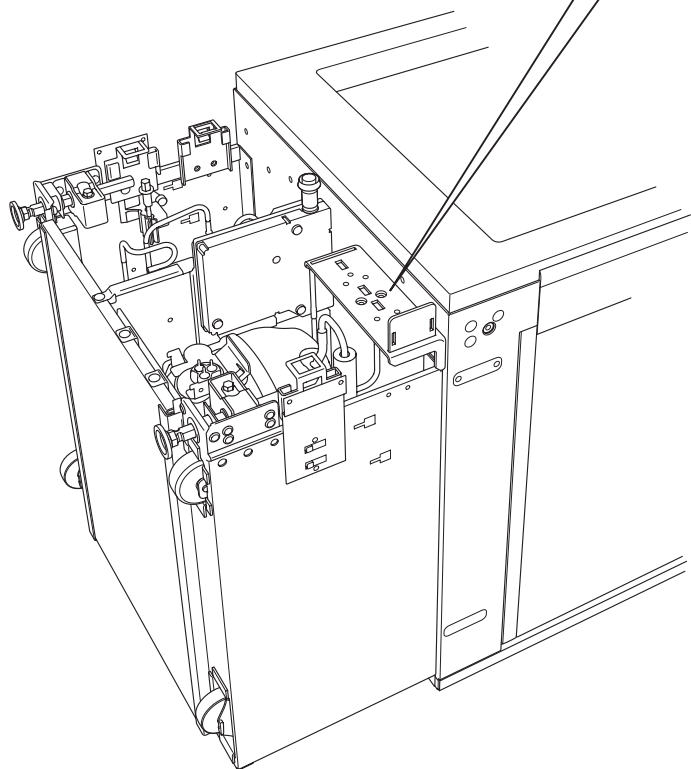
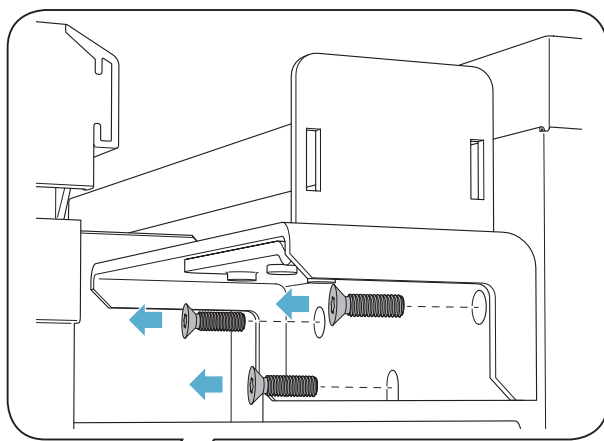


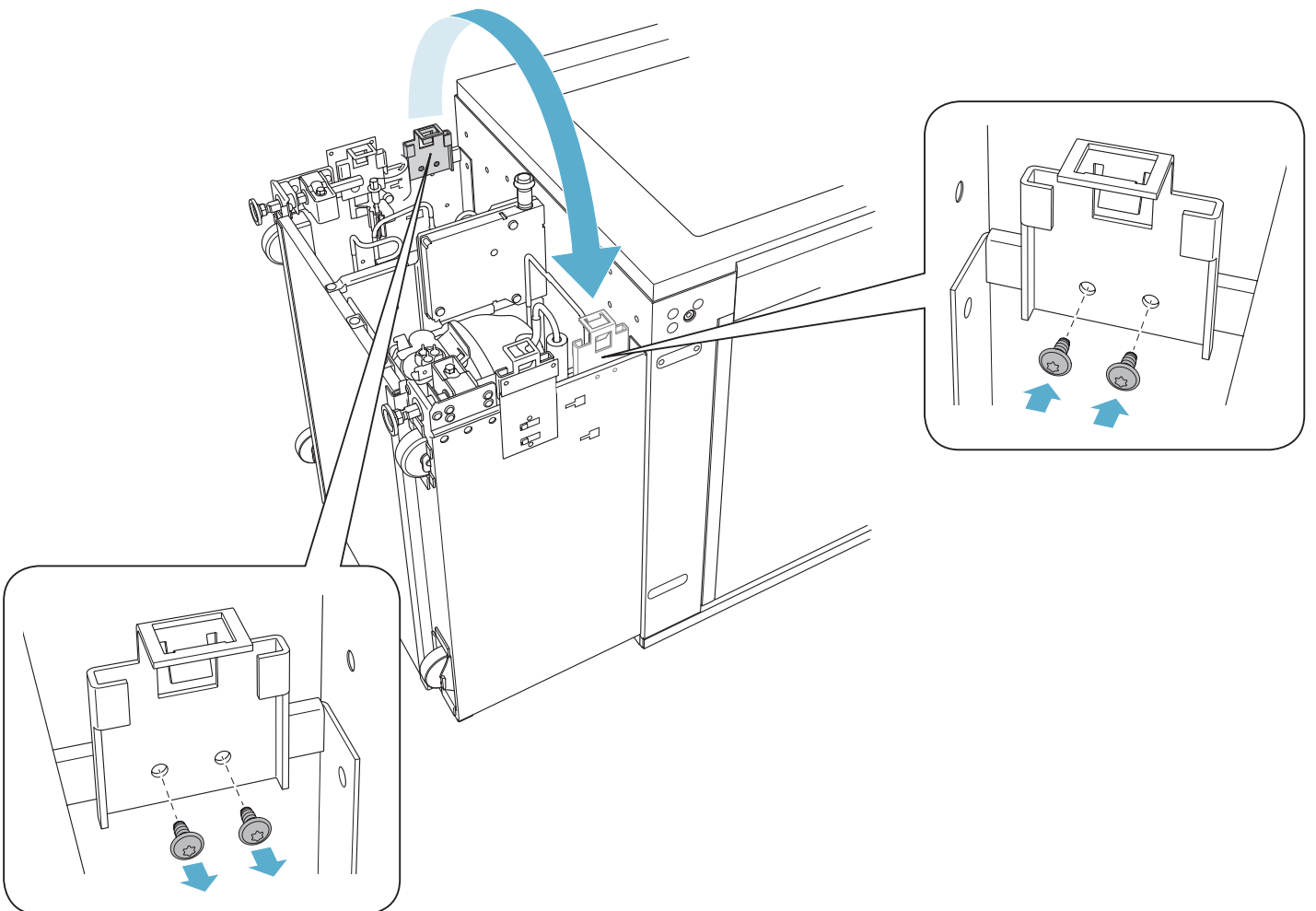
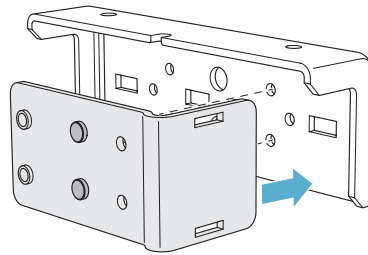
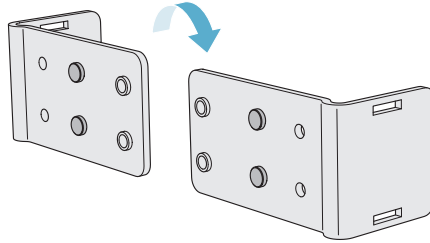
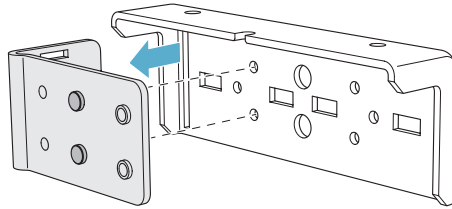
A

B

C

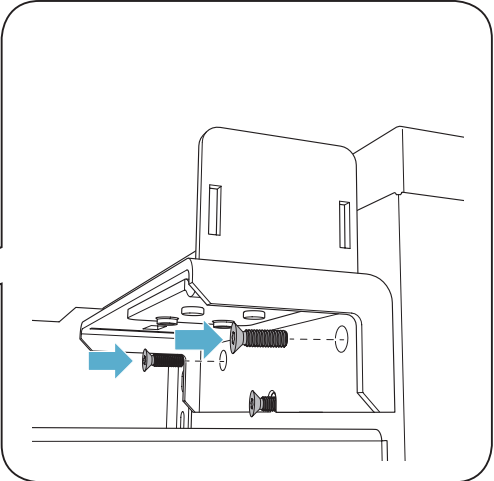
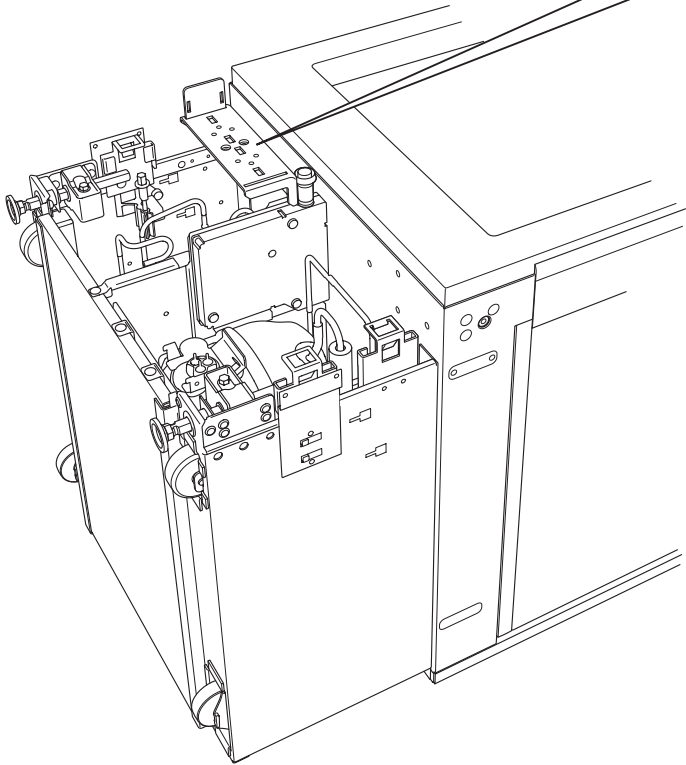
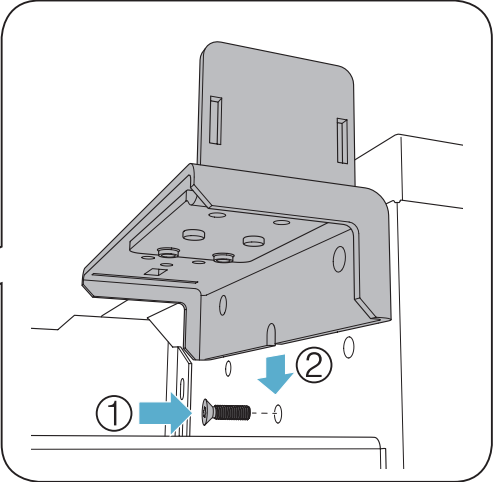
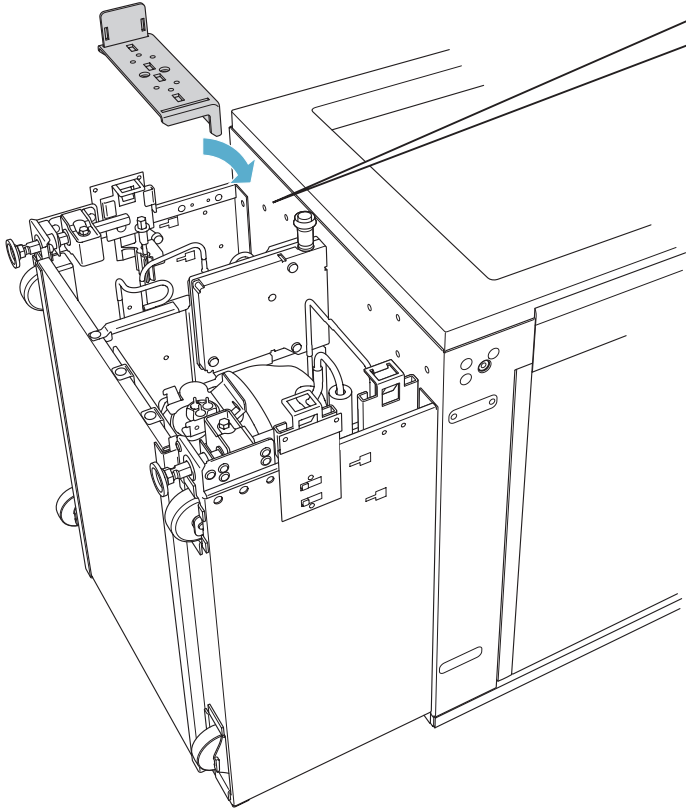
D





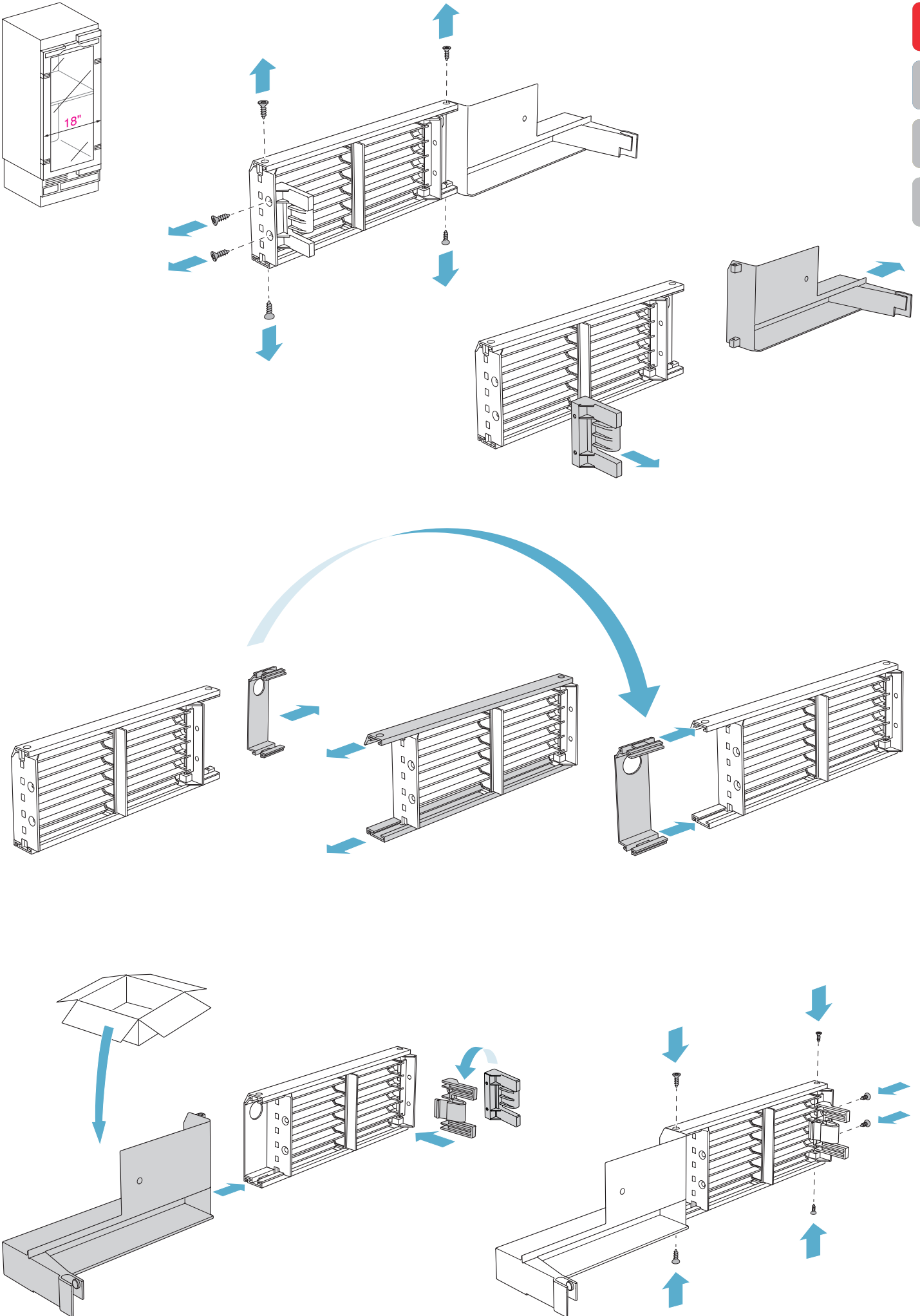


- A
- B
- C
- D

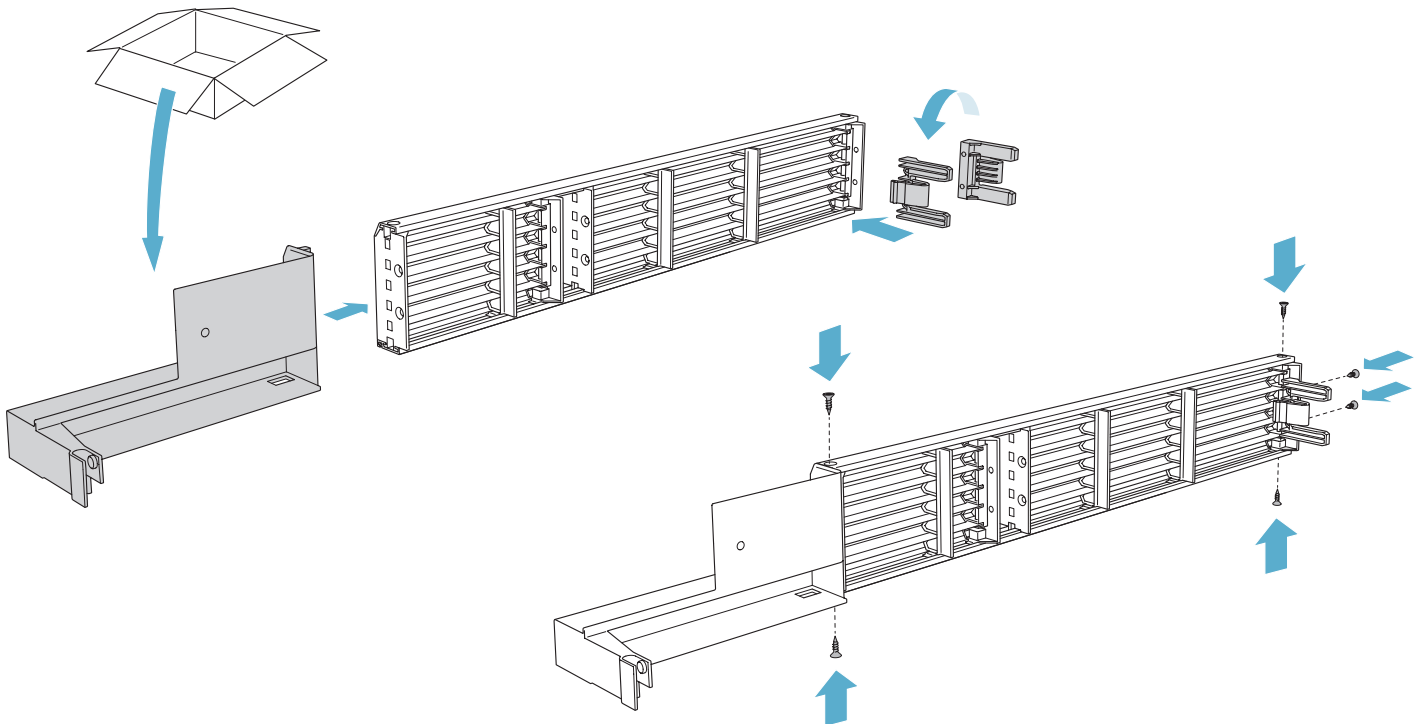
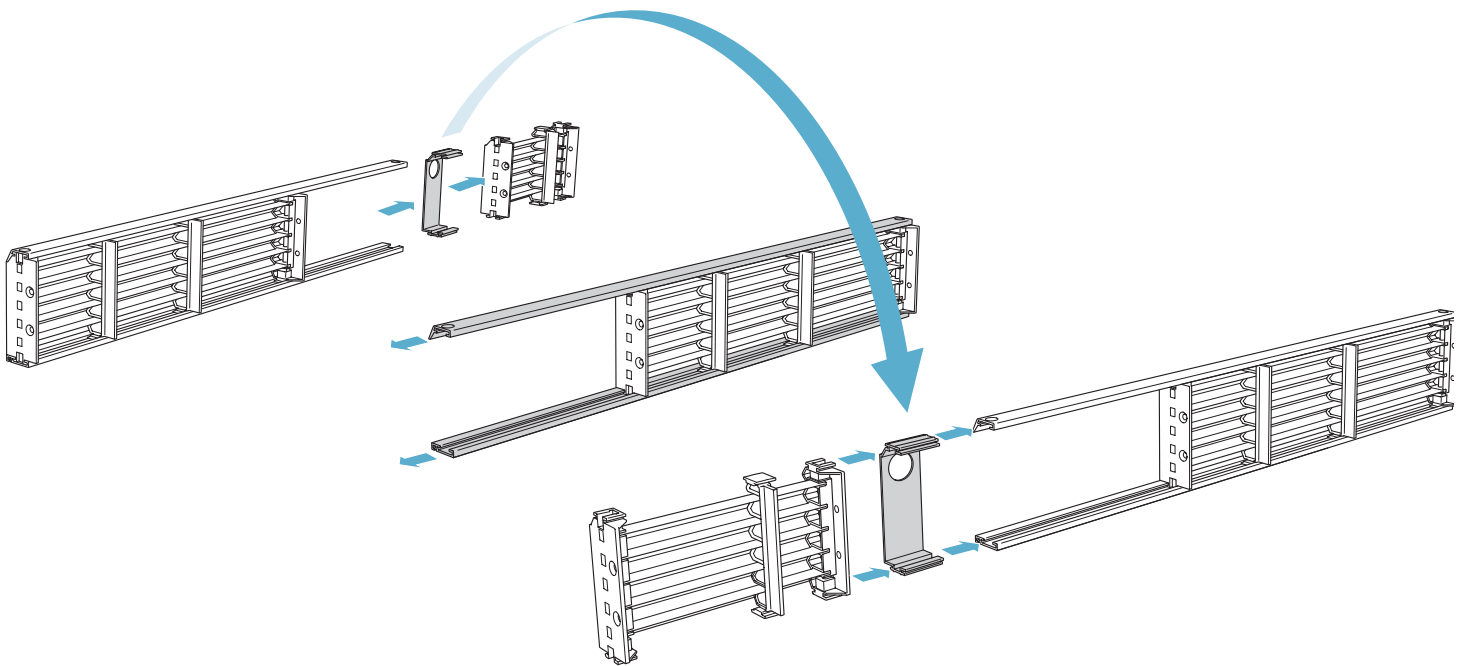
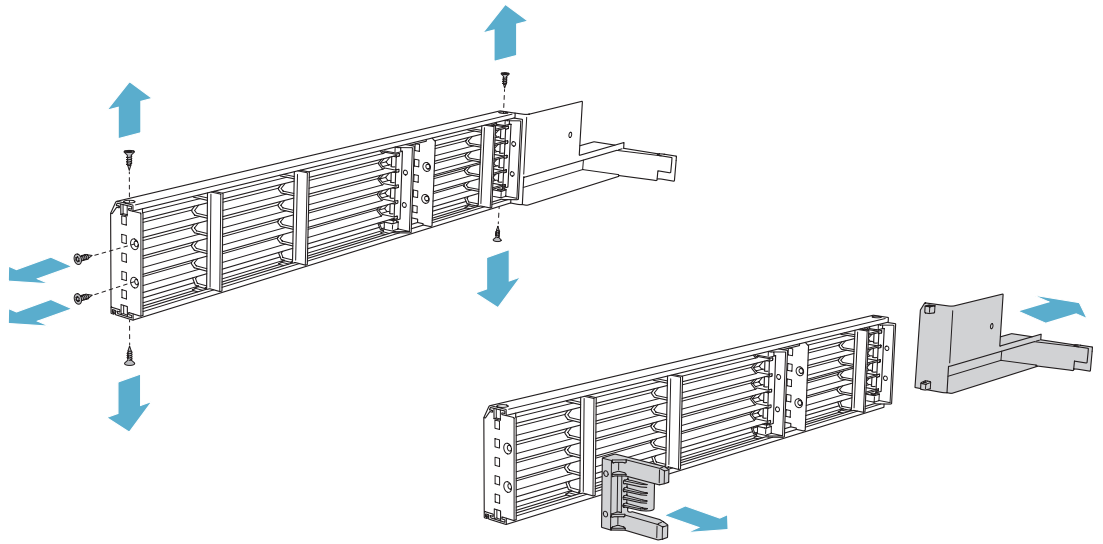
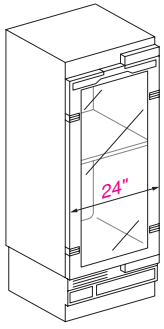


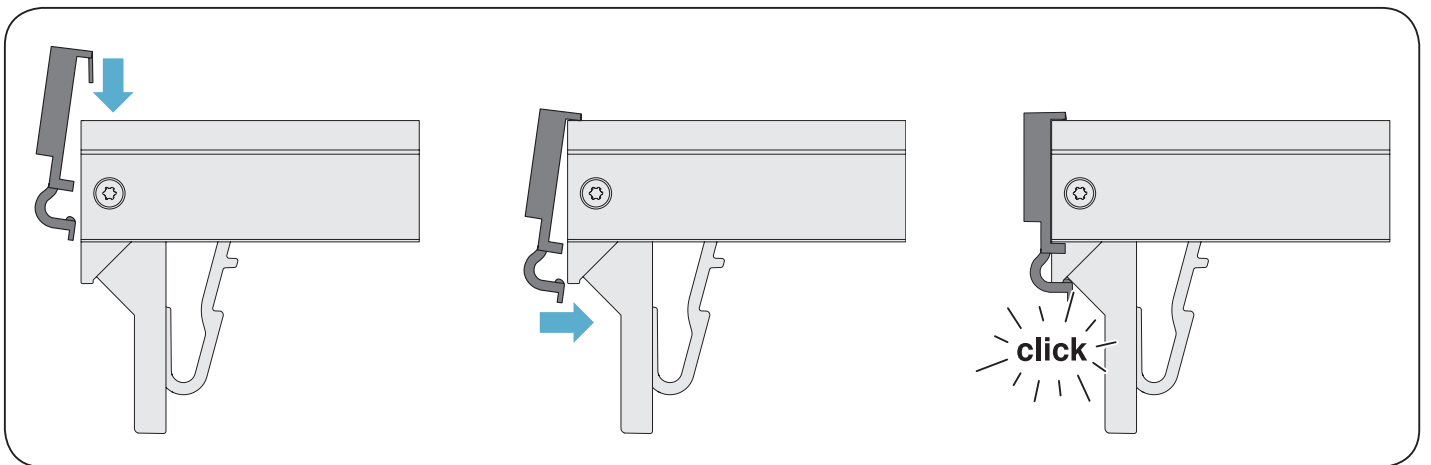
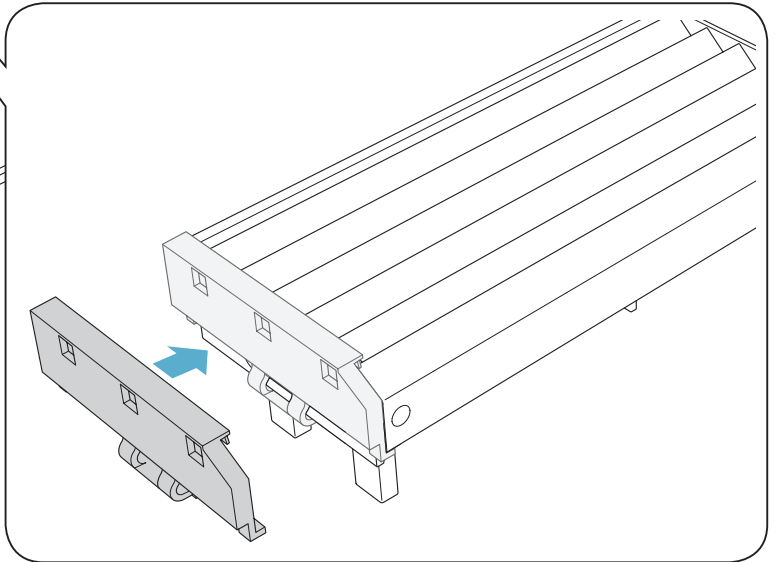
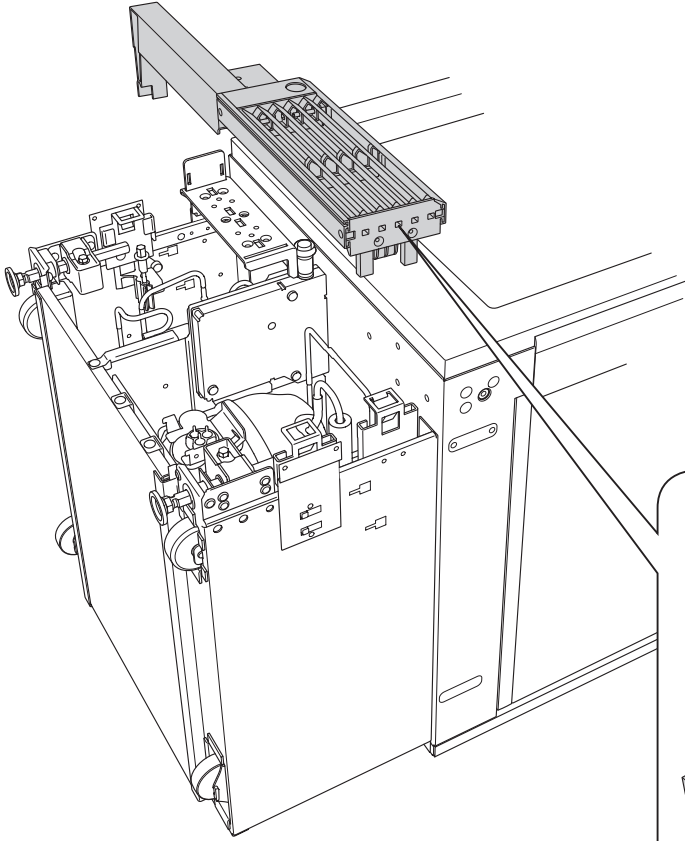
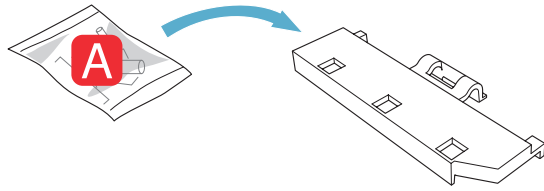


A  
B  
C  
D

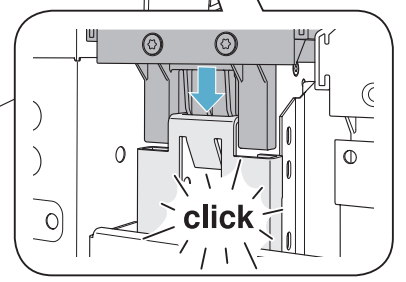
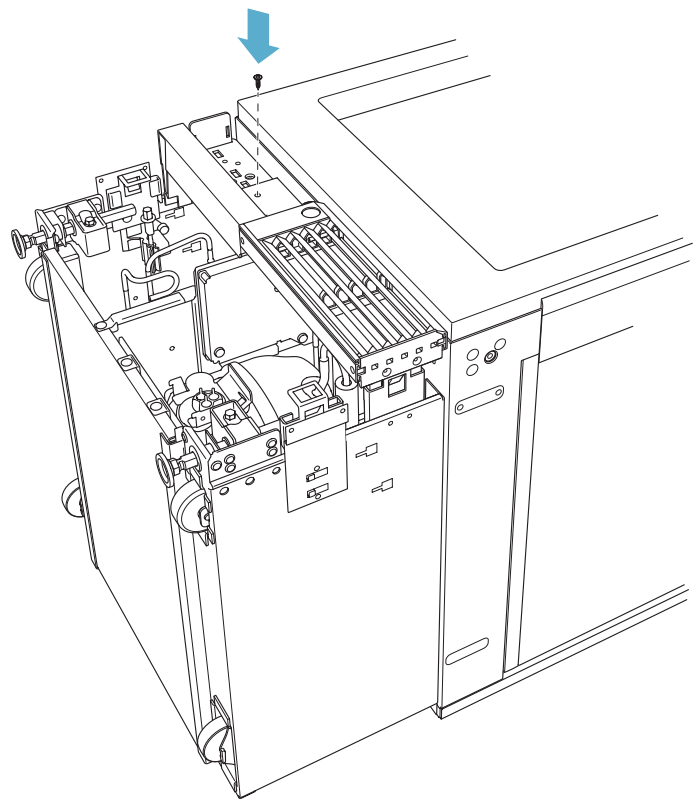
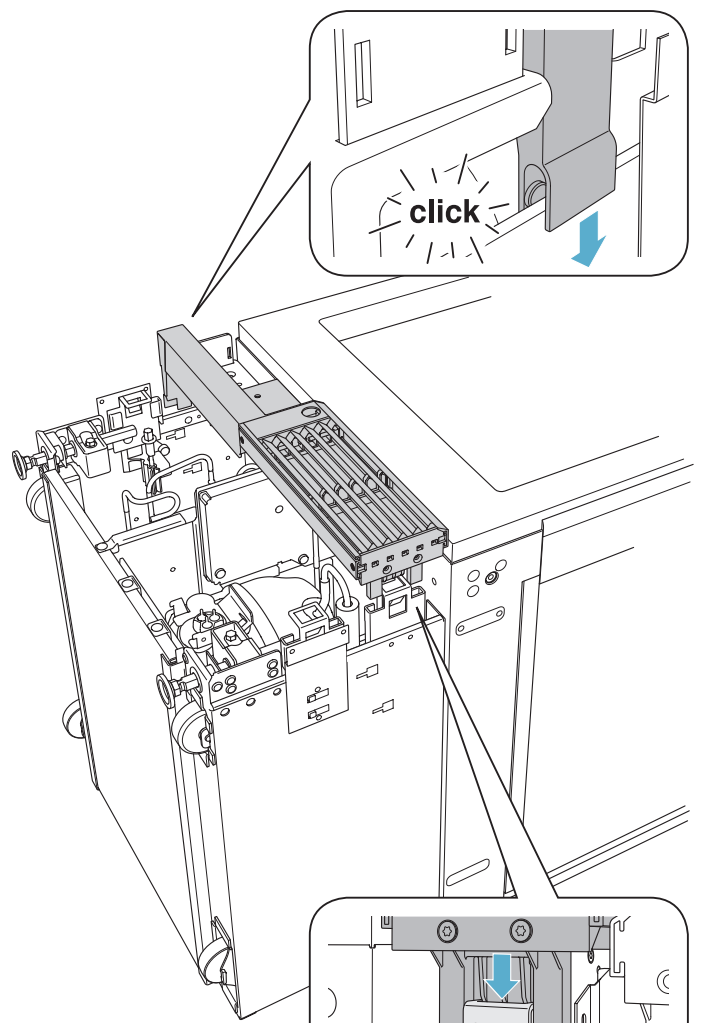
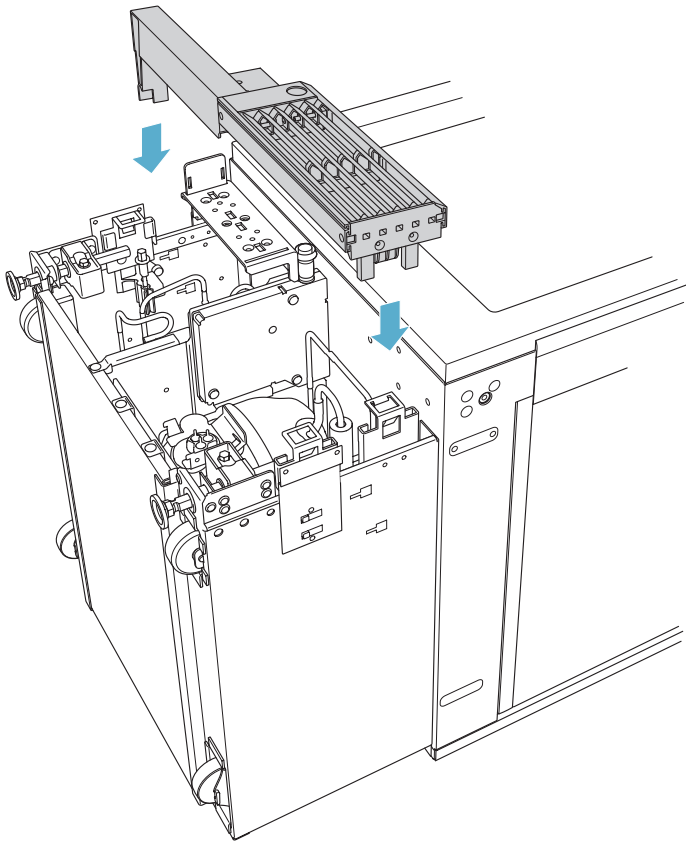


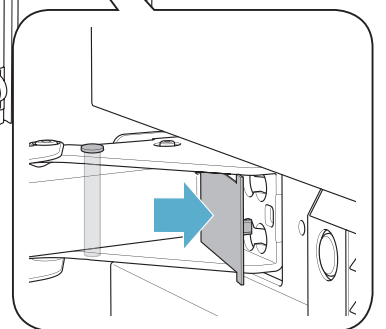
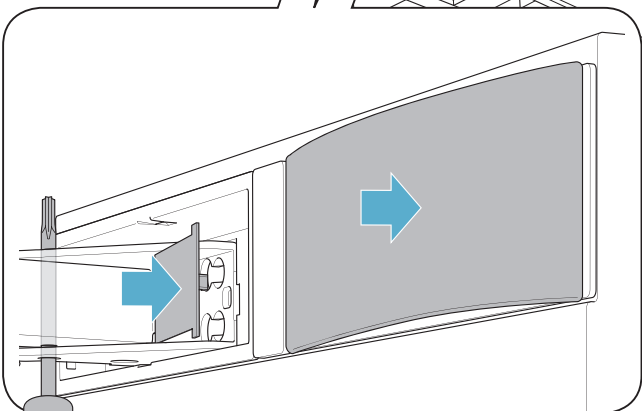
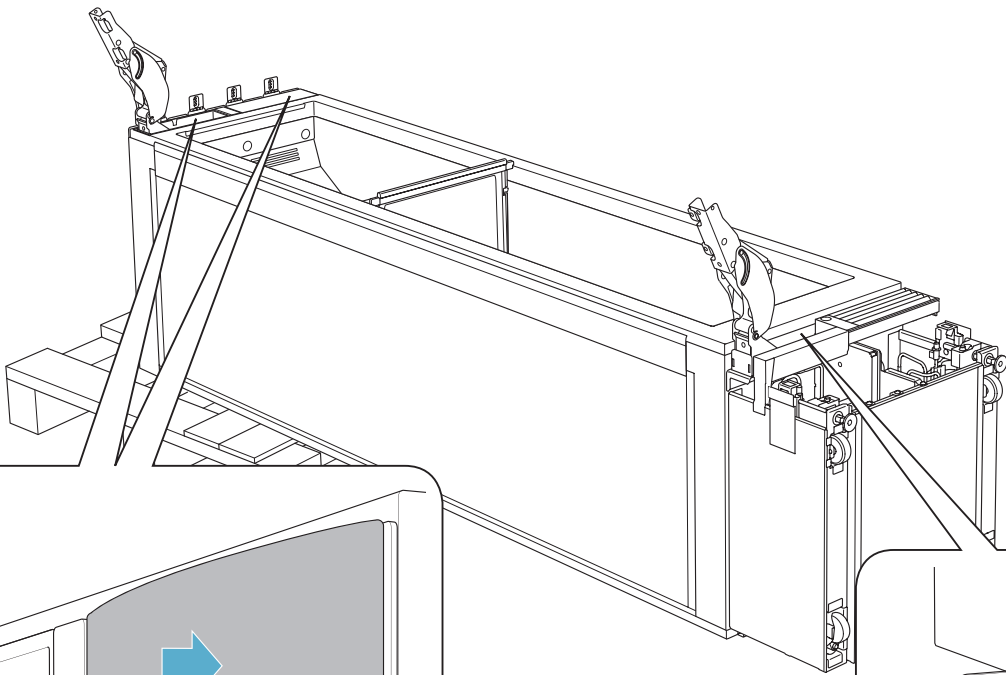
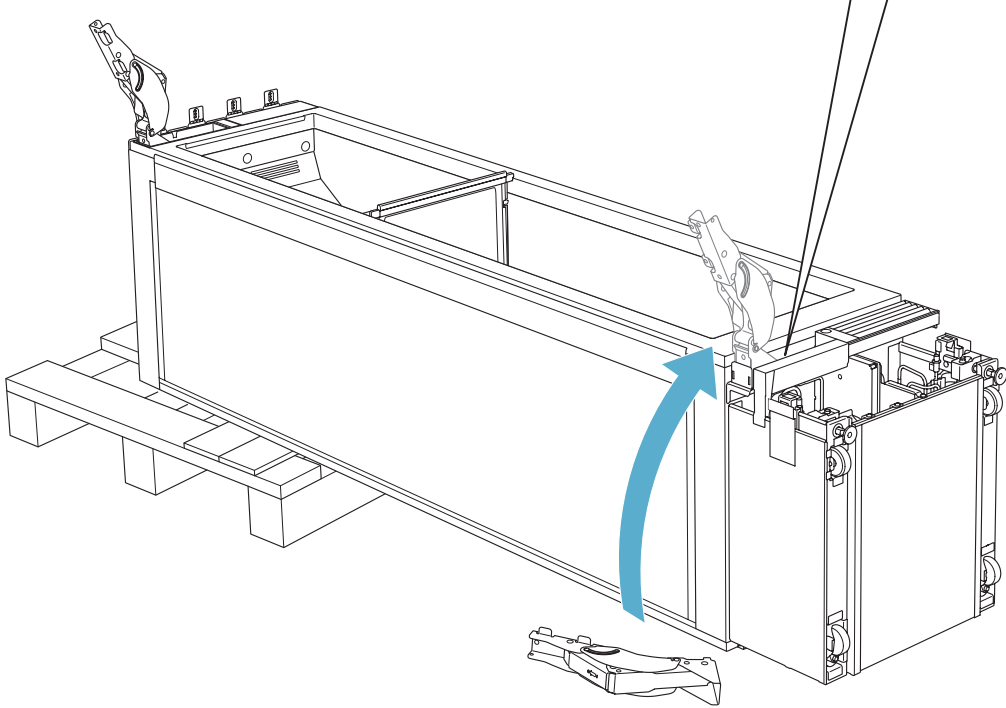
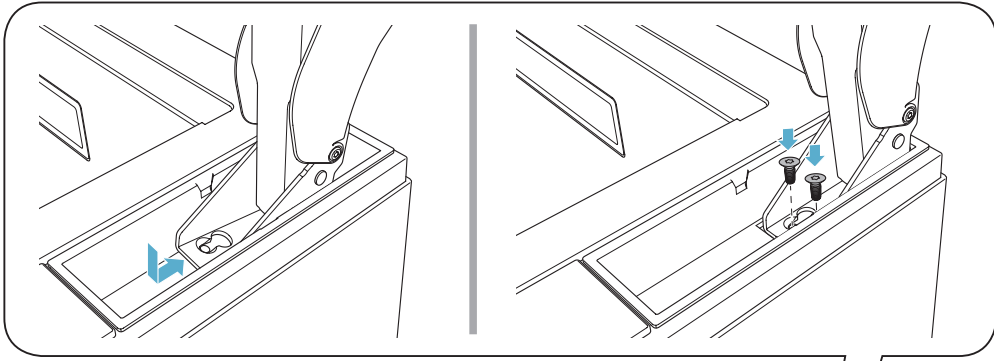
A  
B  
C  
D



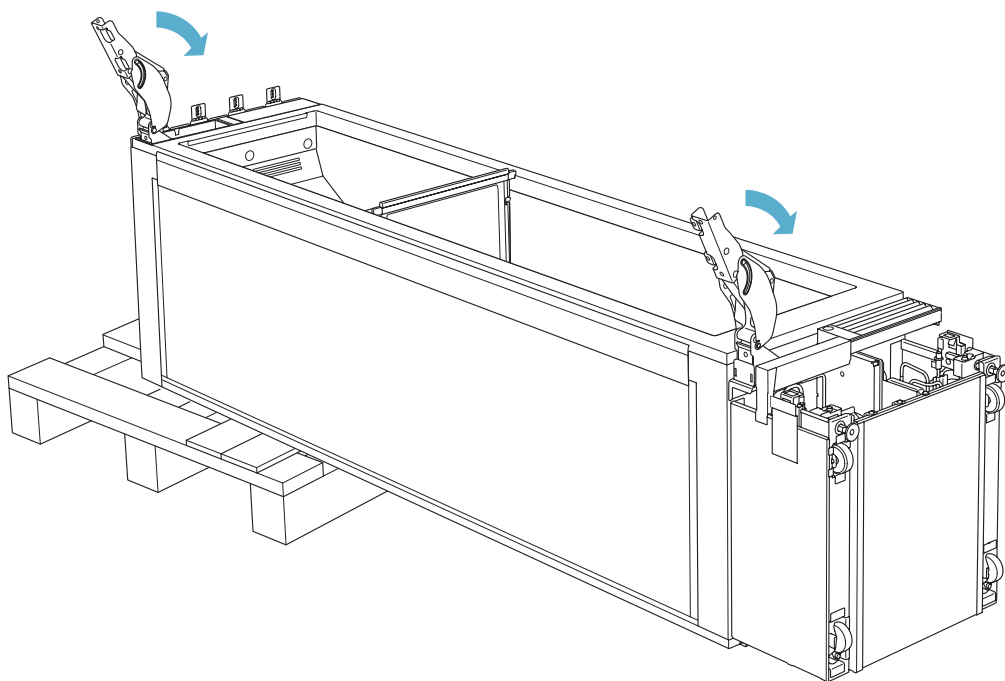
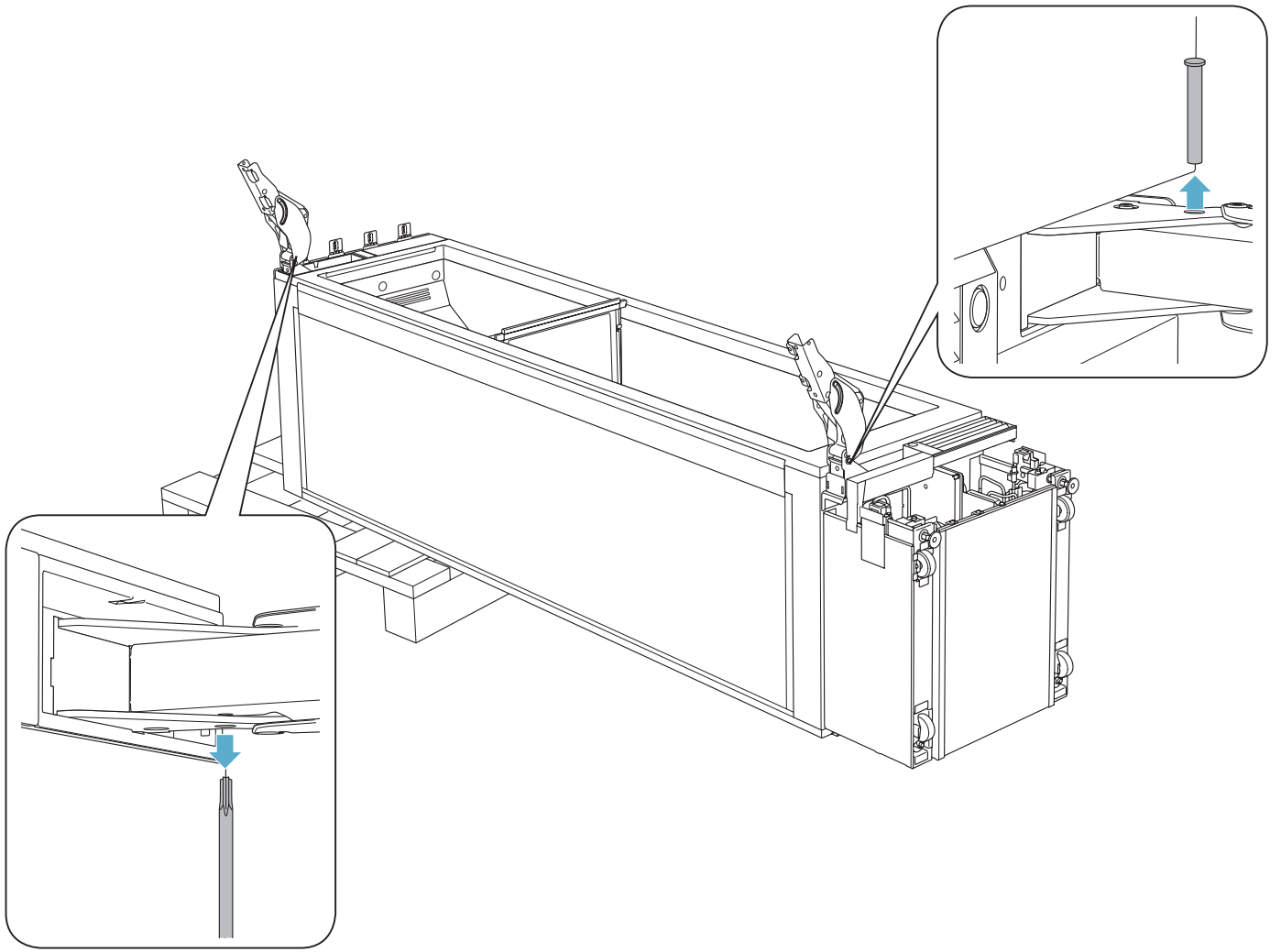


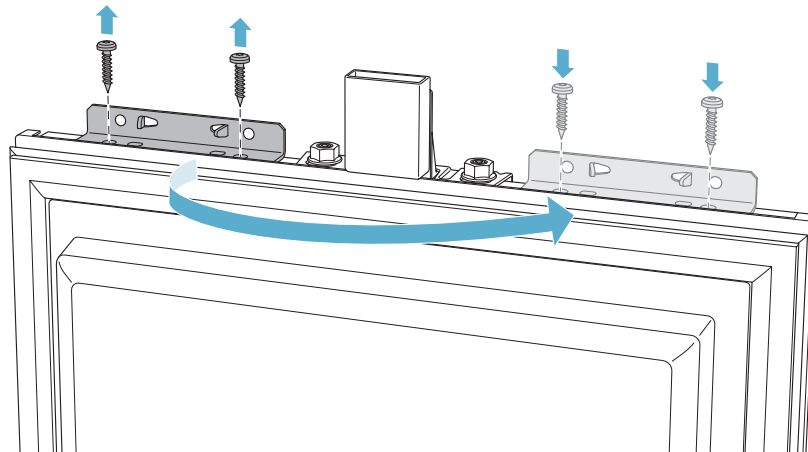
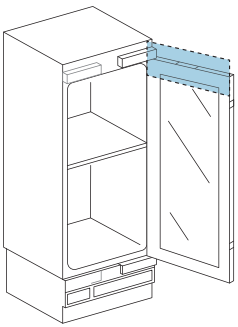
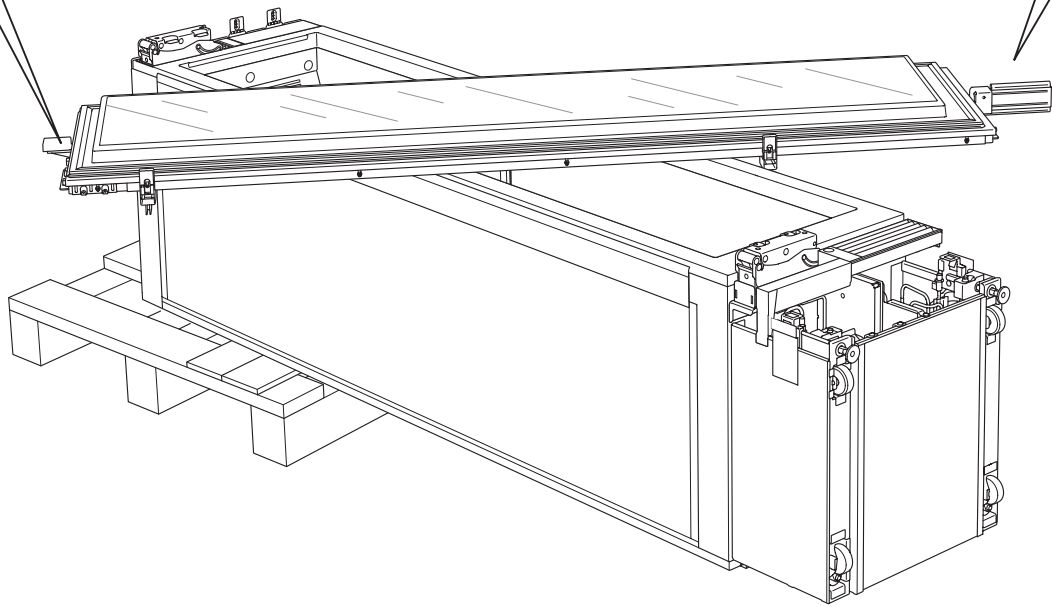
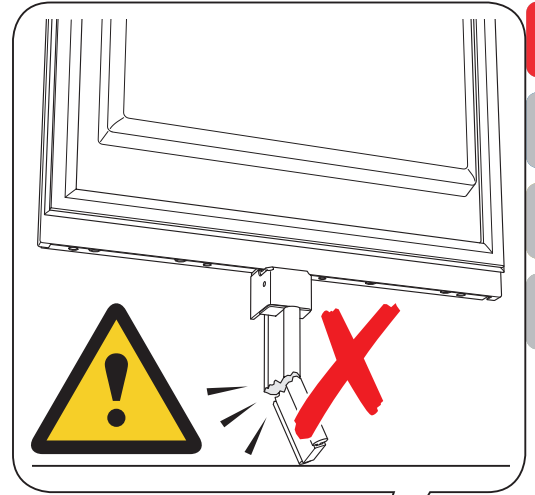
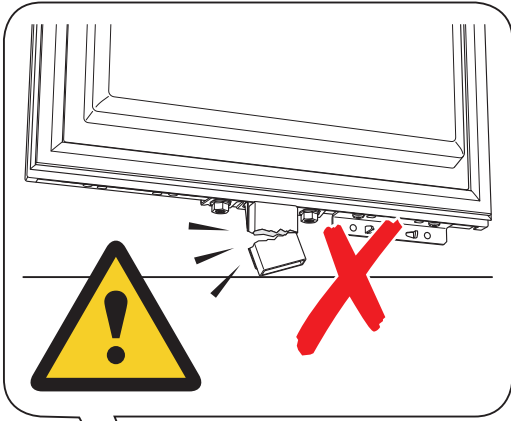
- A
- B
- C
- D





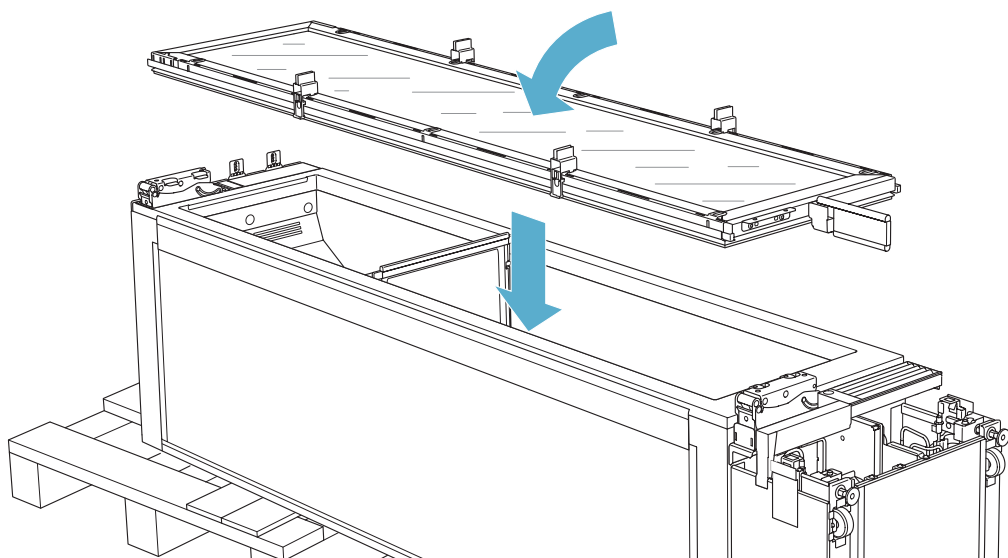
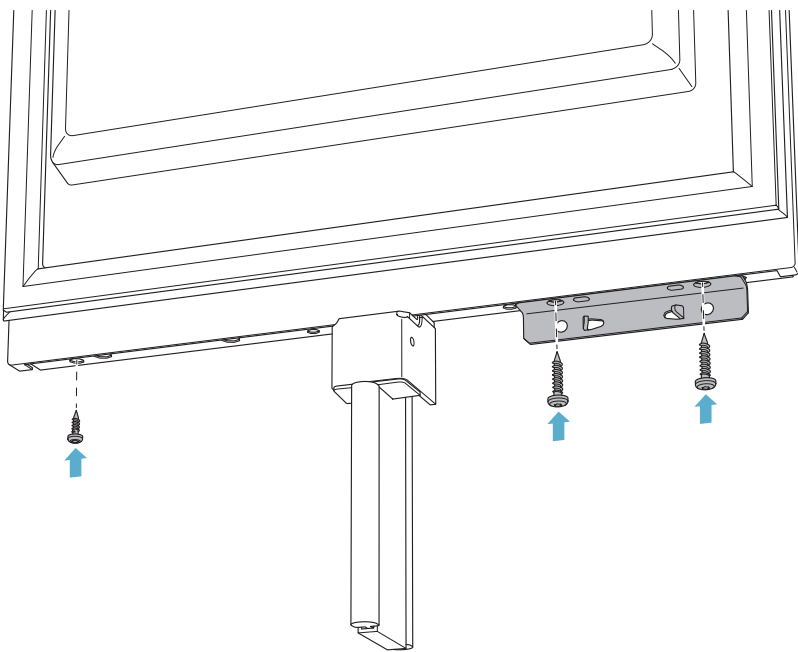
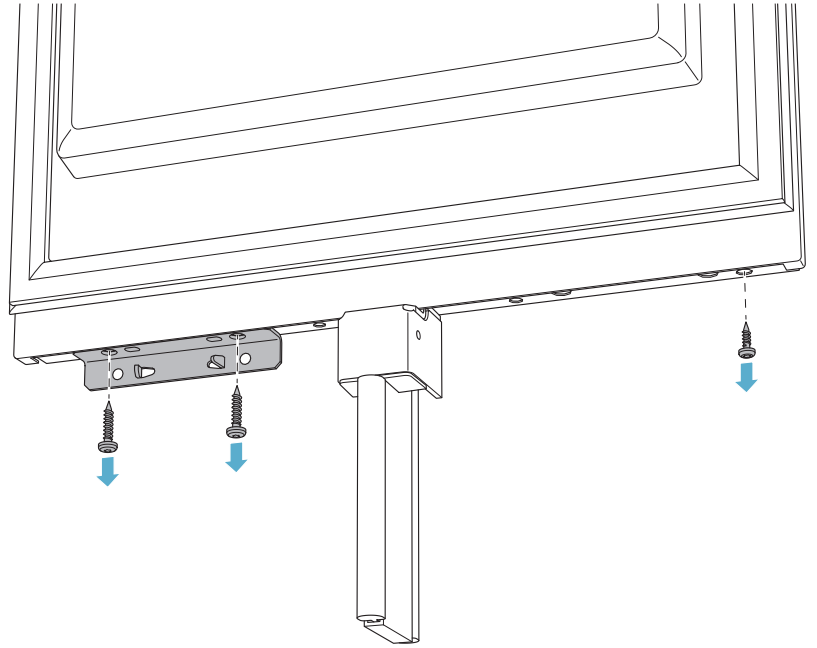
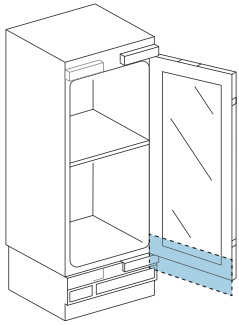
A  
B  
C  
D







A  
B  
C  
D





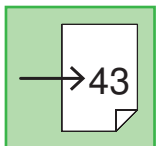
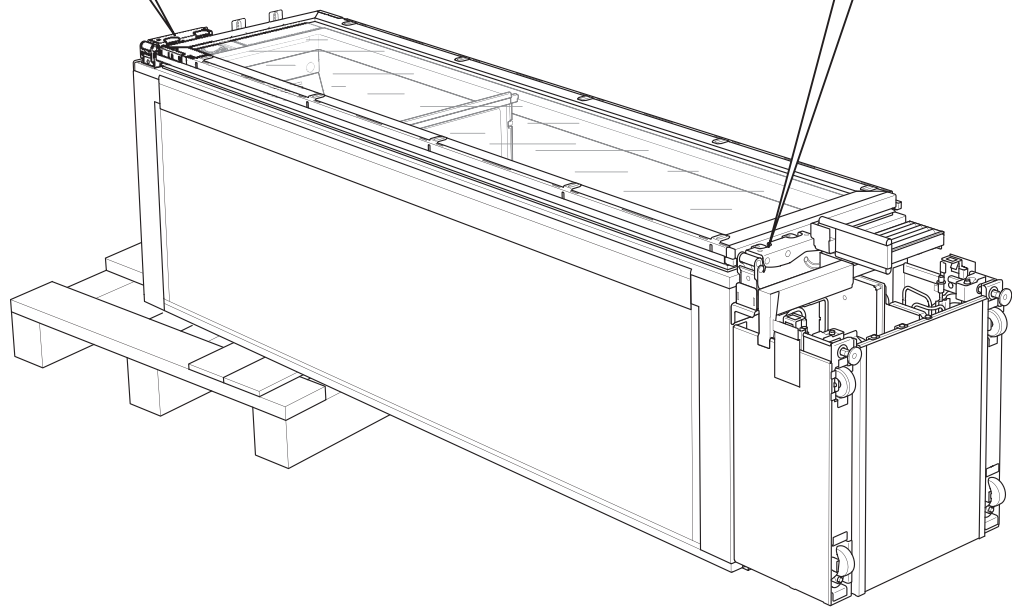
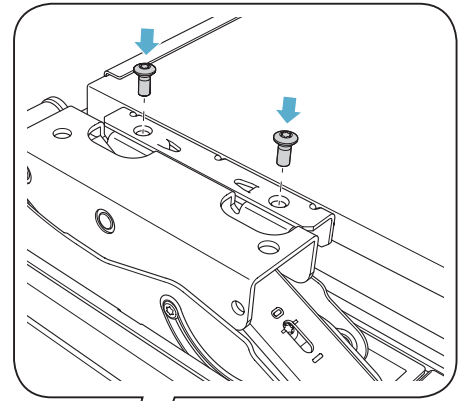
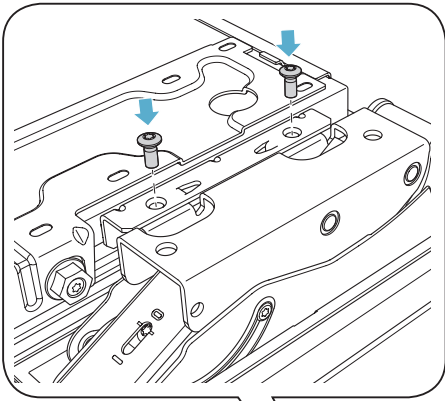
A

A

B

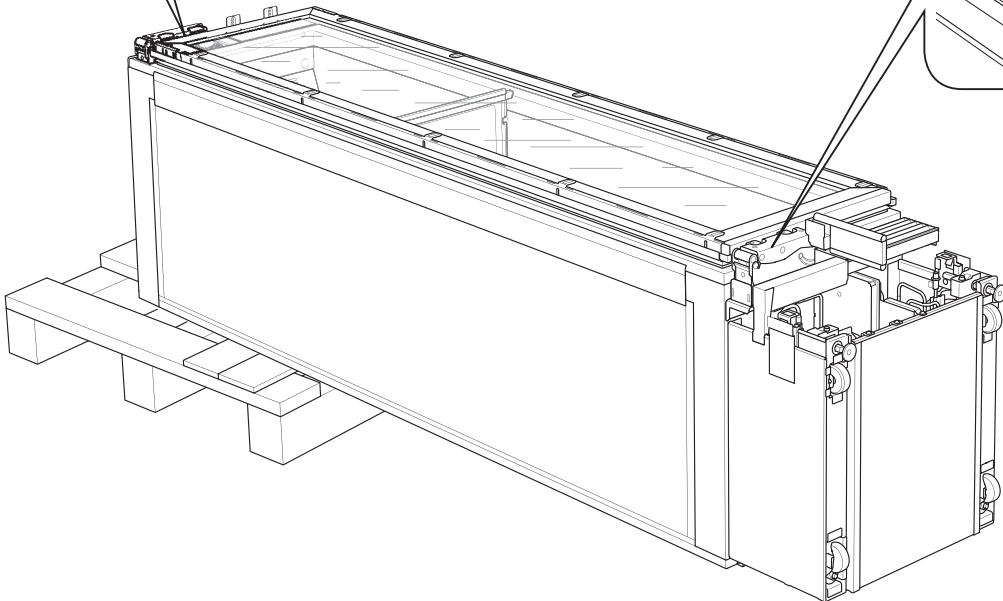
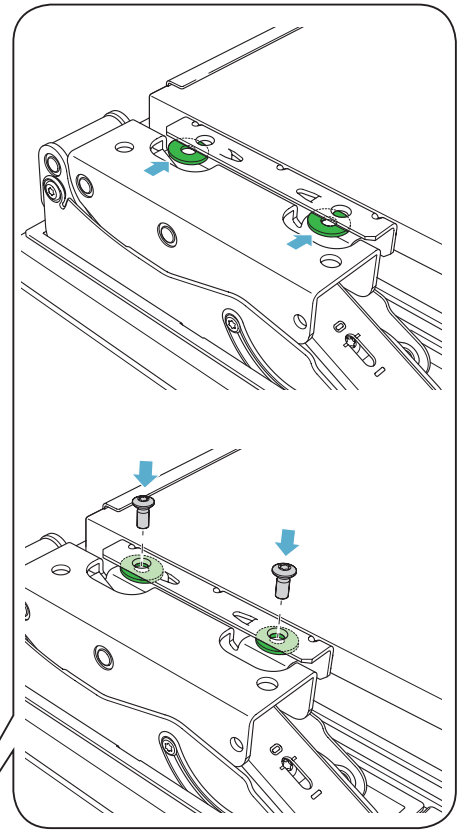
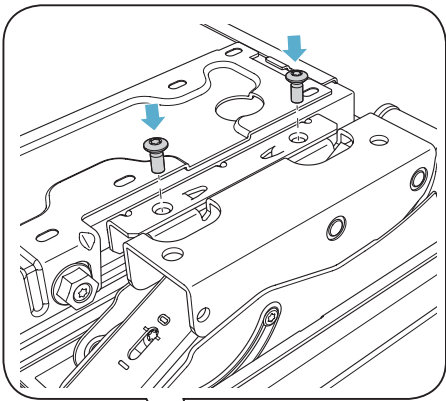
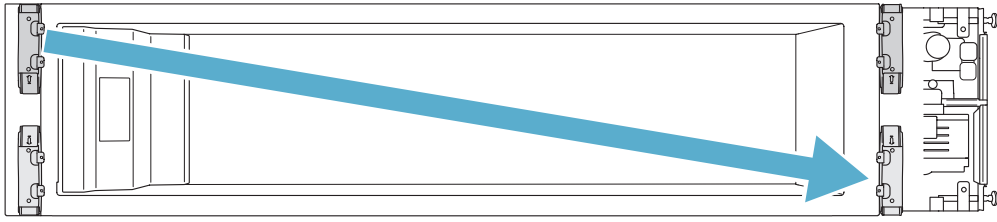
C

D

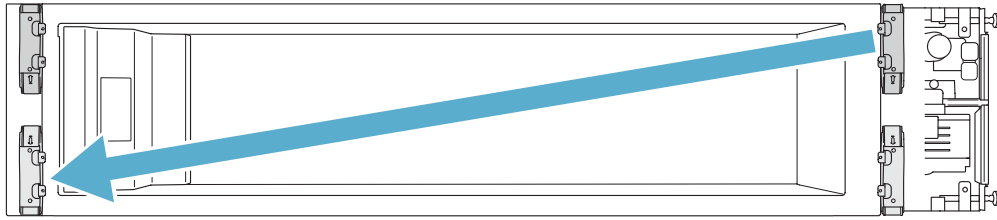


A  
B  
C  
D

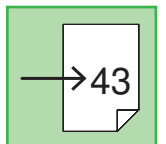
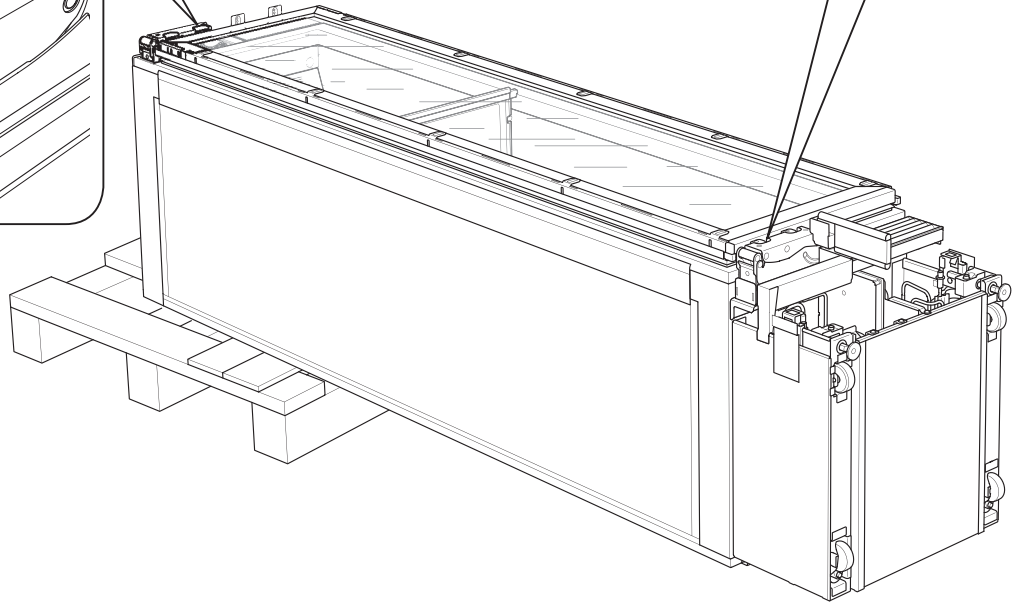
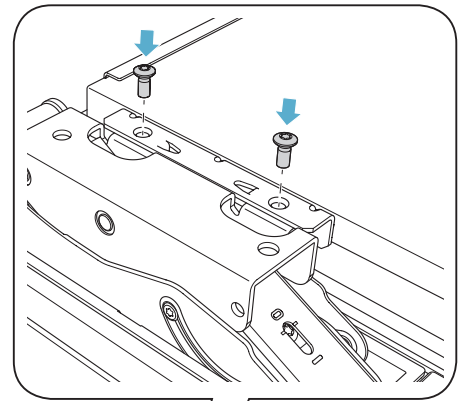
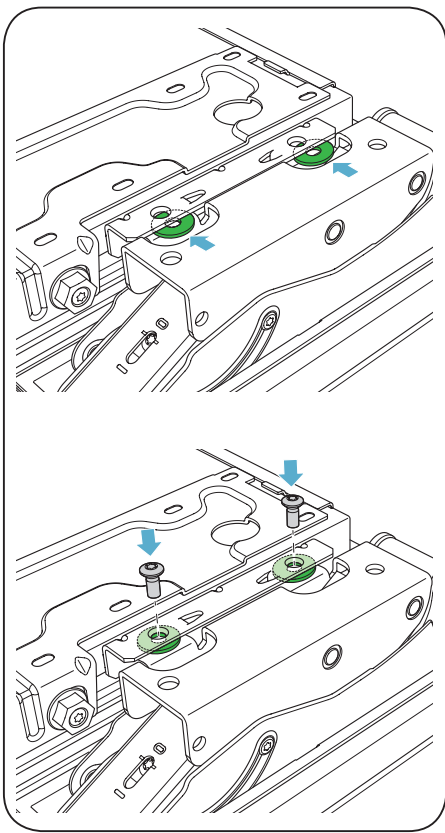
(B)  
○ ○



→ 43

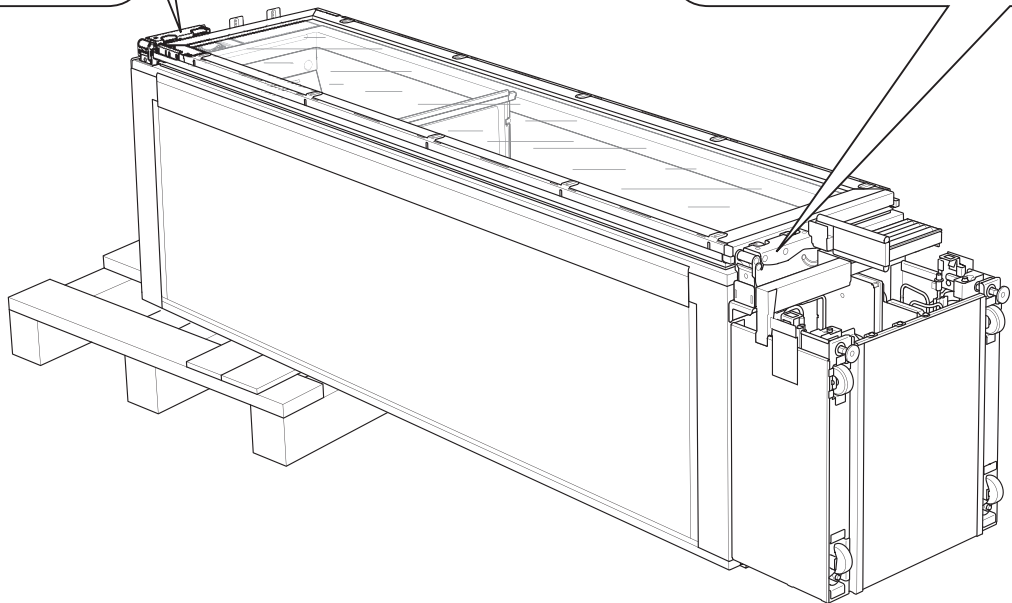
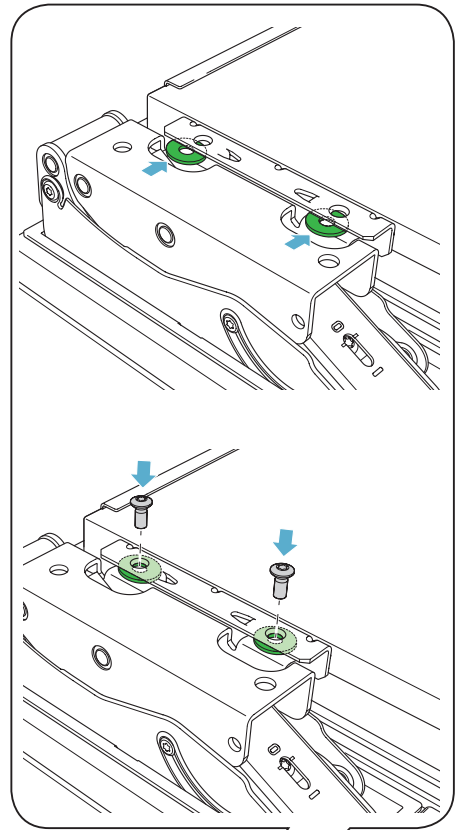
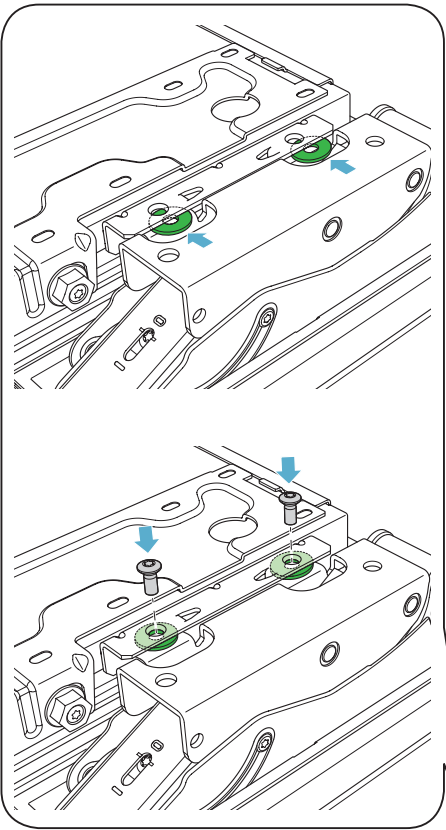
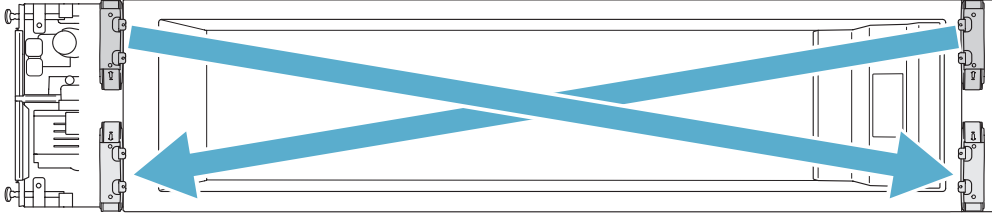


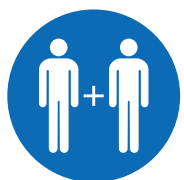
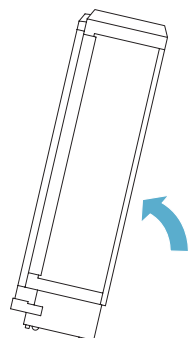
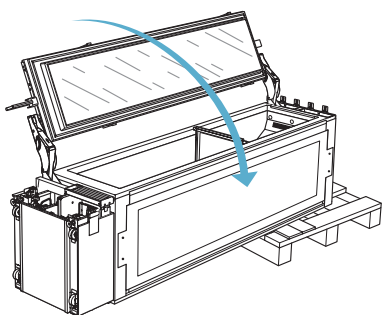
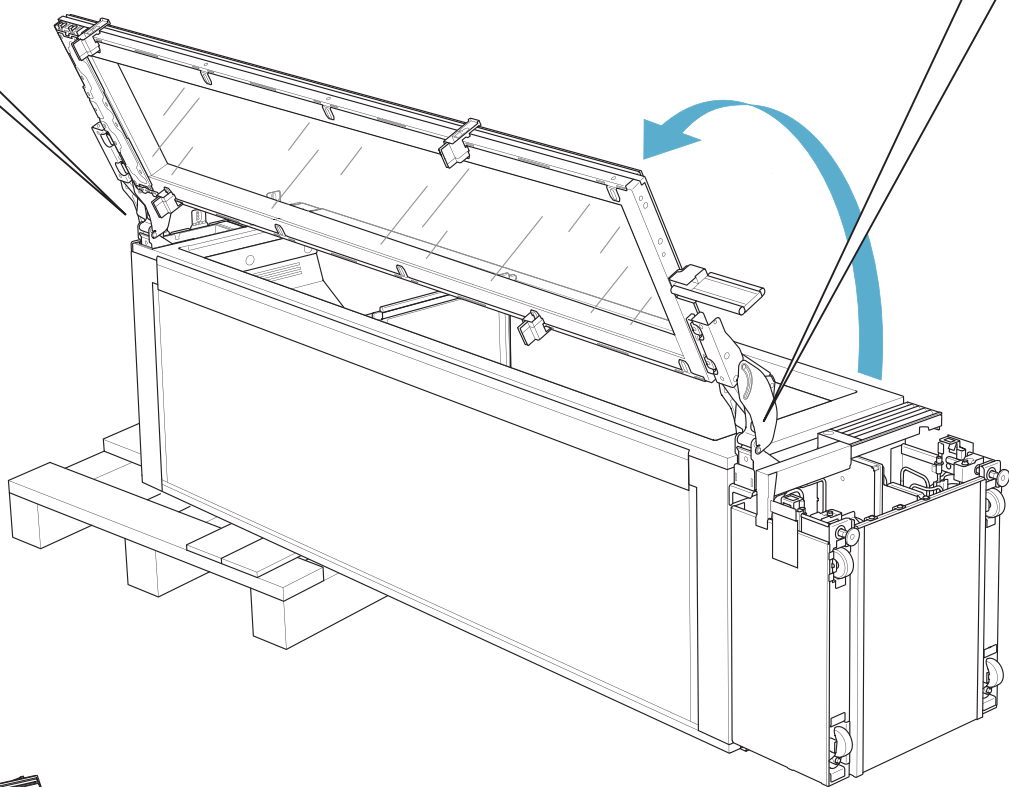
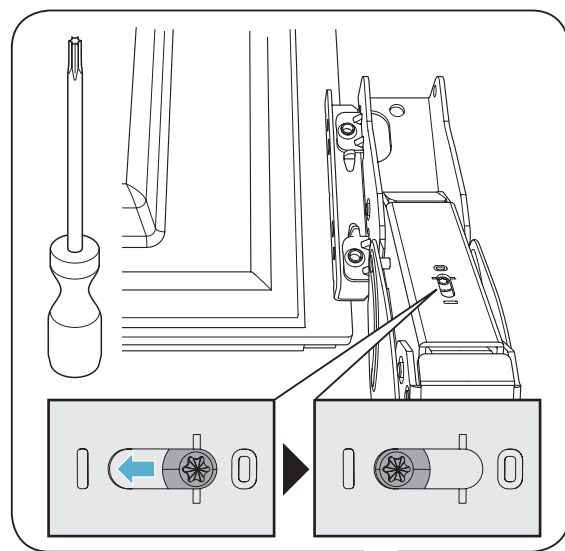
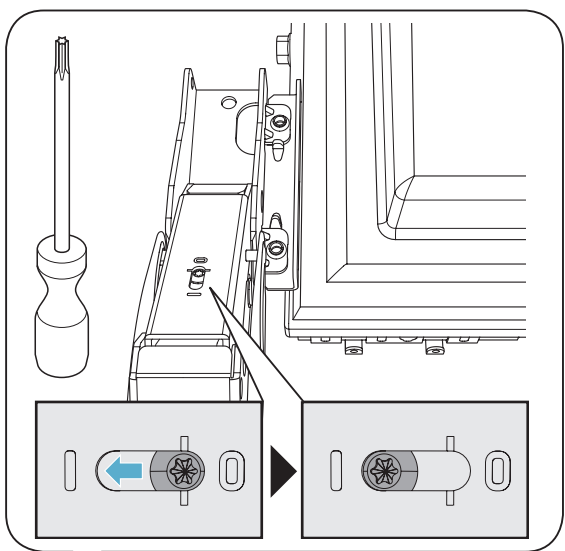
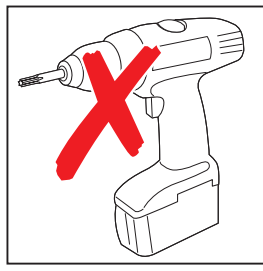
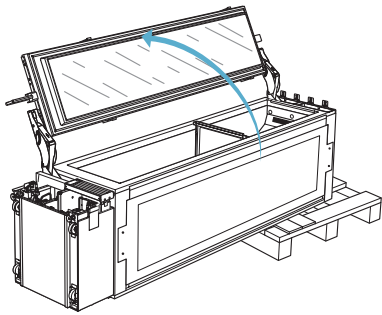
- A
- B
- C
- D



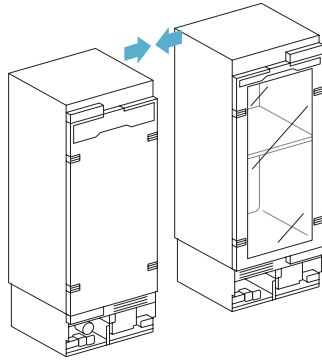
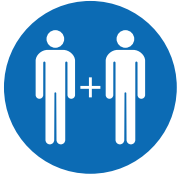
A  
B  
C  
D

D

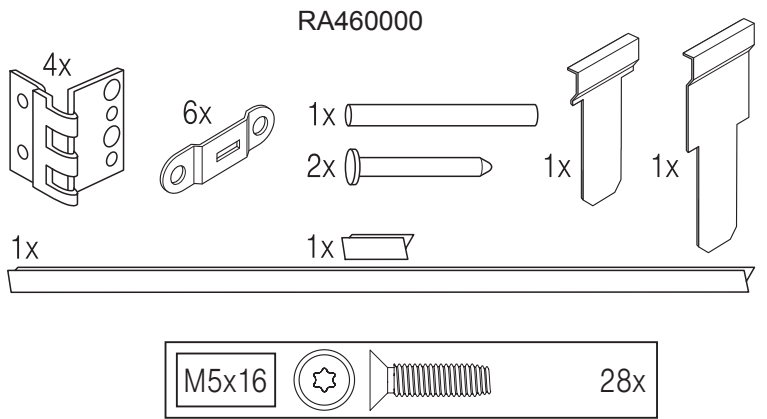
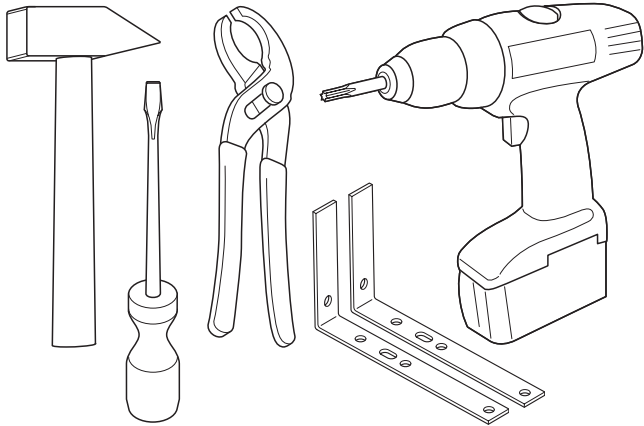




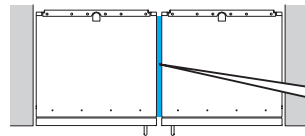




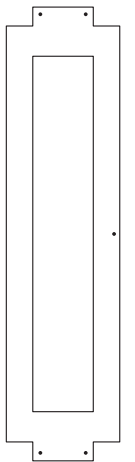
A  
B  
C  
D



46

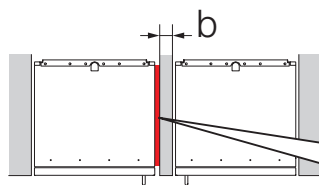


RA460000

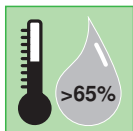
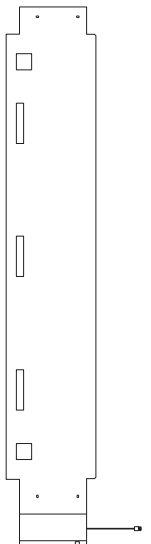


49

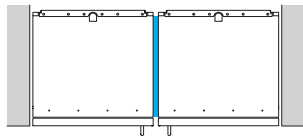
$\frac{5}{8}'' \leq b < 6\frac{1}{4}''$   
(16 mm  $\leq$  b < 160 mm)



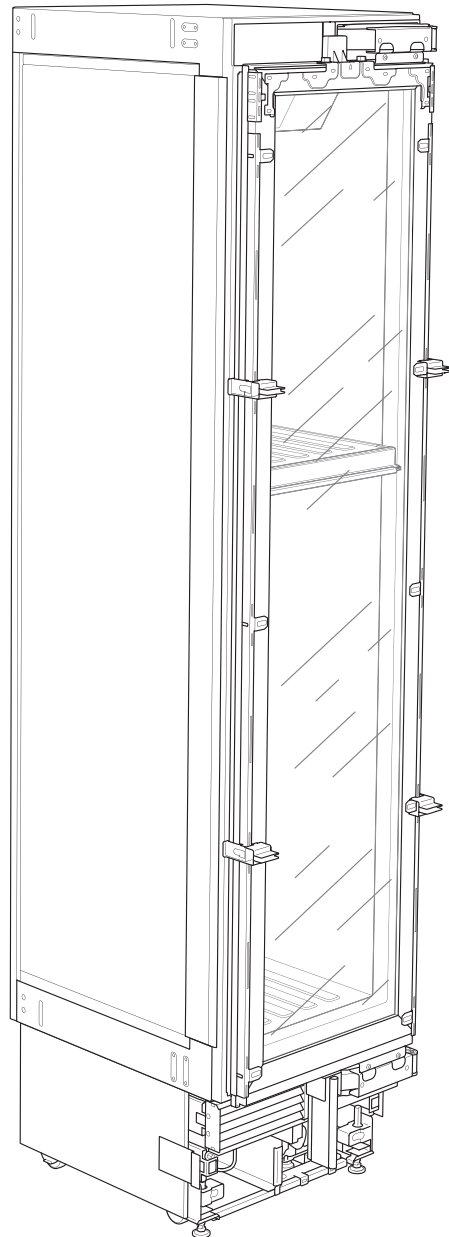
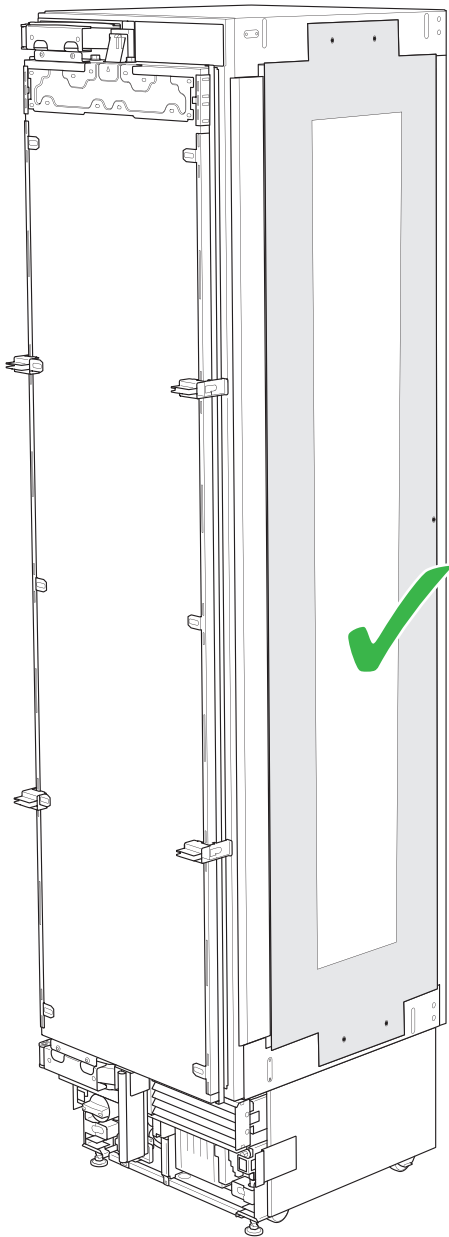
RA460013




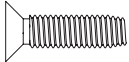
A  
B  
C  
D



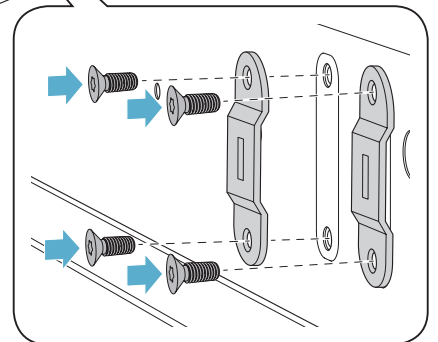
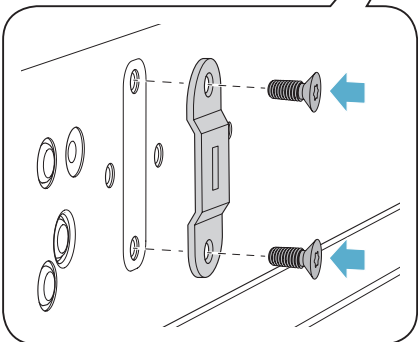
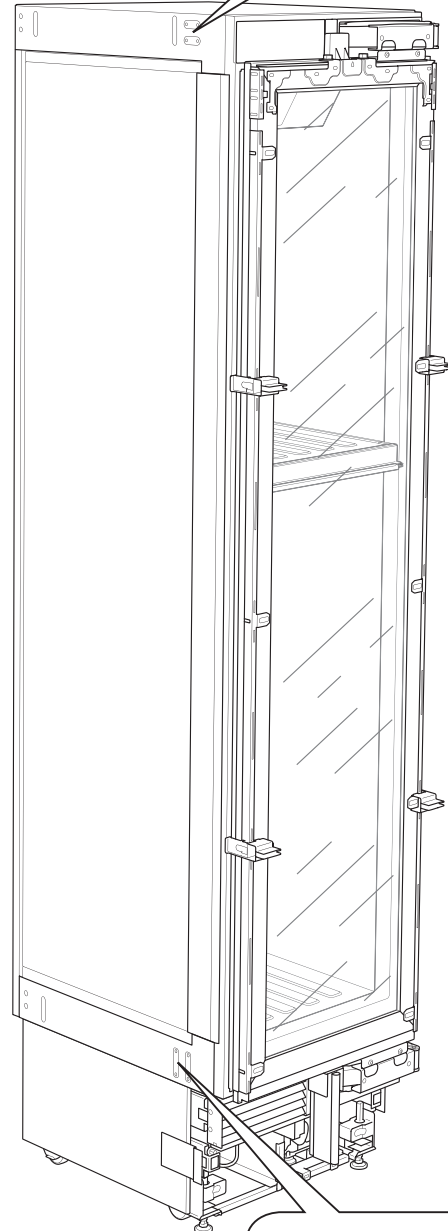
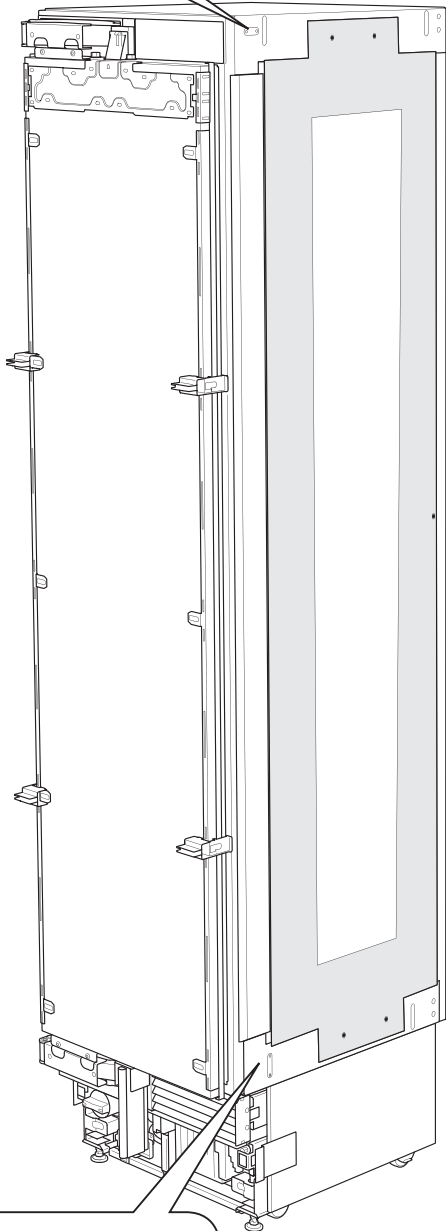
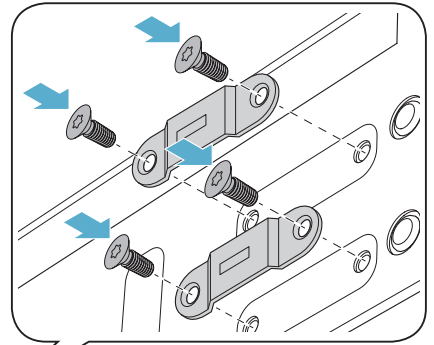
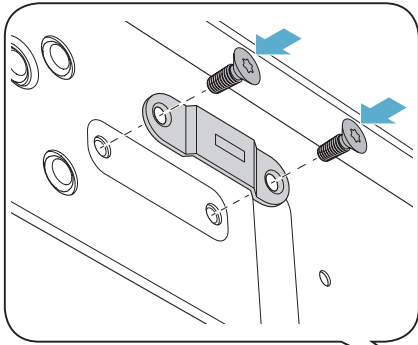
RA460000





M5x16   12x

A  
B  
C  
D



A

B

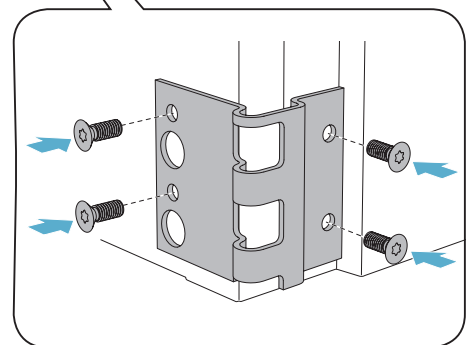
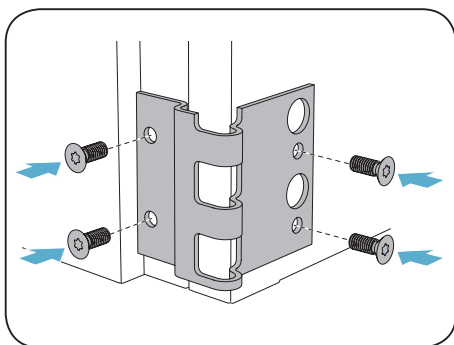
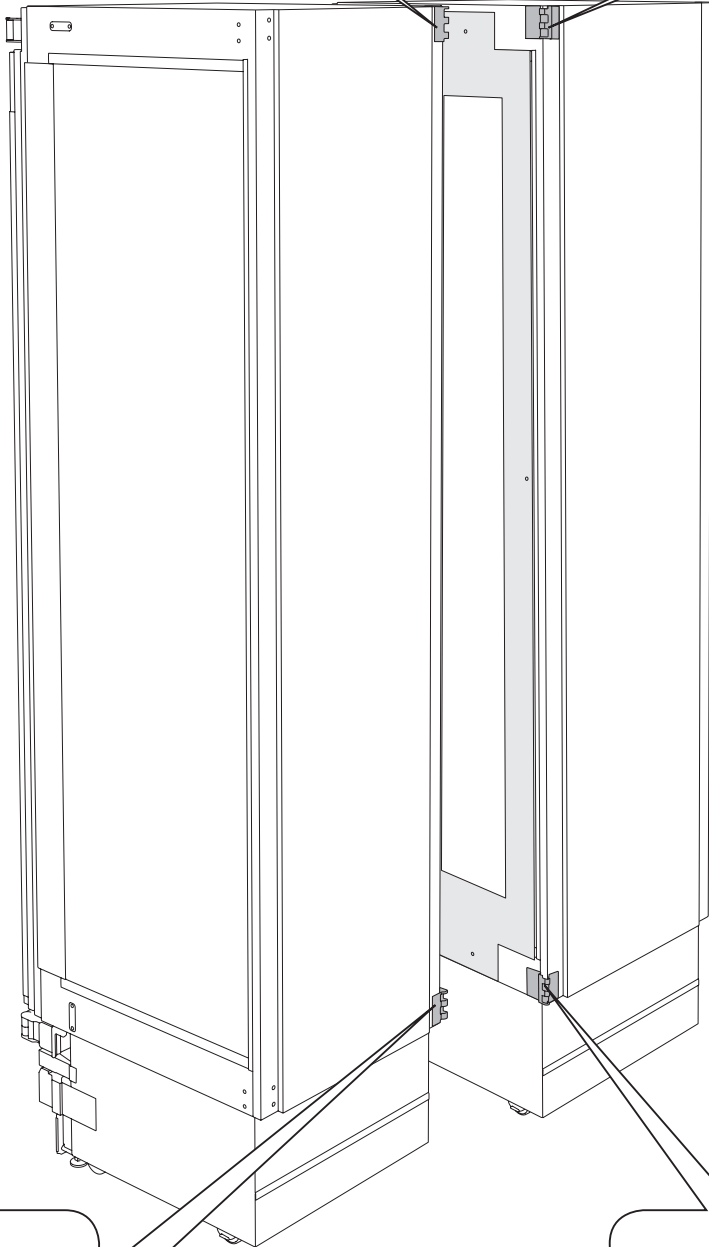
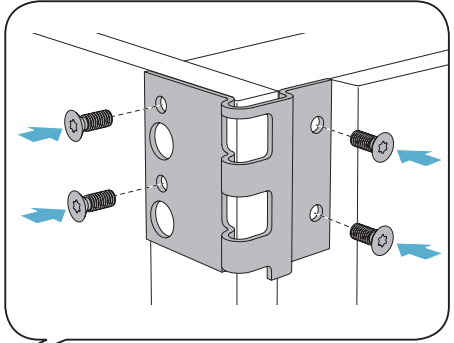
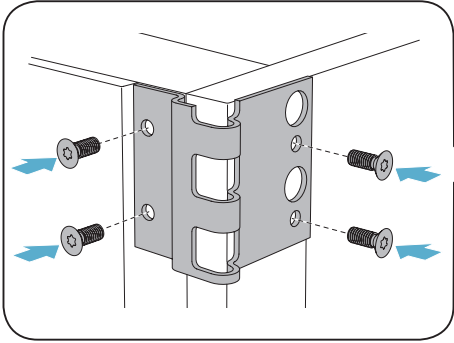
C

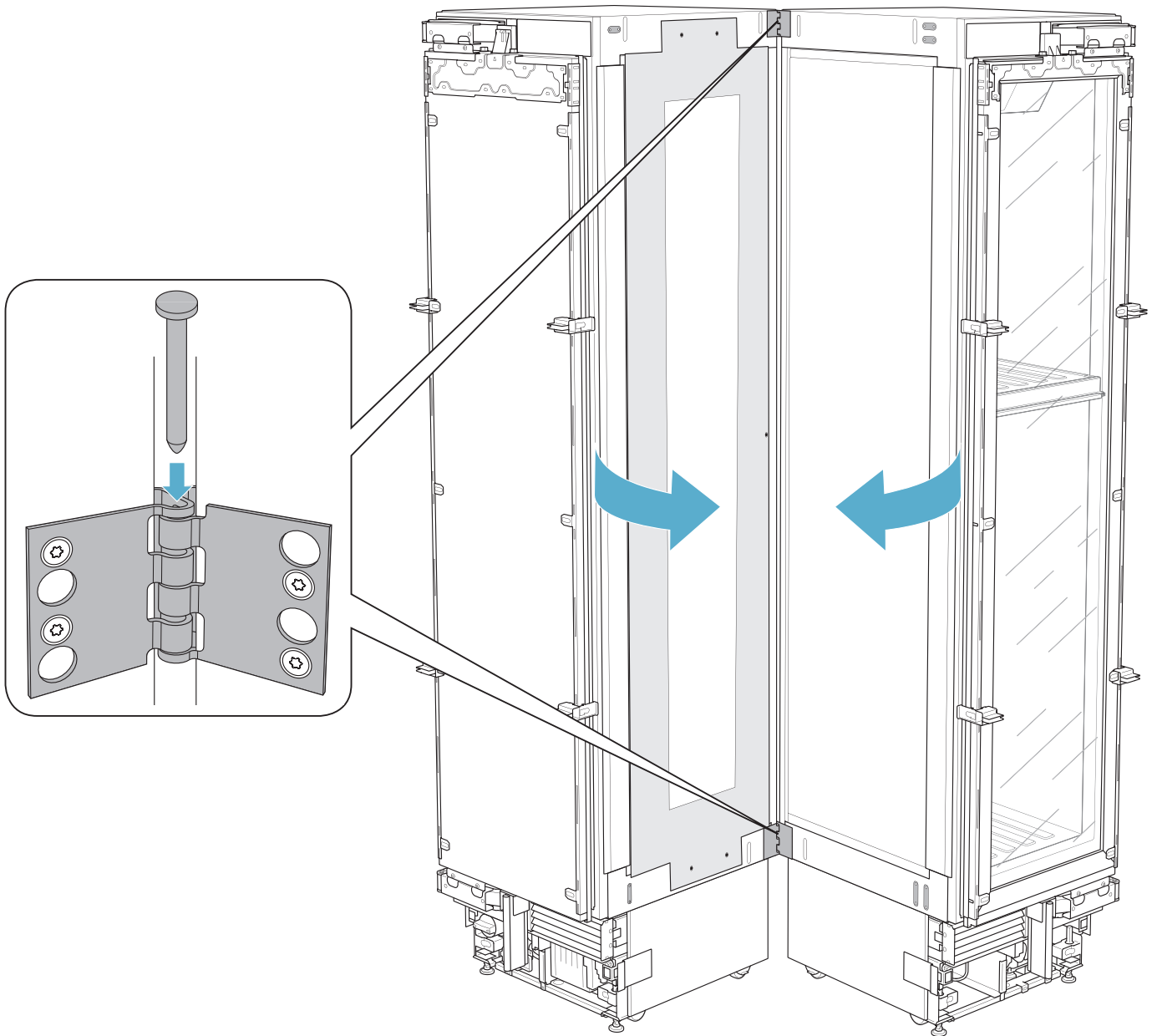
D

M5x16



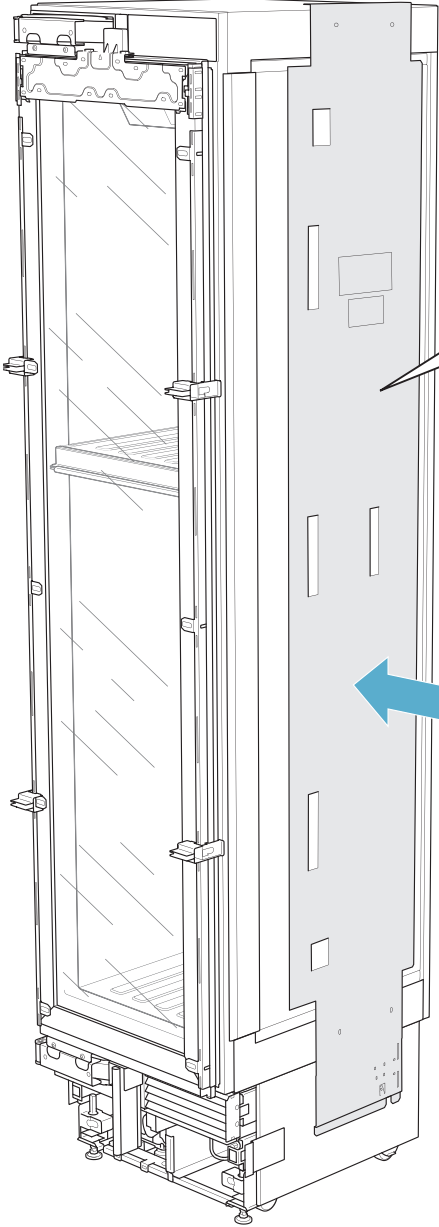
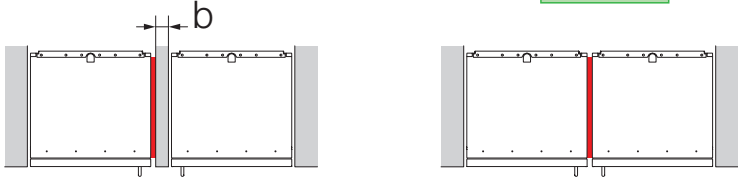
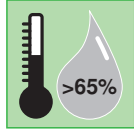
16x



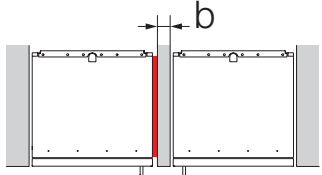


A  
B  
C  
D



$\frac{5}{8}'' \leq b < 6\frac{1}{4}''$   
(16 mm  $\leq$  b < 160 mm)



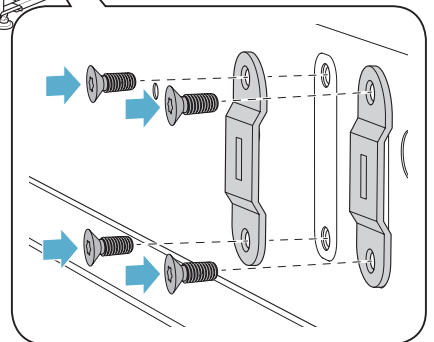
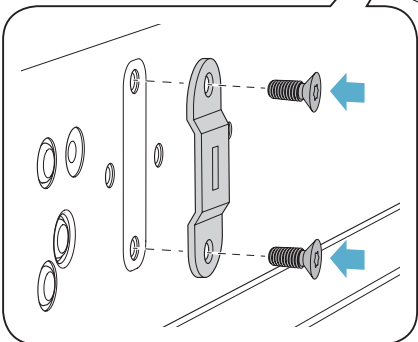
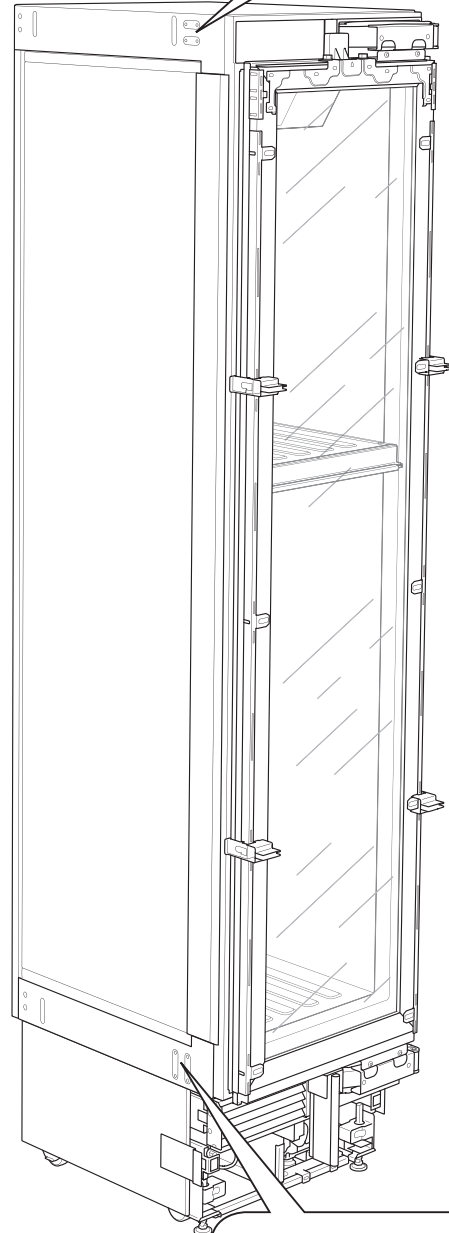
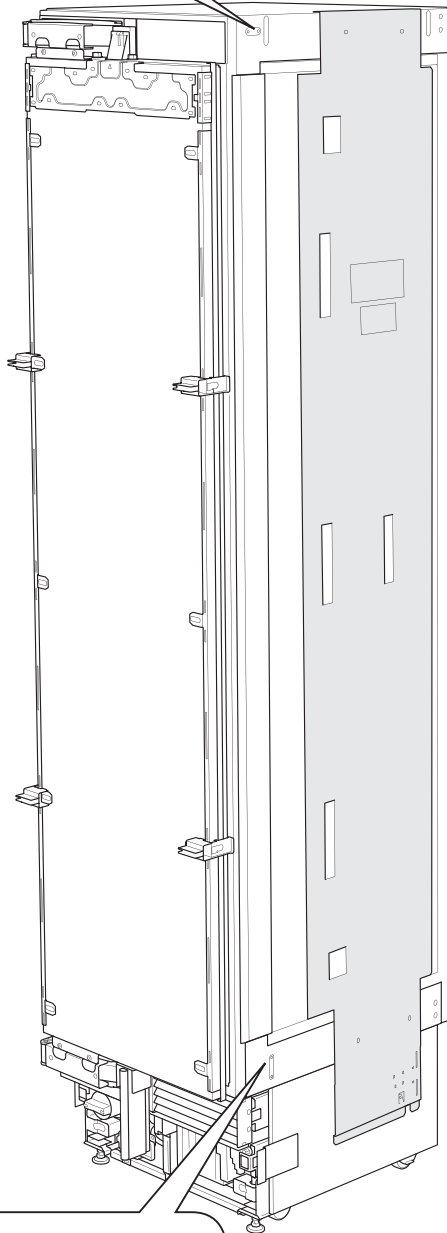
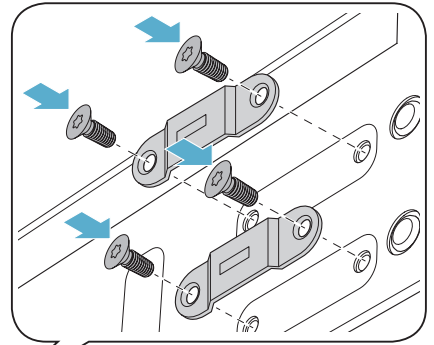
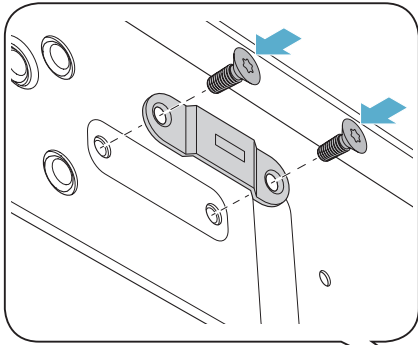
RA460013



→ 52

M5x16   12x

A  
B  
C  
D



A

B

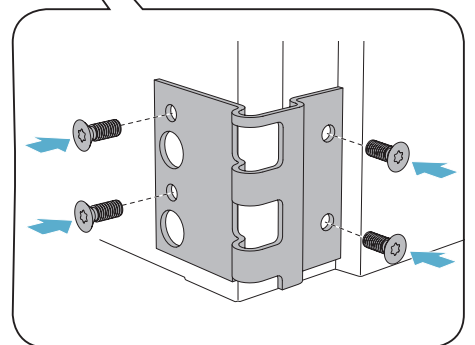
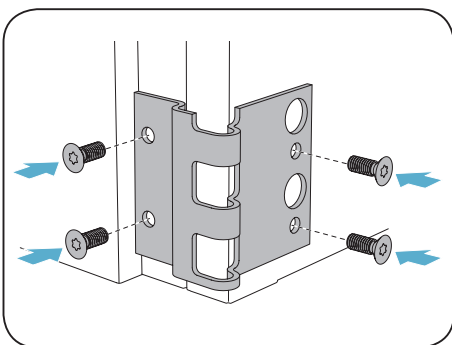
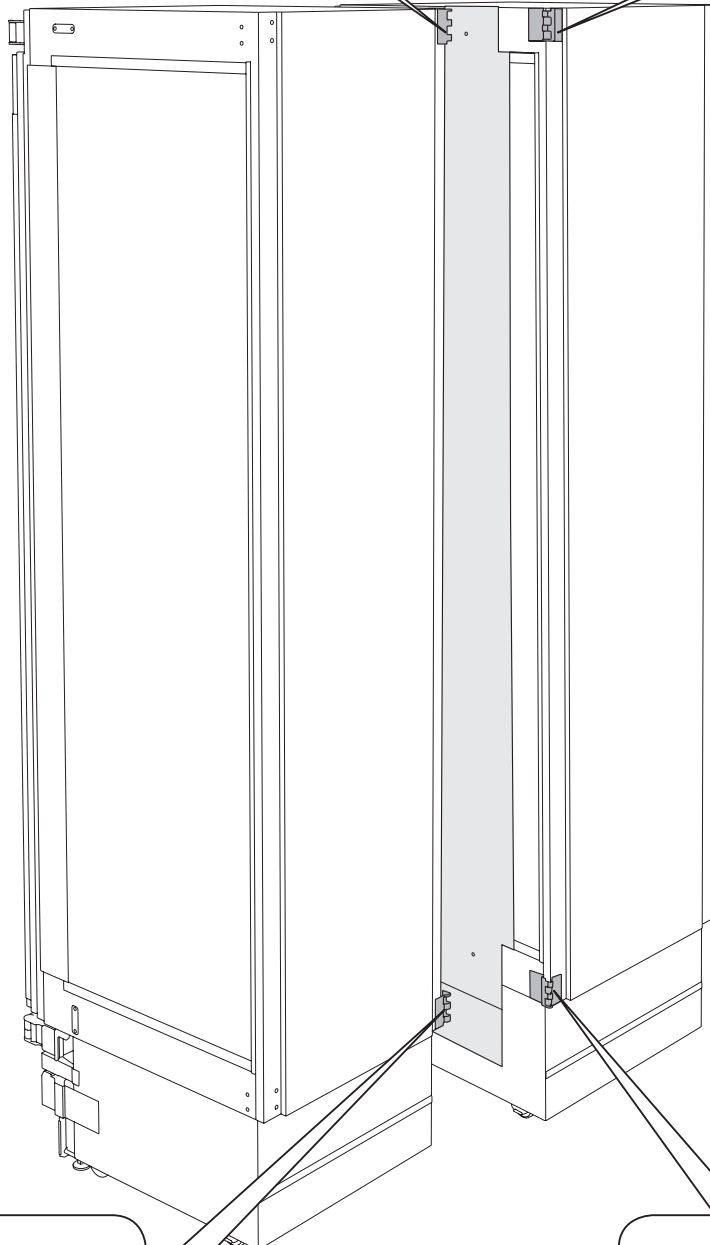
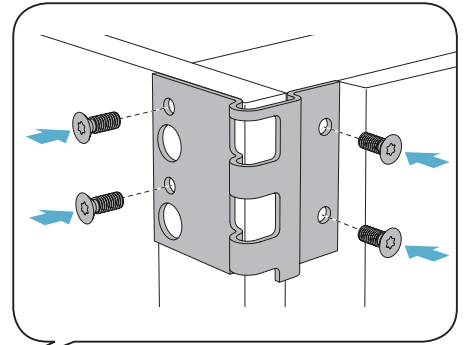
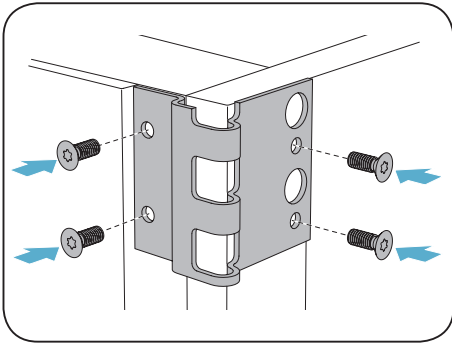
C

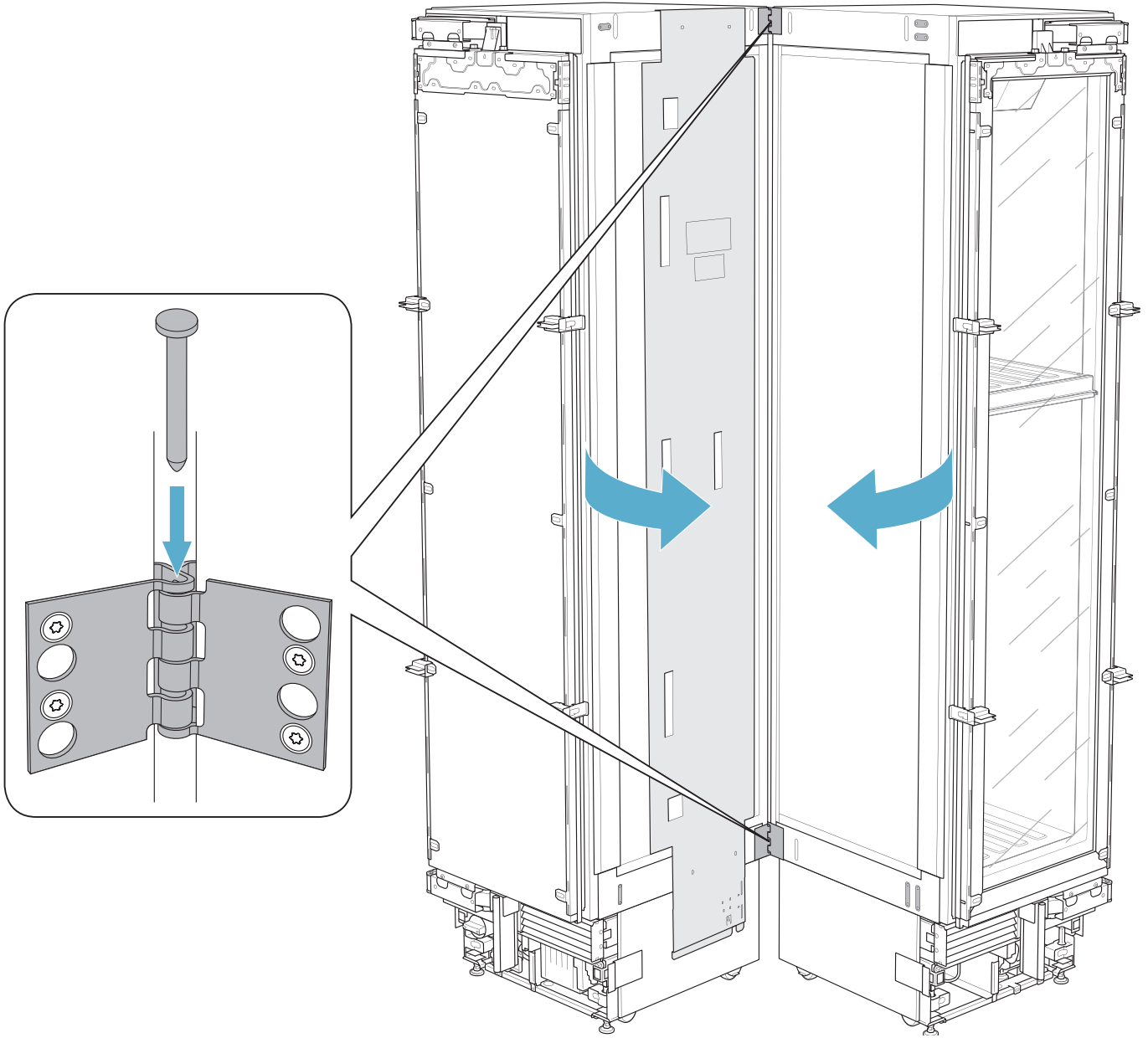
D

M5x16

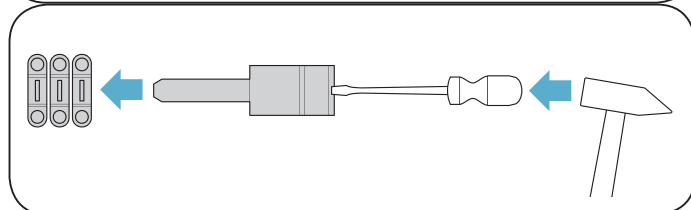
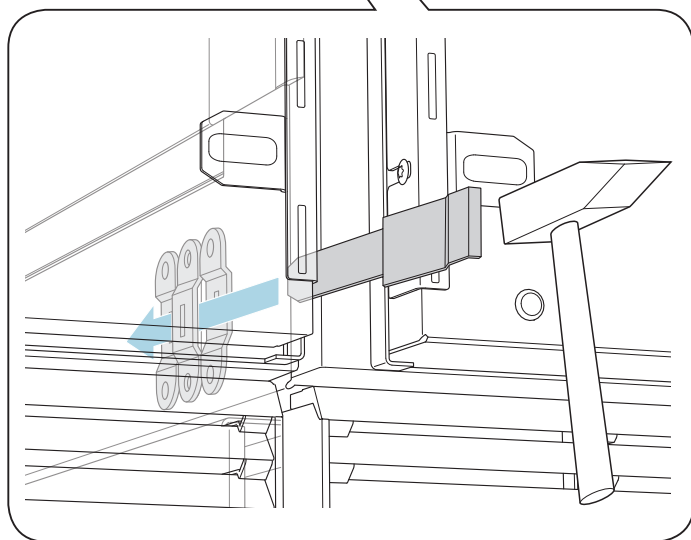
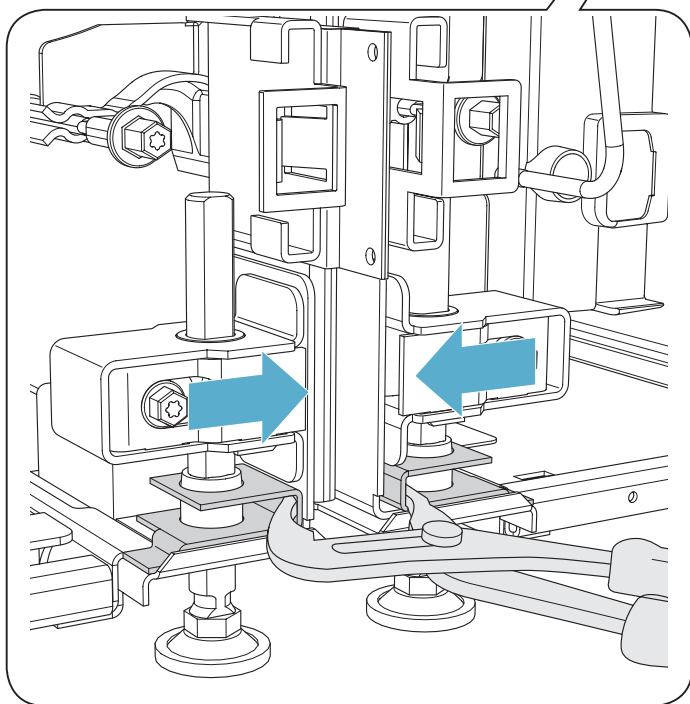
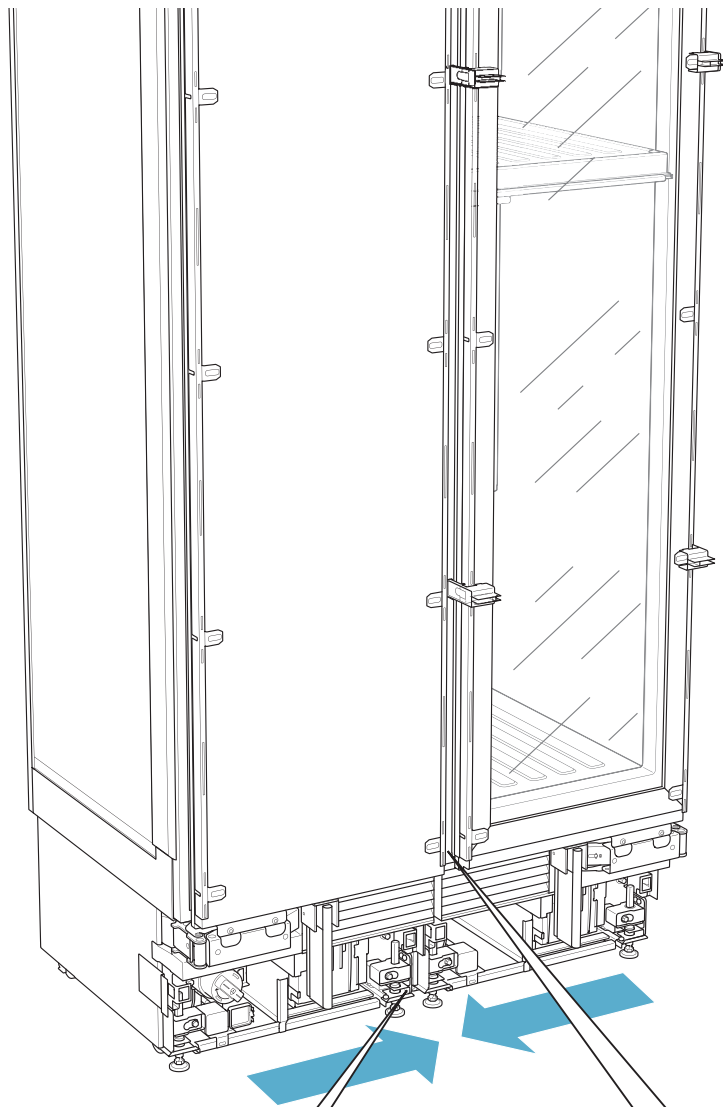
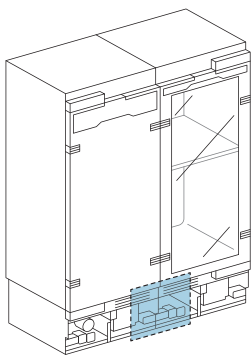


16x

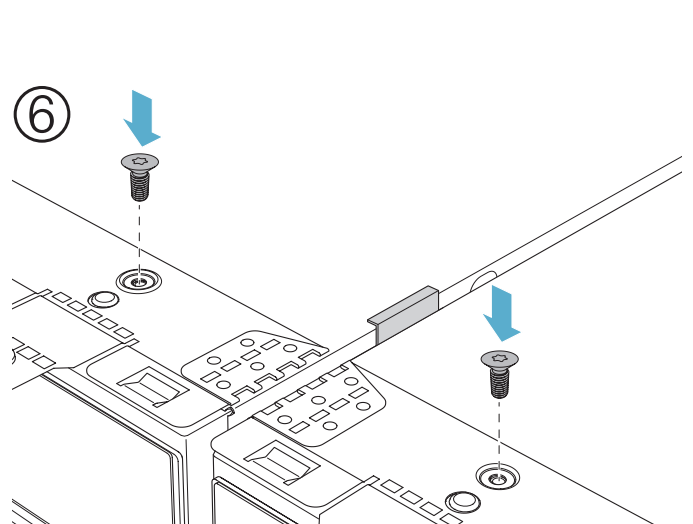
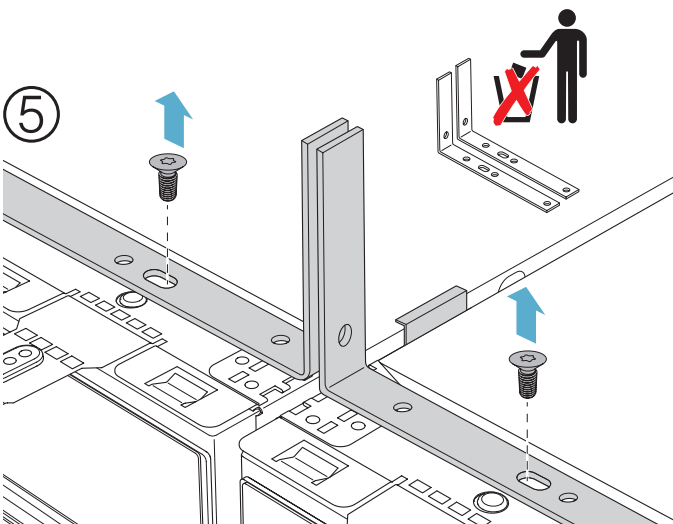
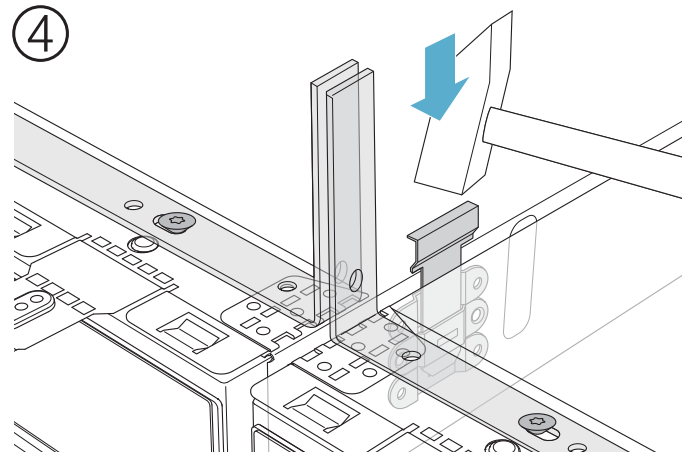
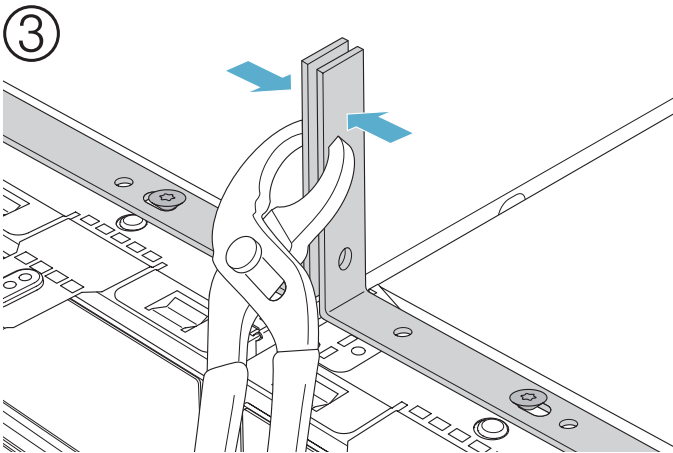
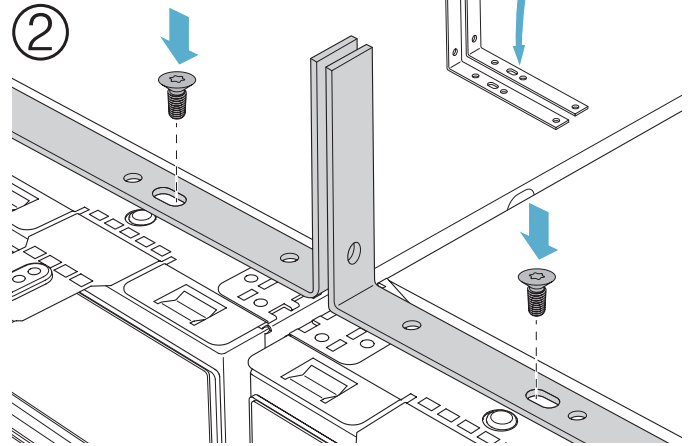
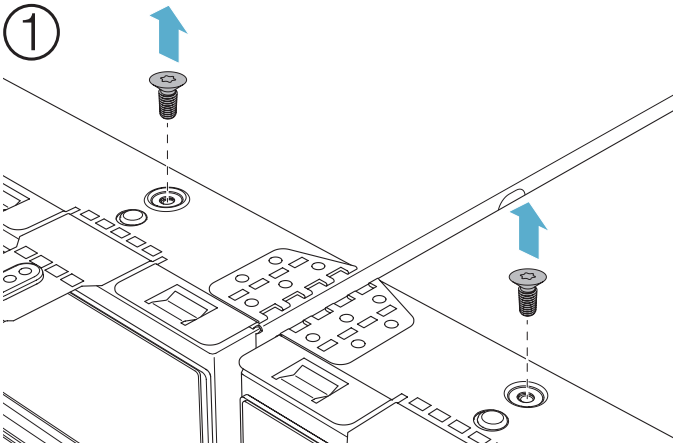
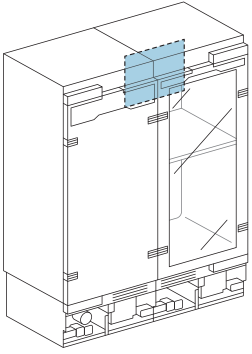


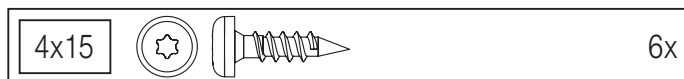
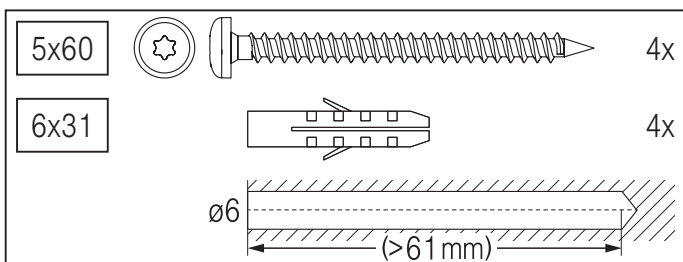
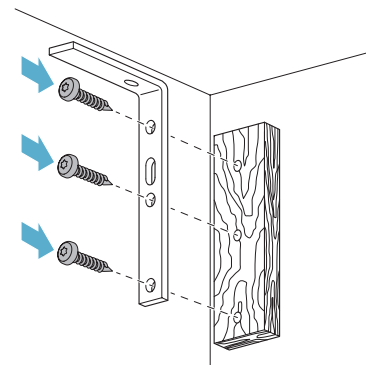
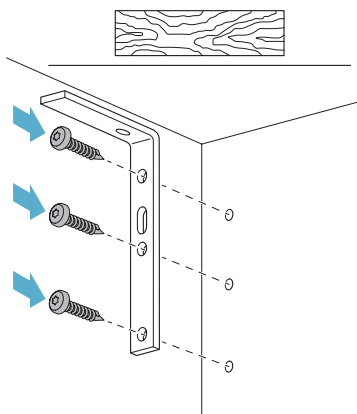
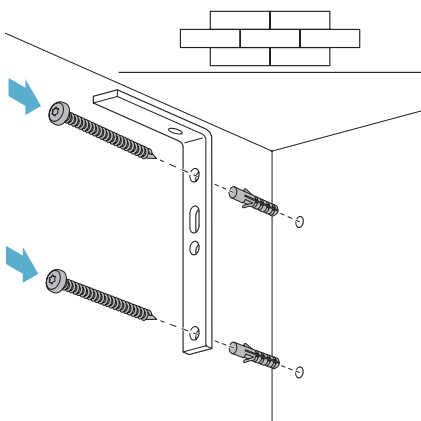
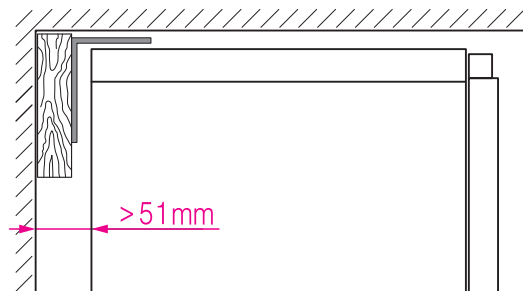
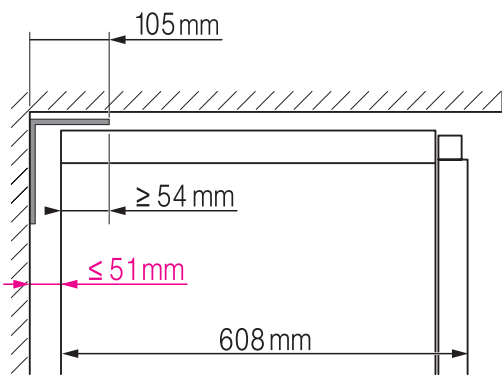
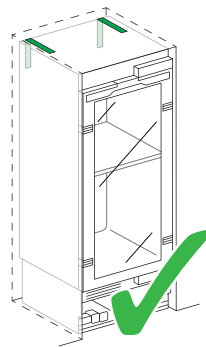
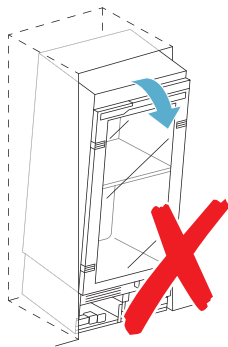
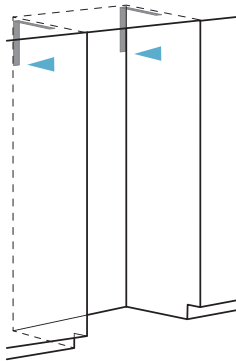


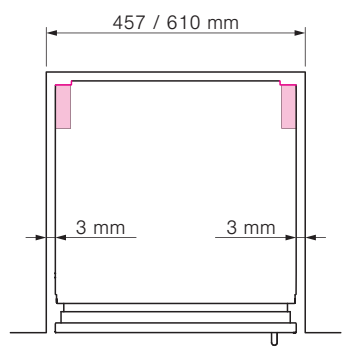
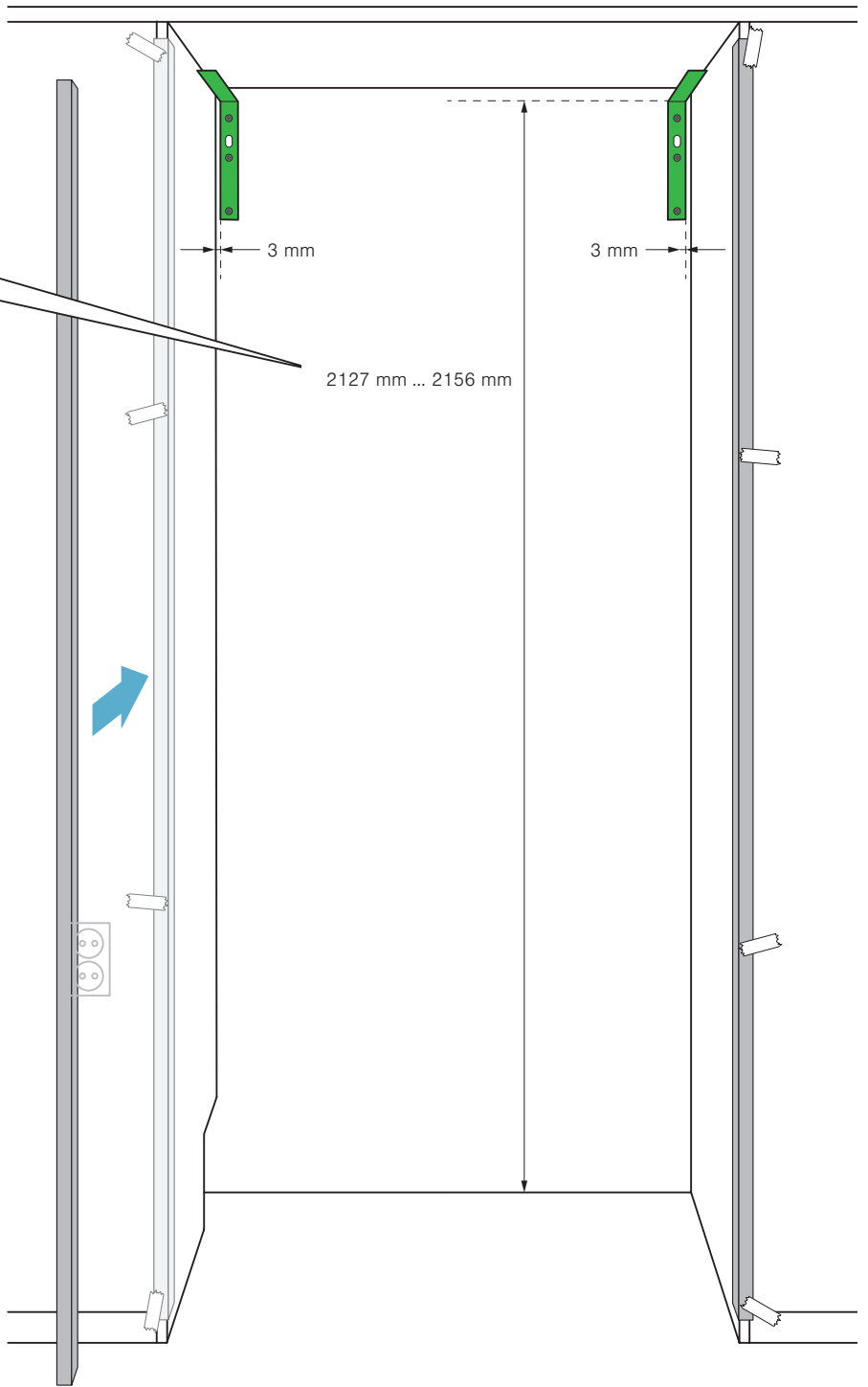
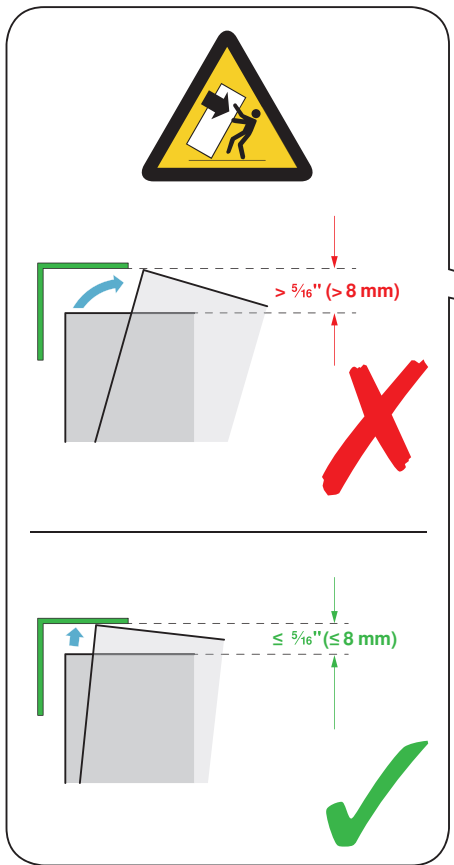
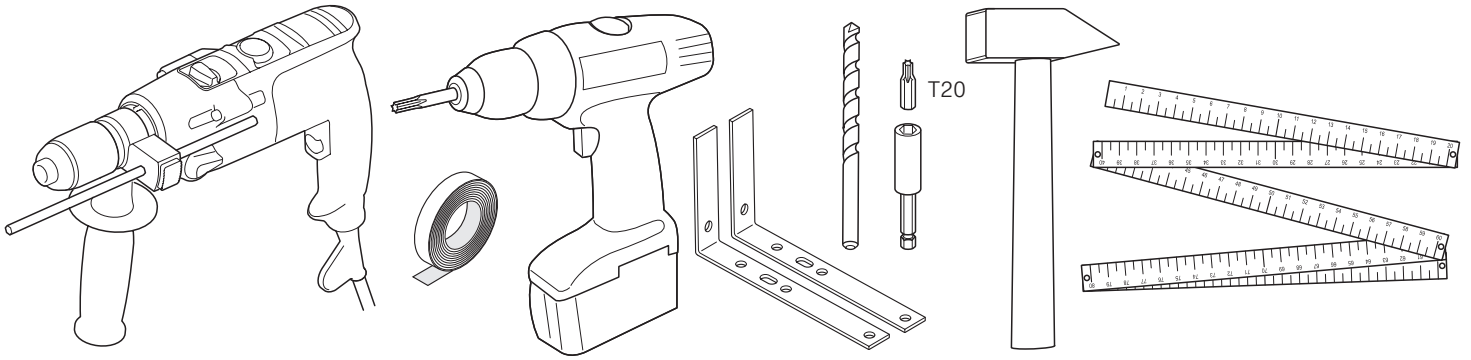
A  
B  
C  
D



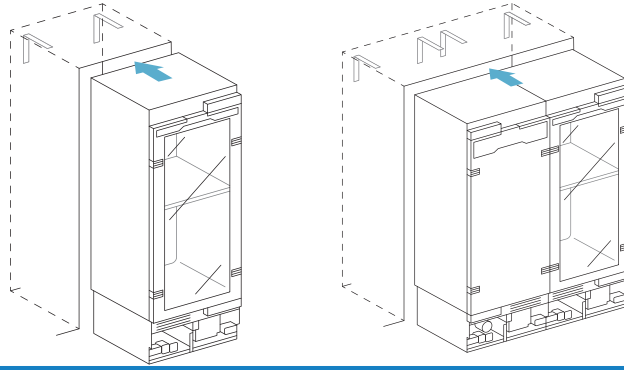




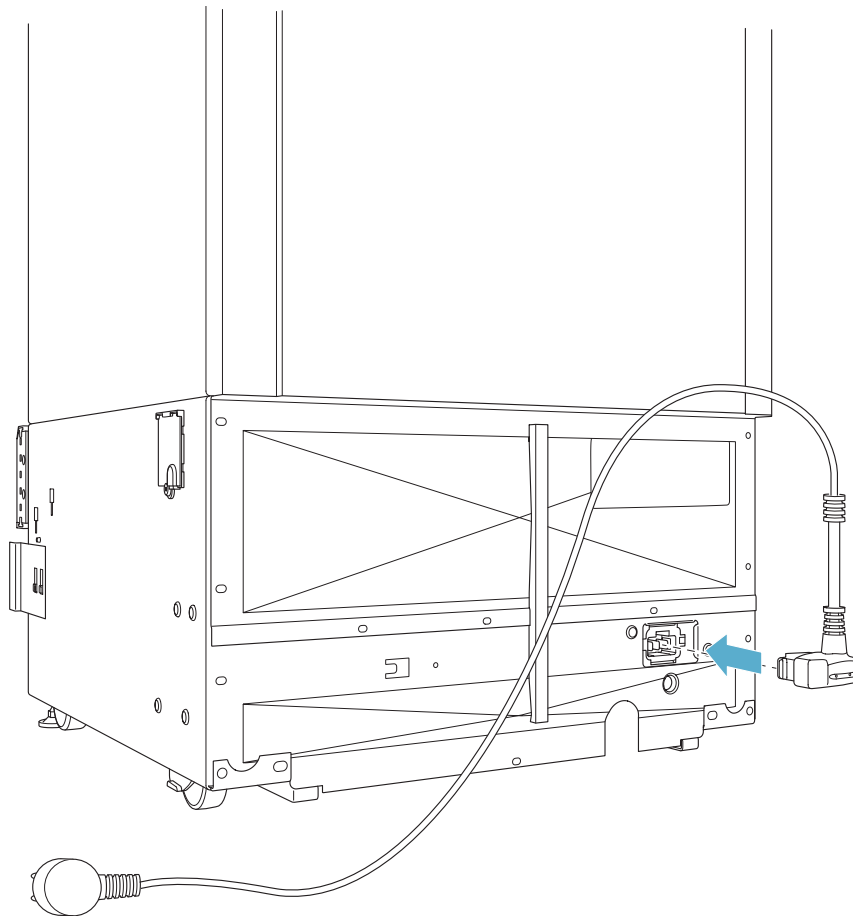
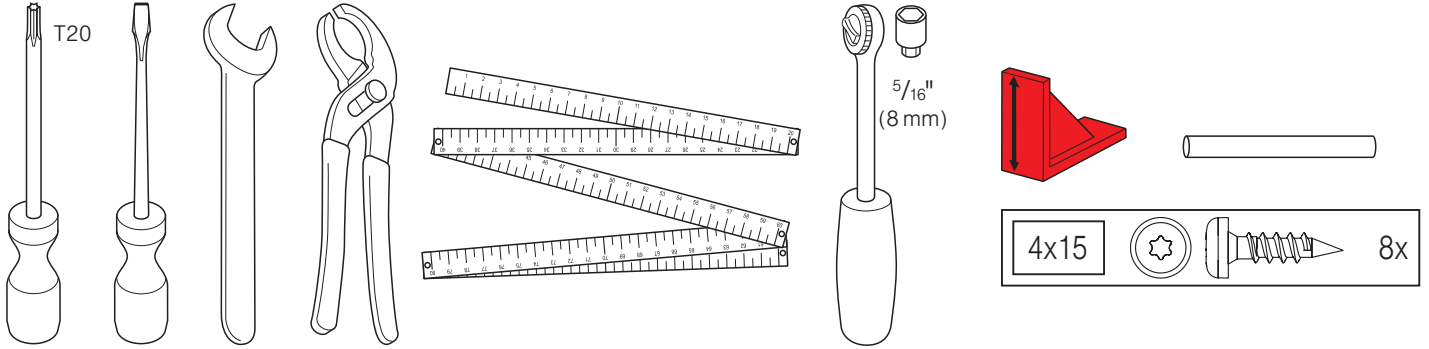




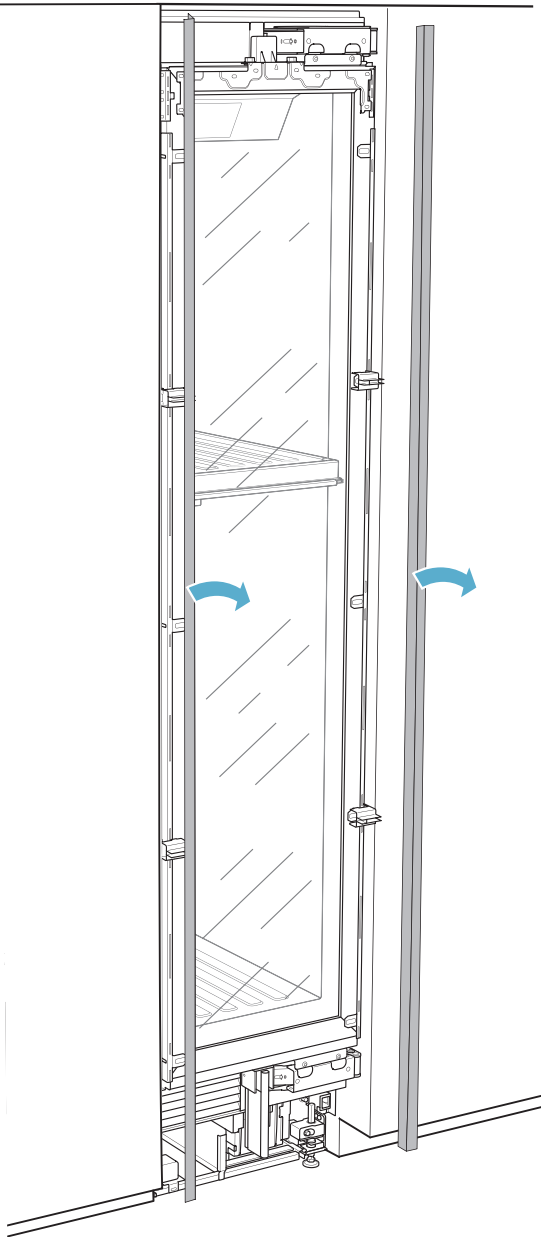
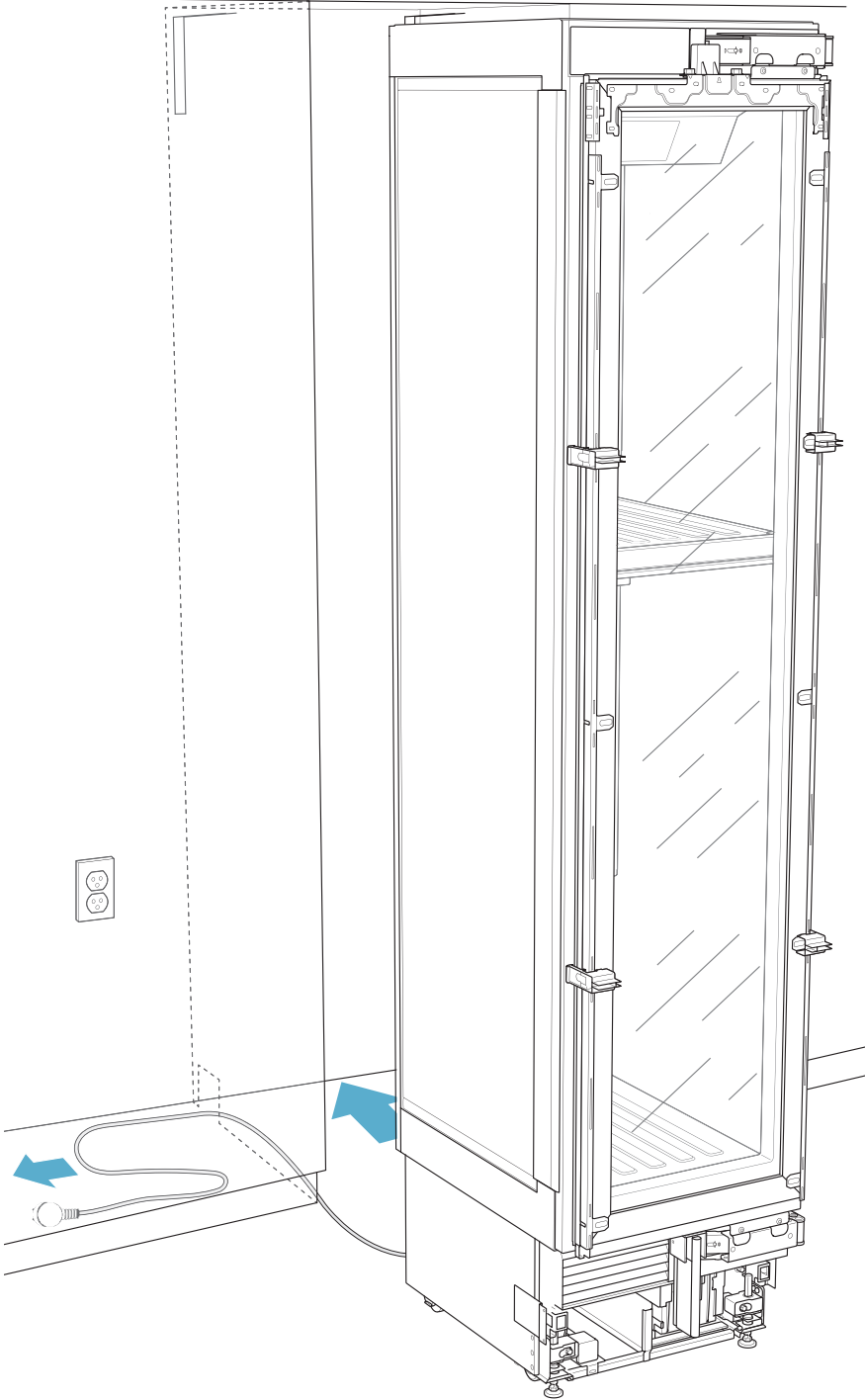
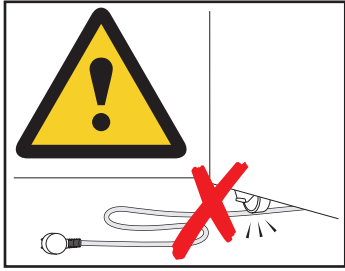


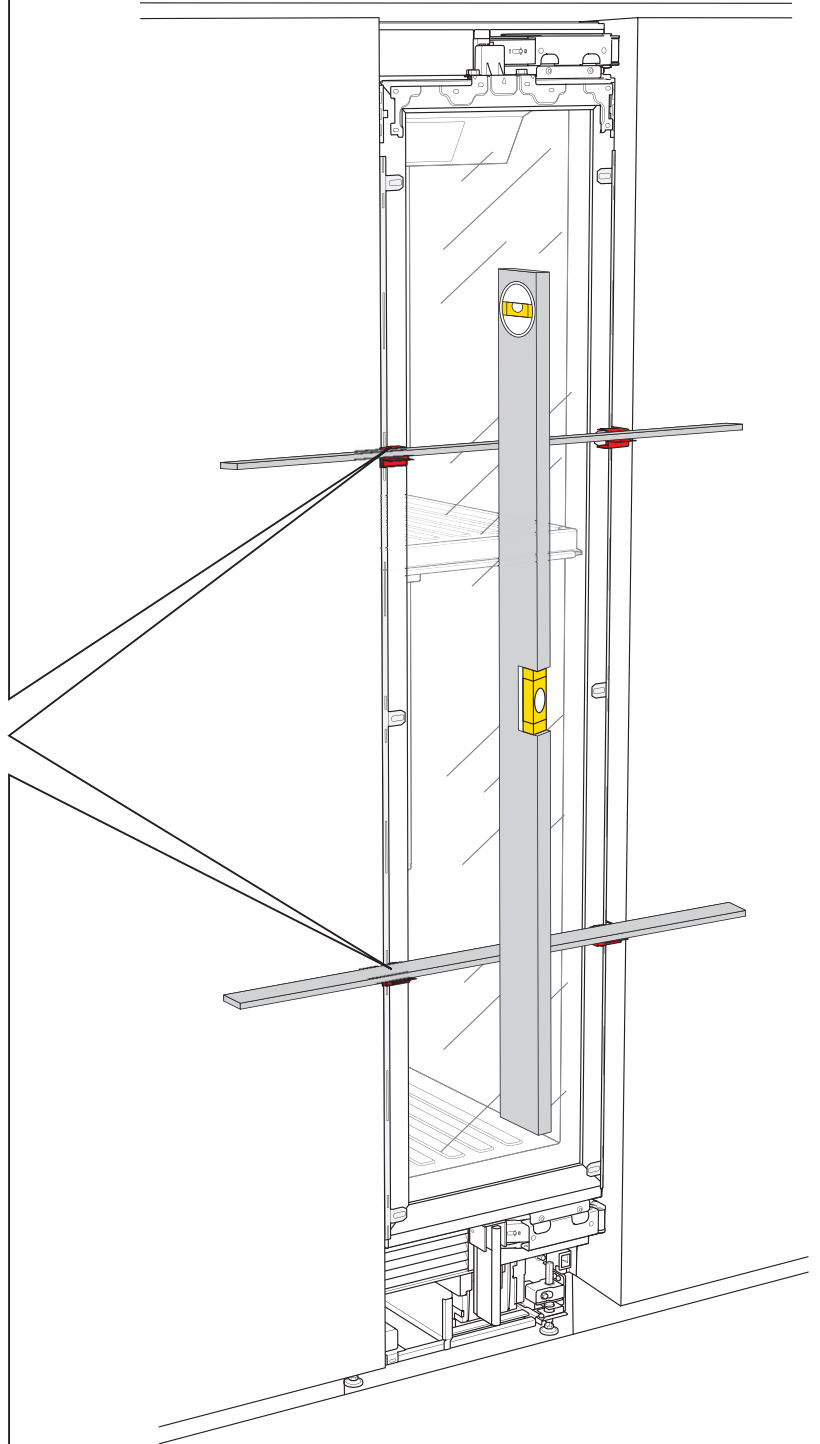
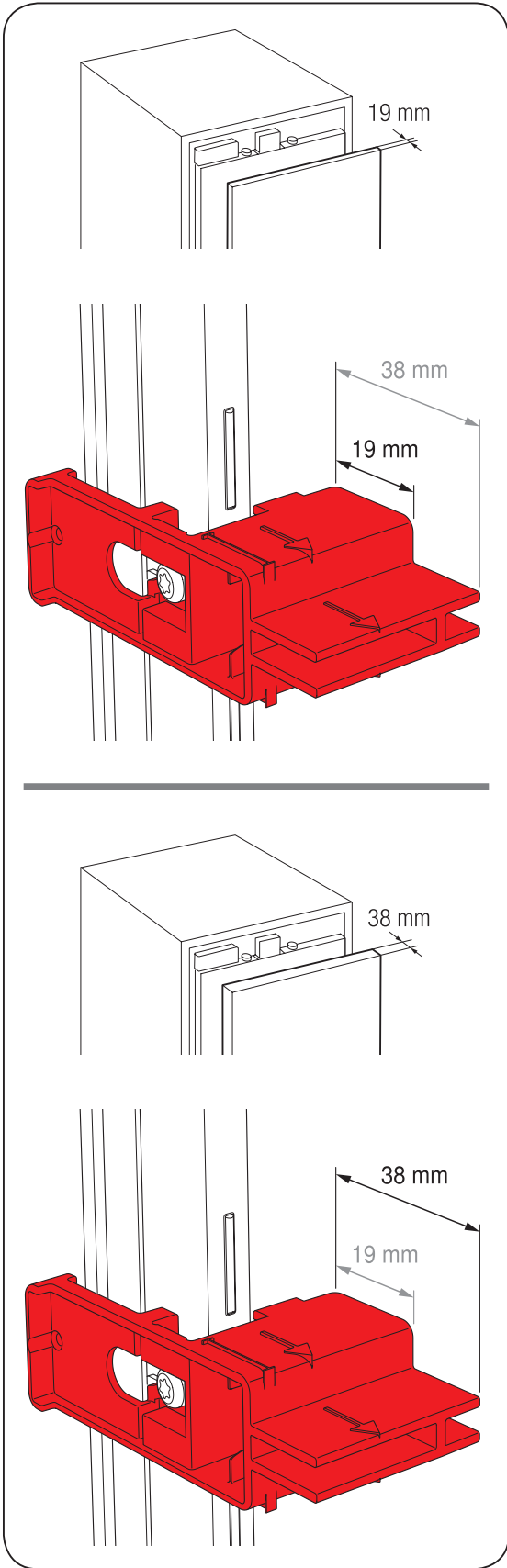


A  
B  
C  
D

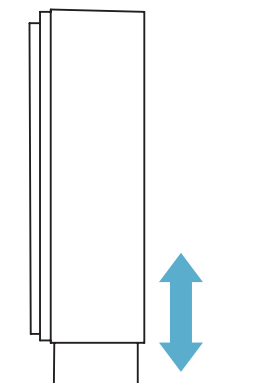
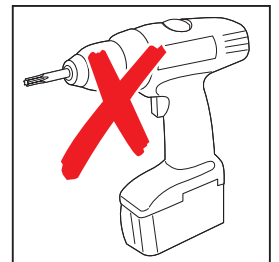
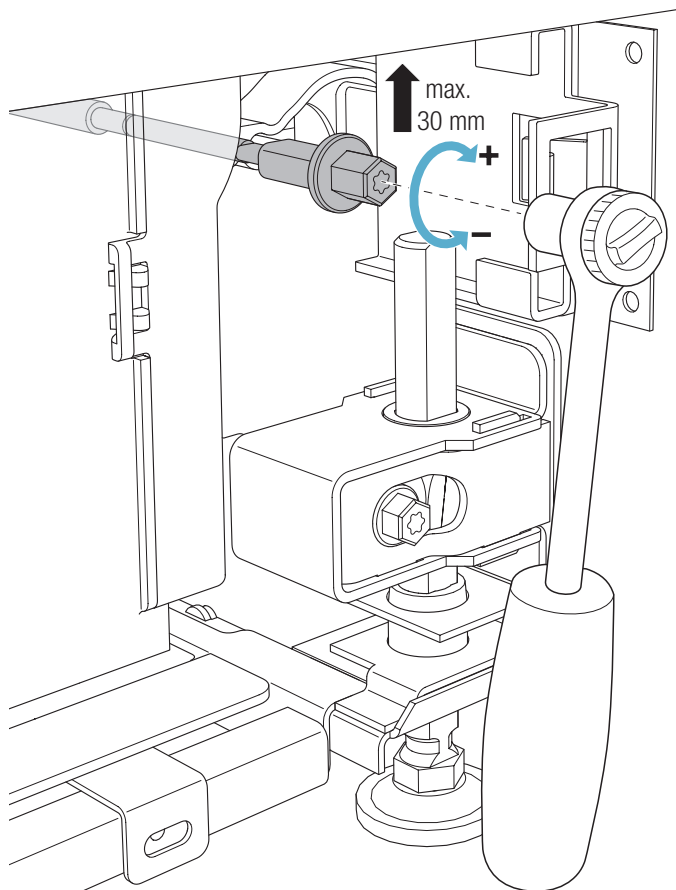
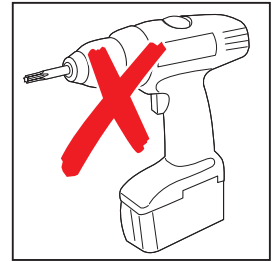
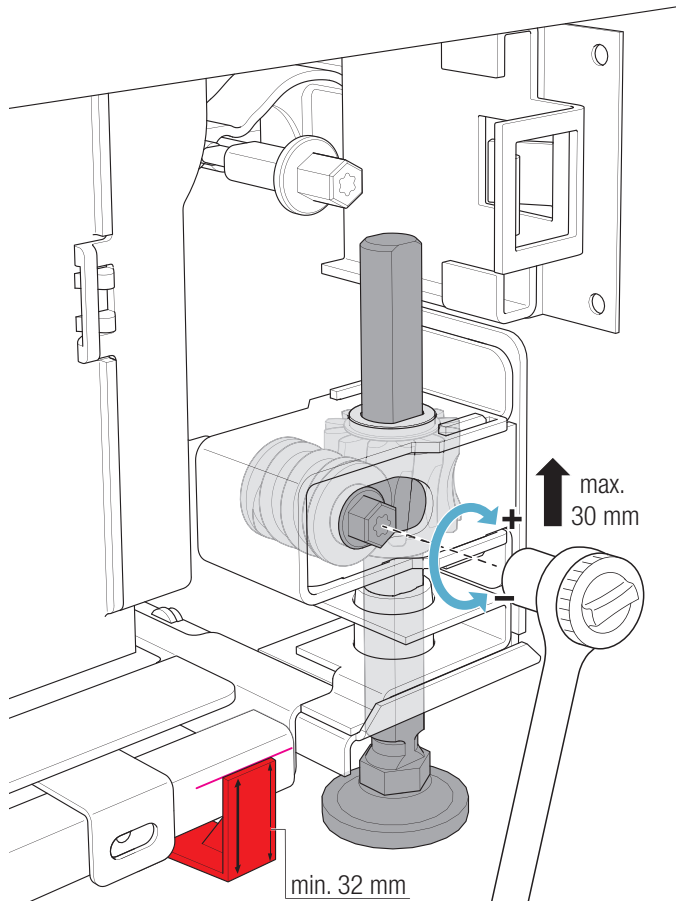
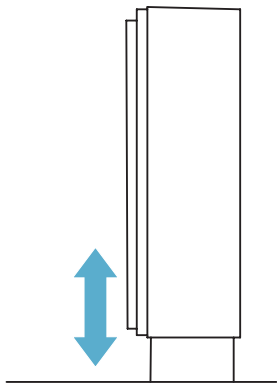
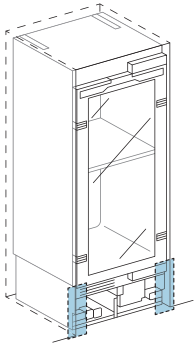


- A
- B
- C
- D







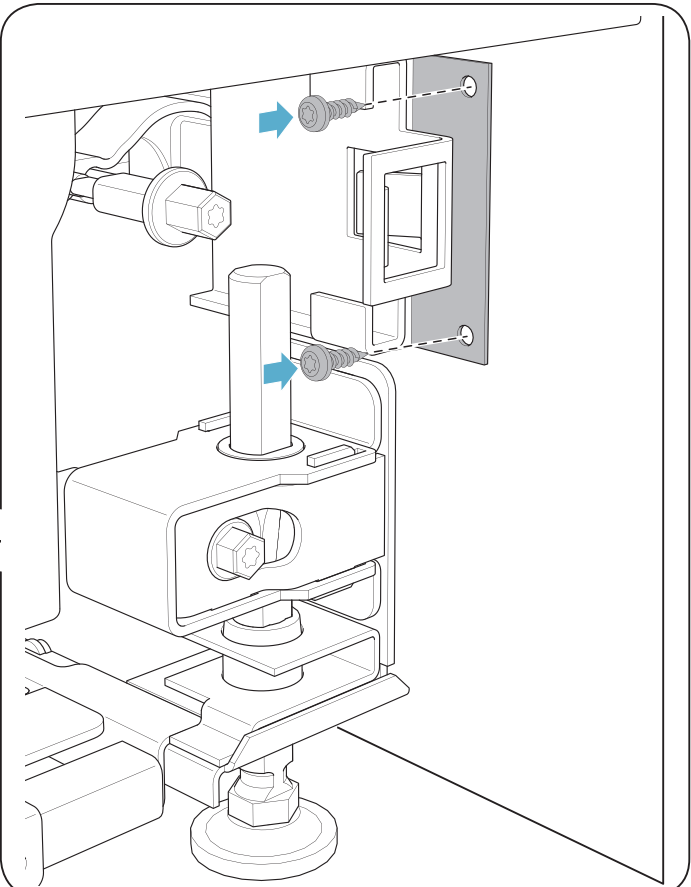
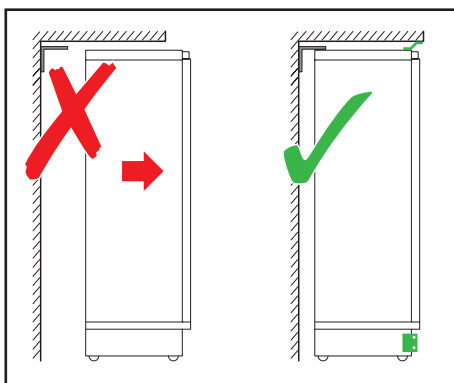
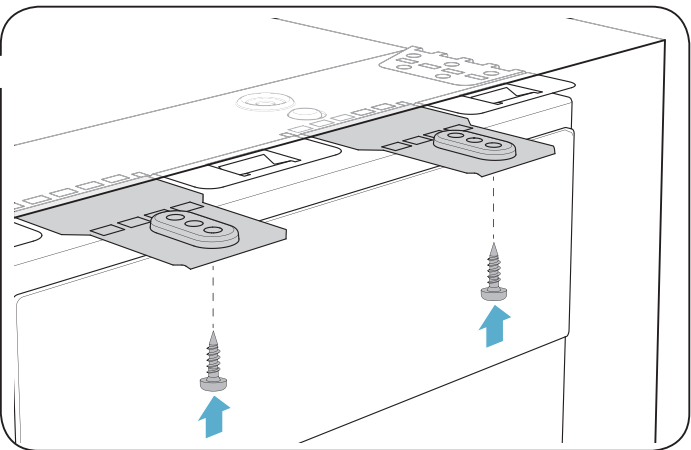
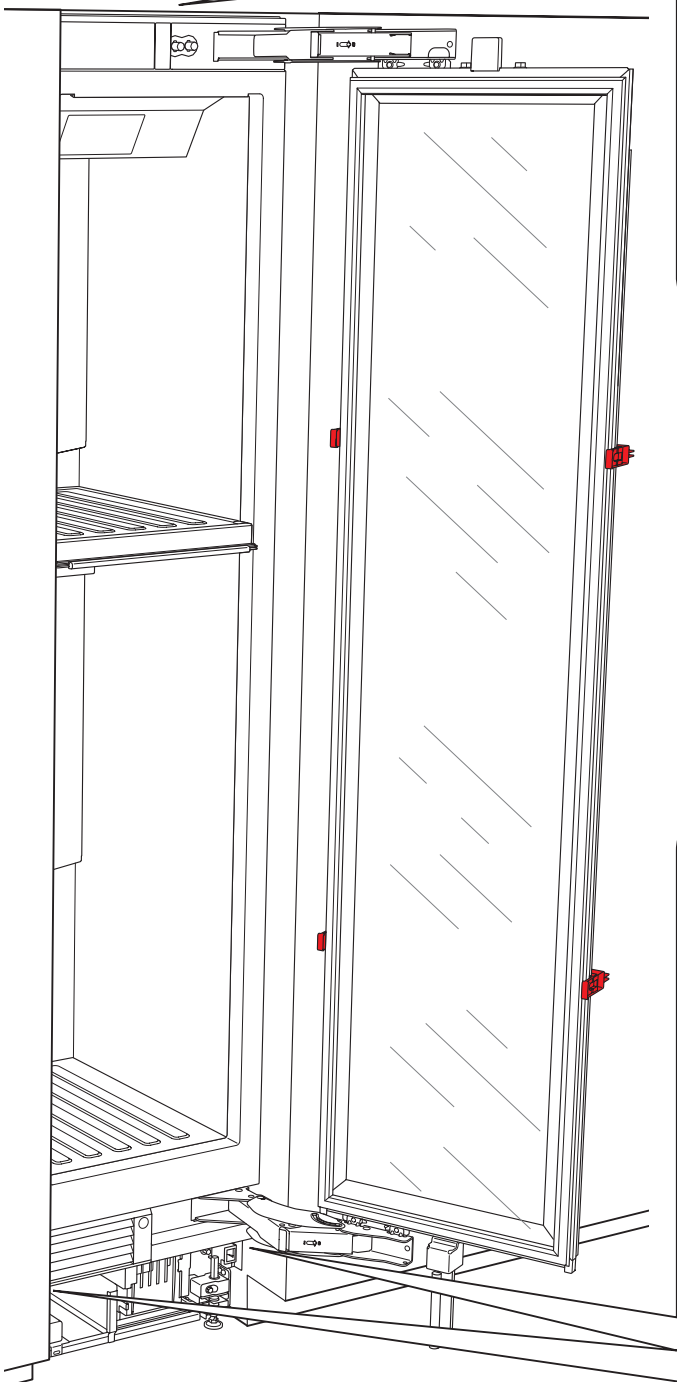
- A
- B
- C
- D



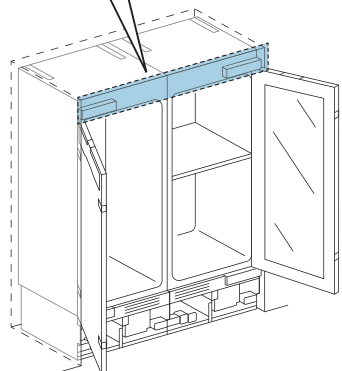
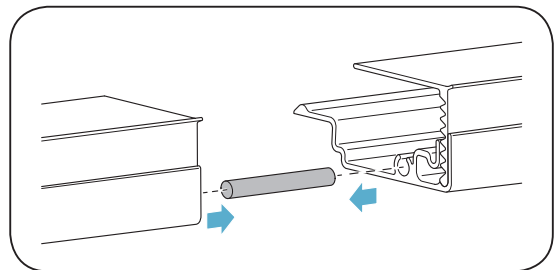
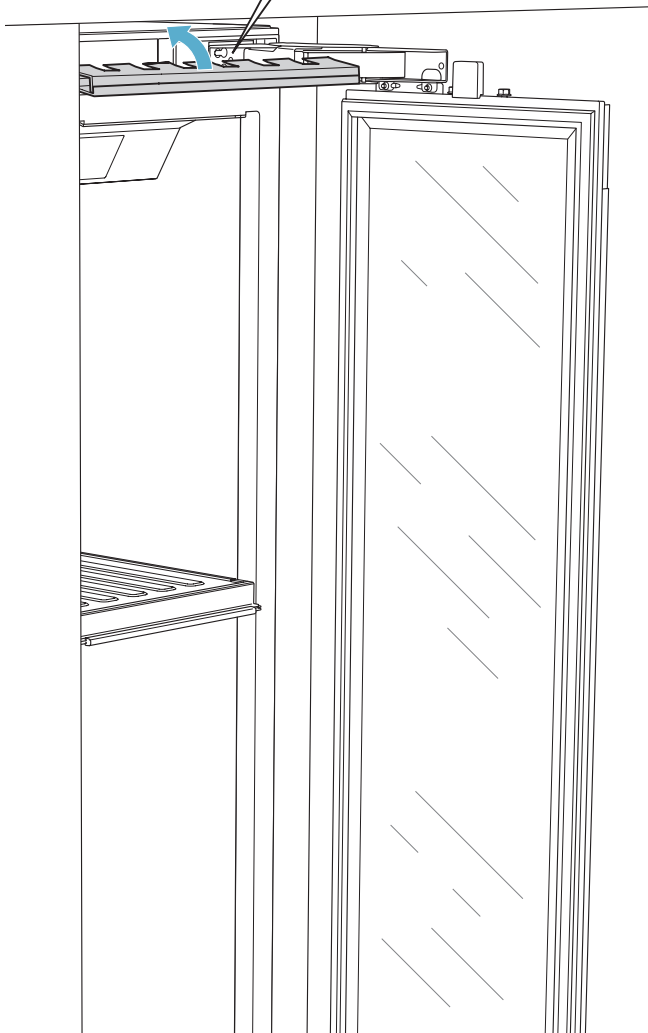
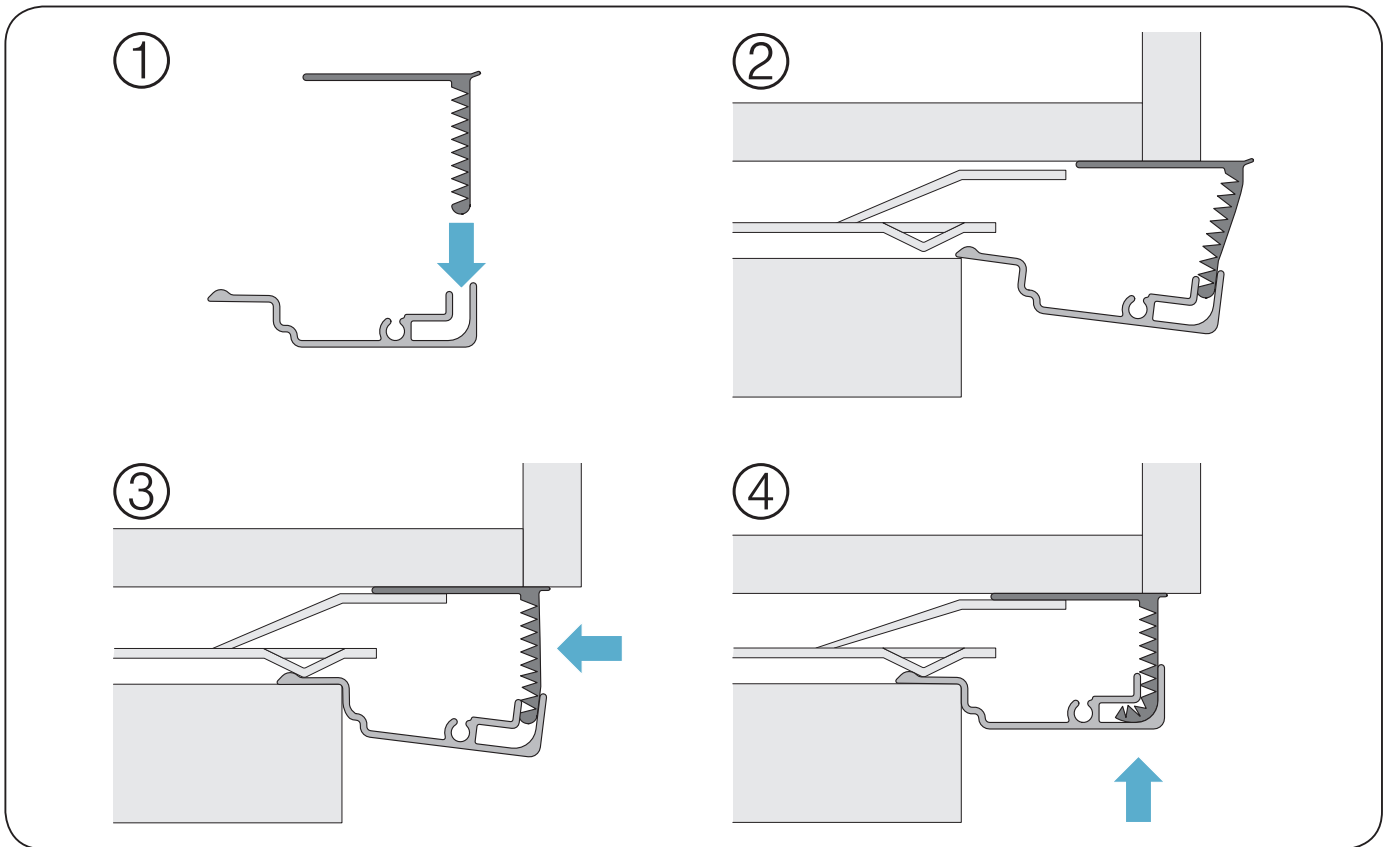


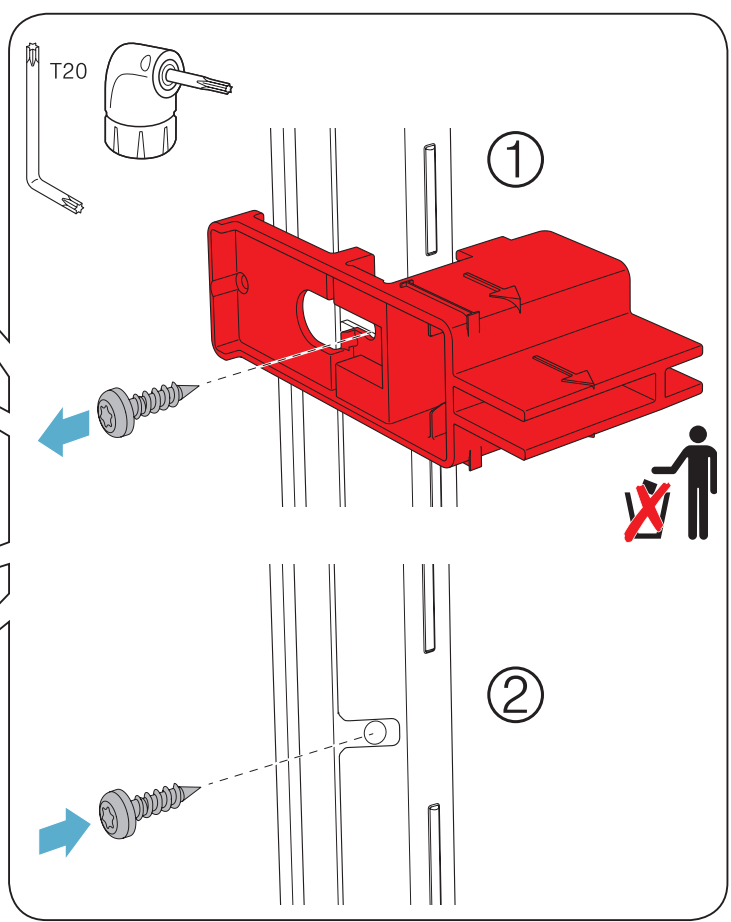
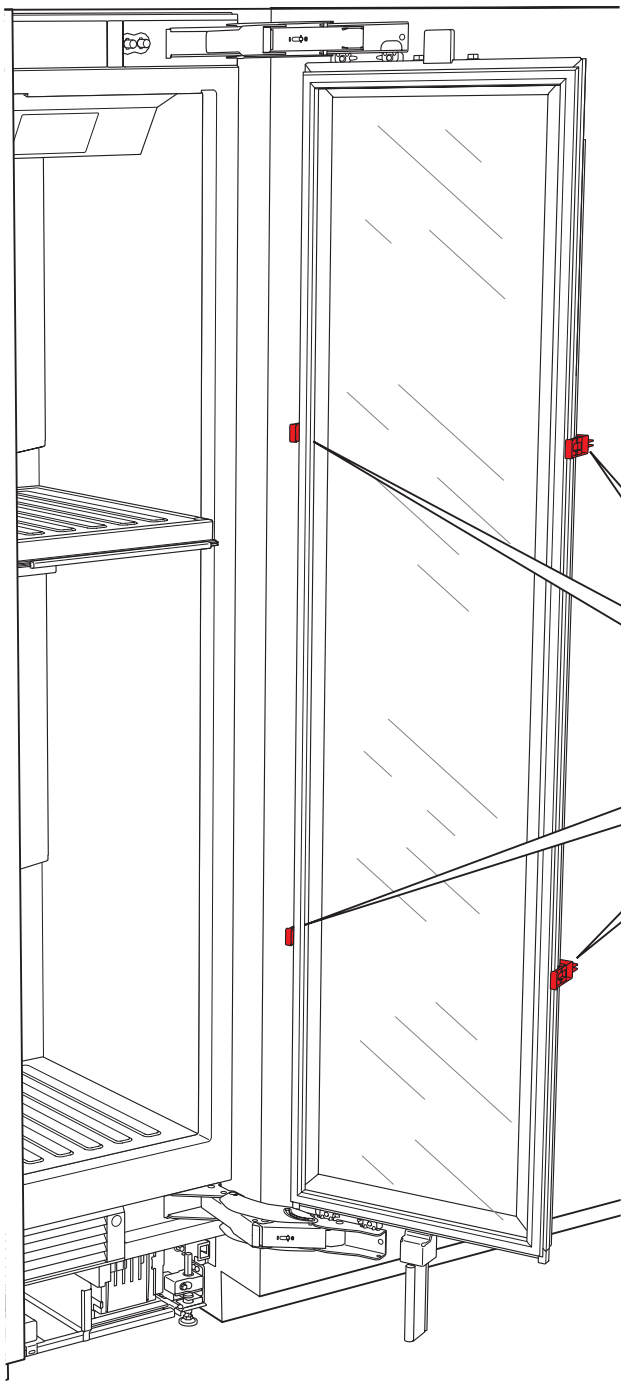
4x15   8x

A  
B  
C  
D

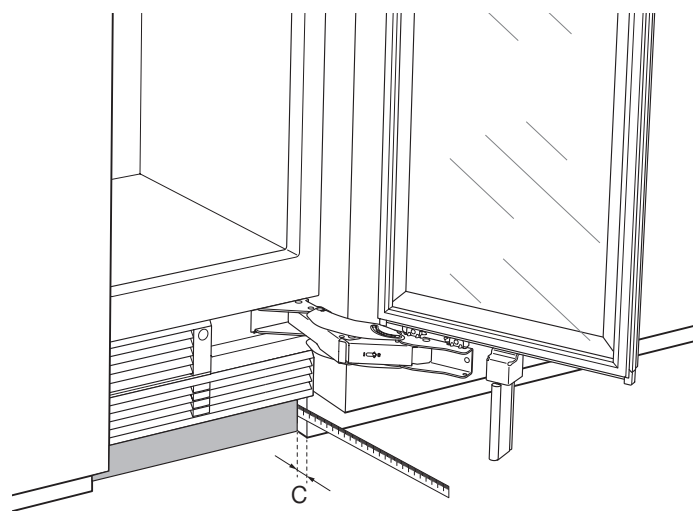
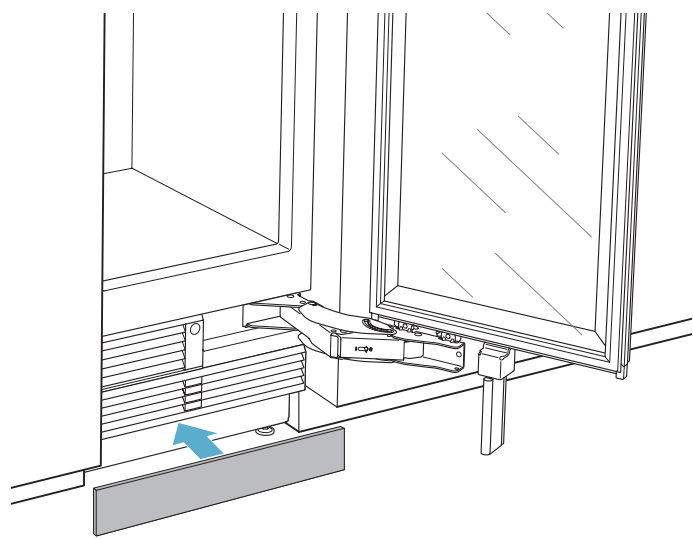
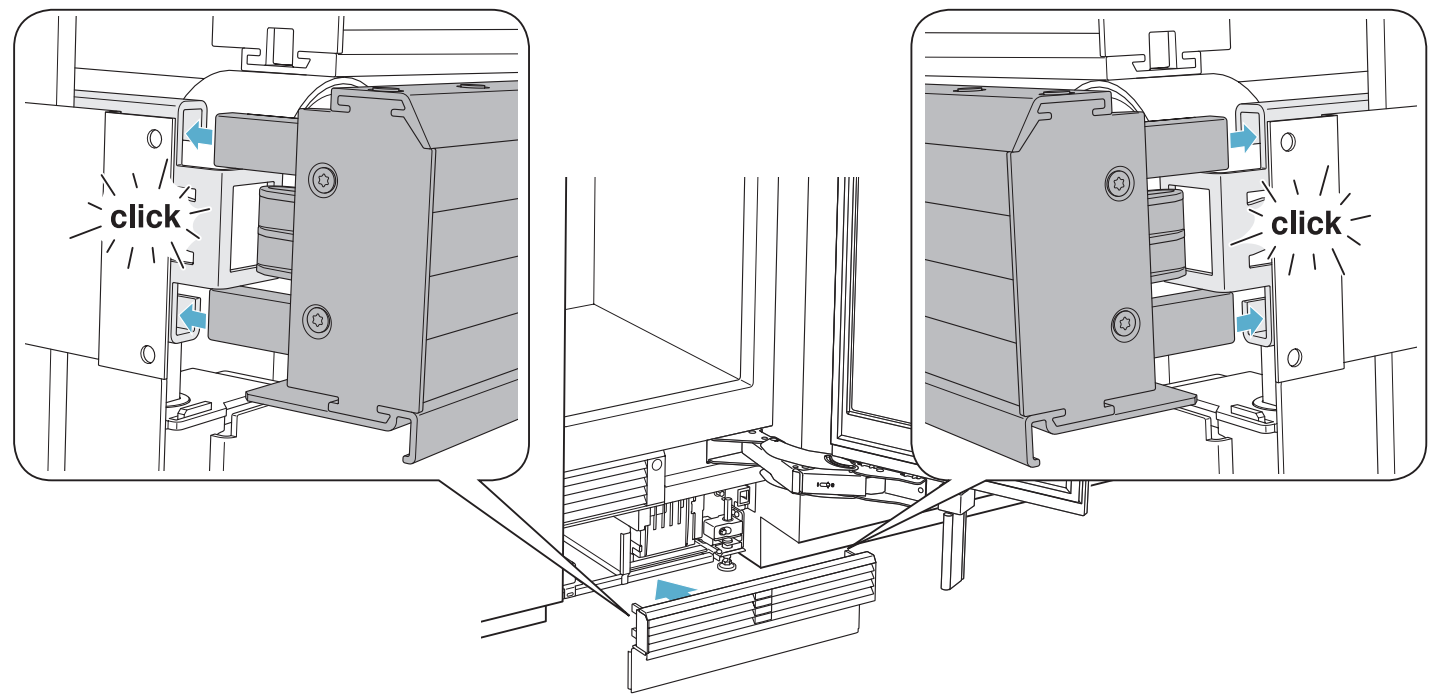
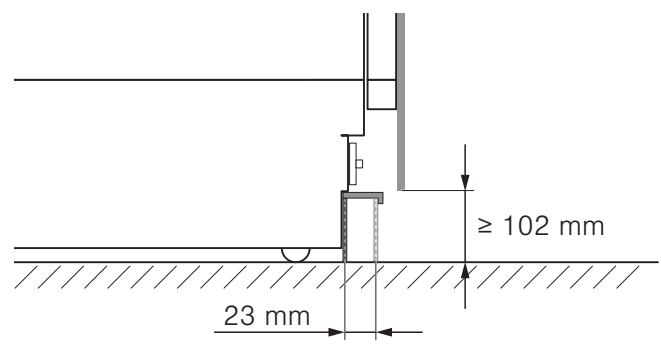
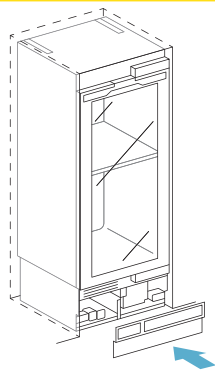


- A
- B
- C
- D

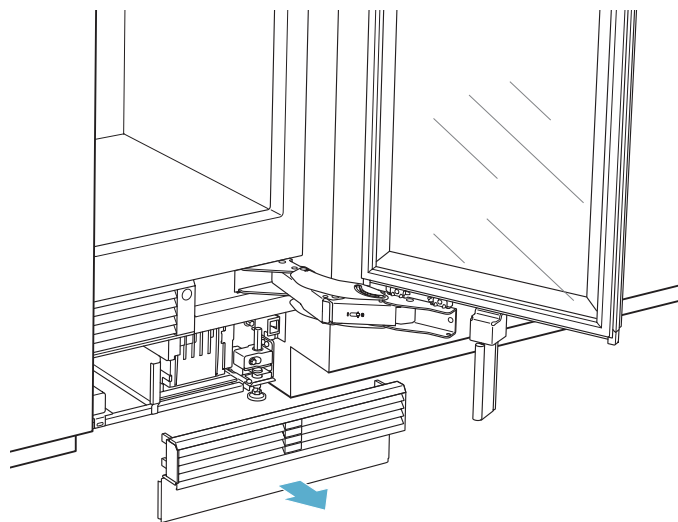
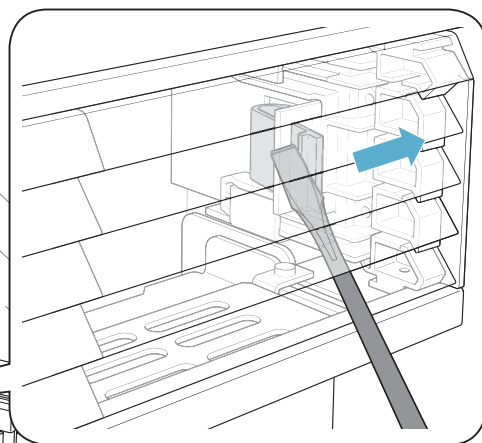
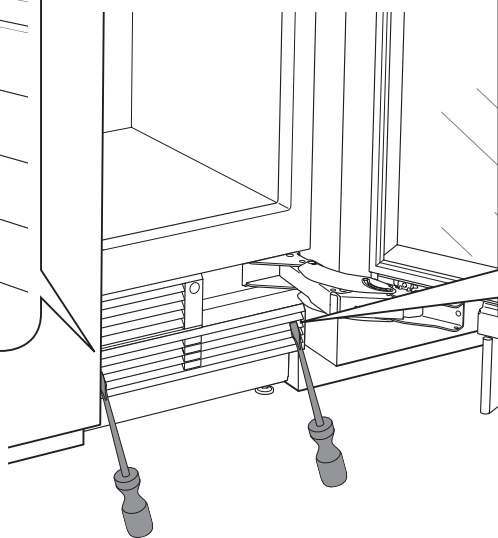
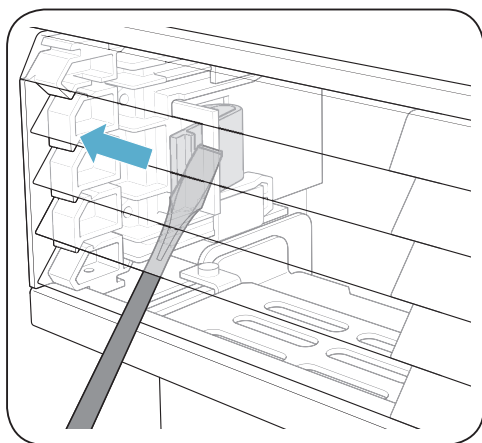
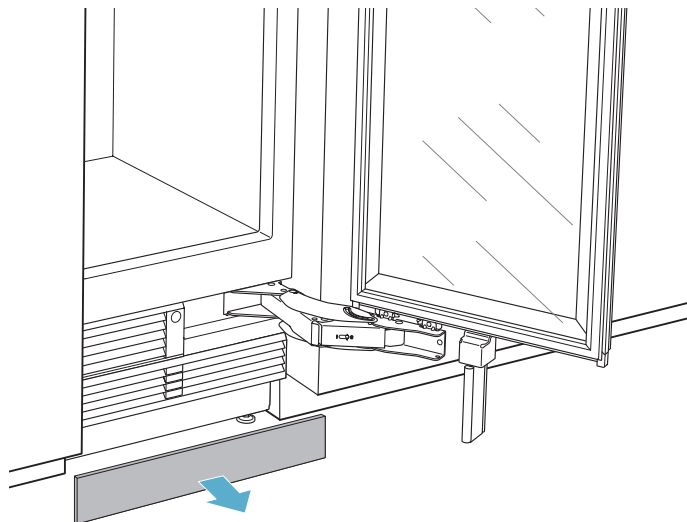


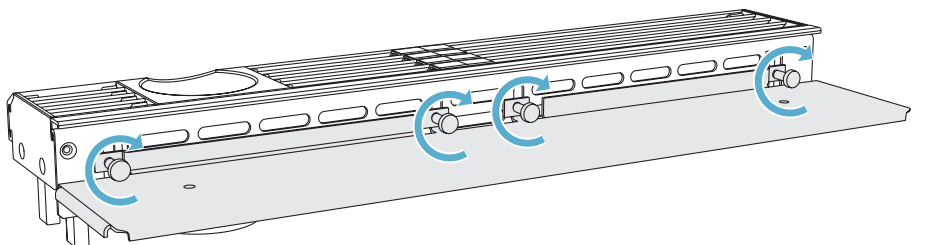
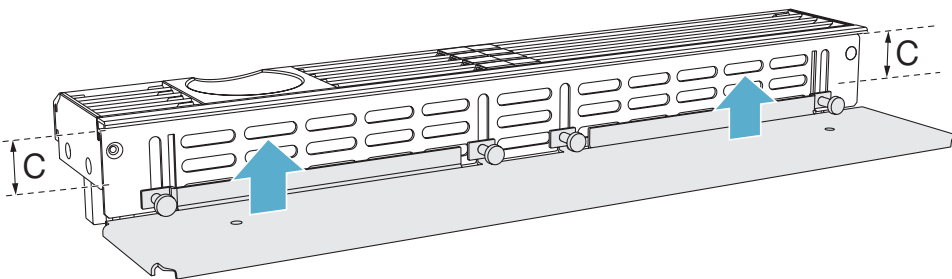
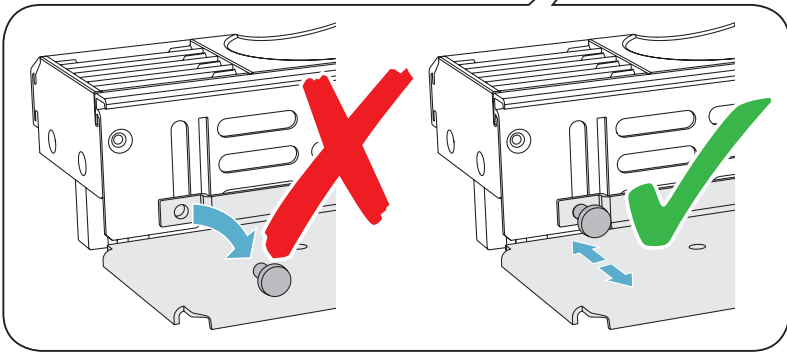
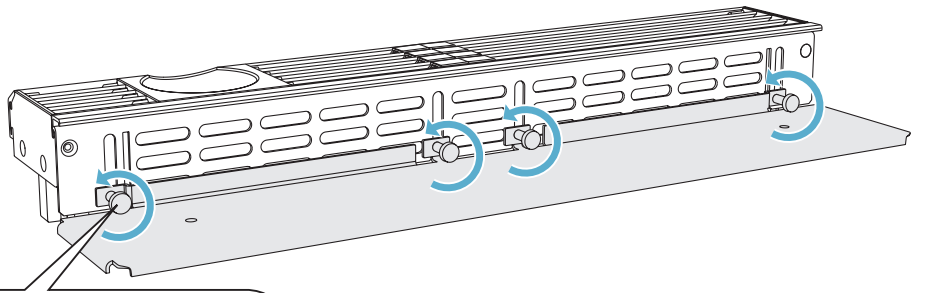
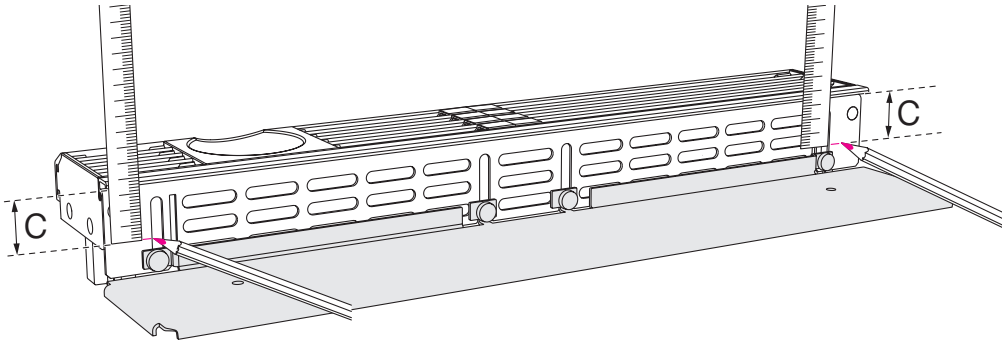




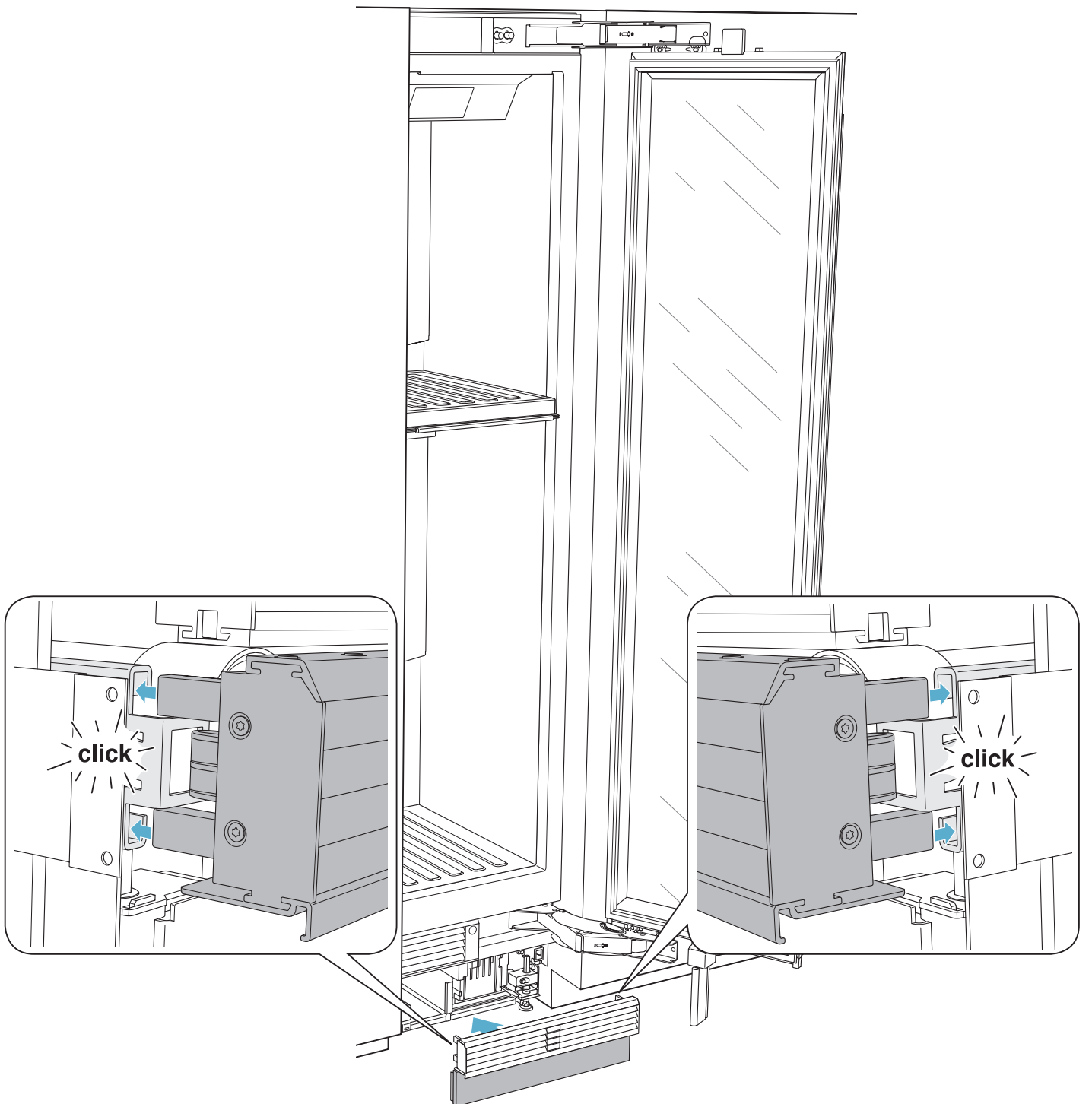
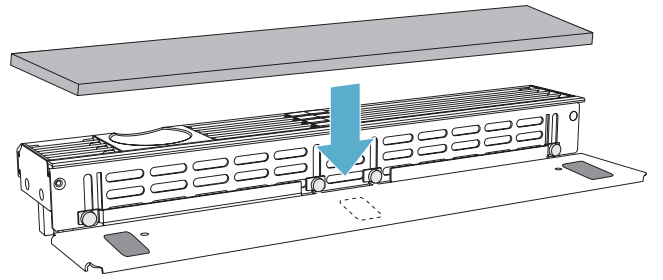
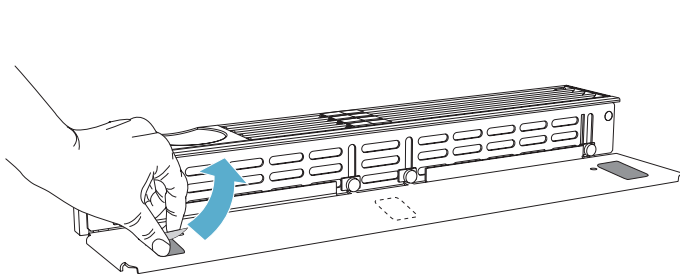


- A
- B
- C
- D

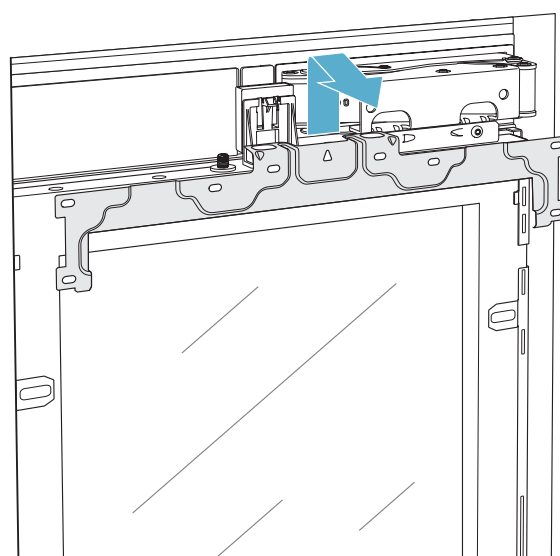
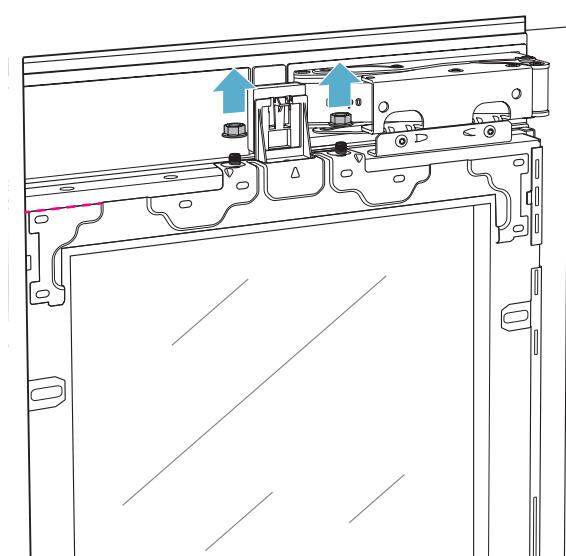
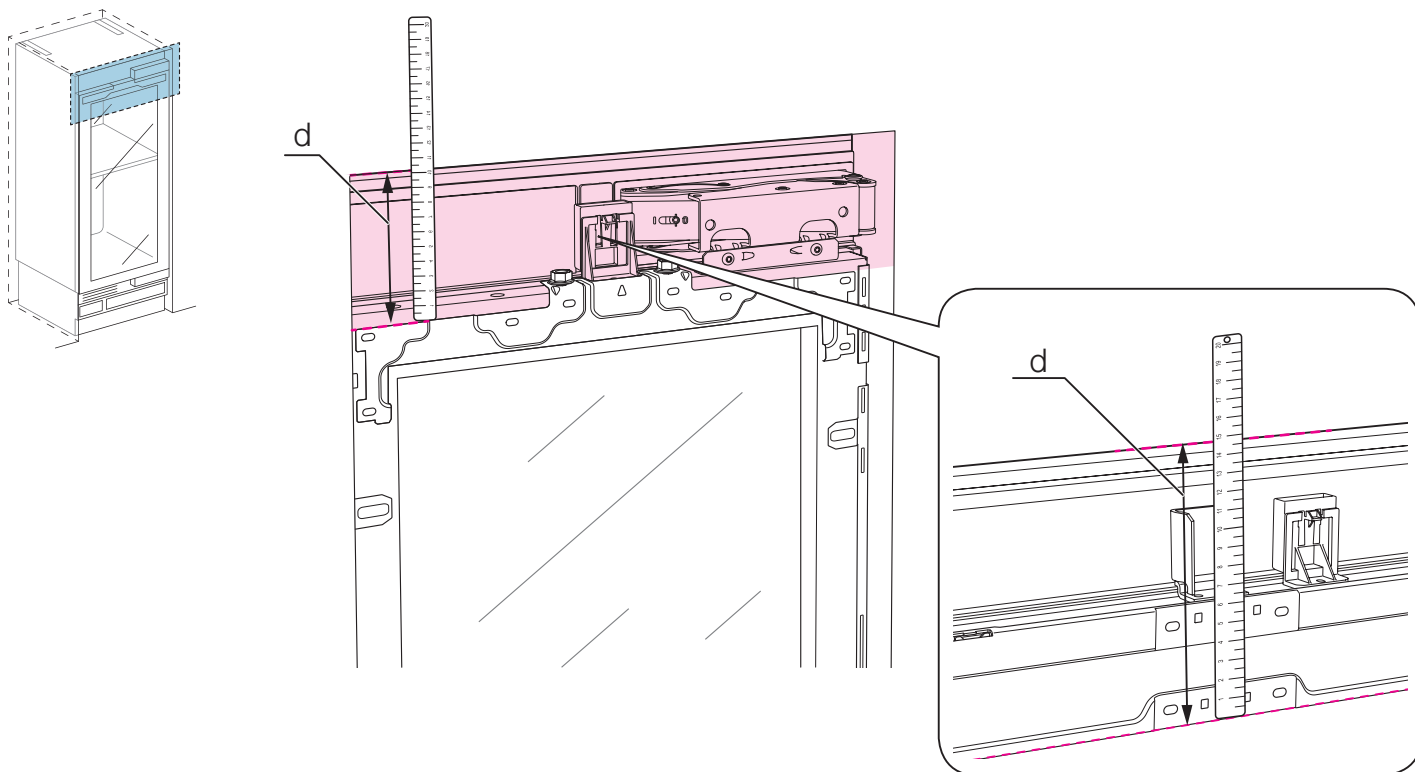
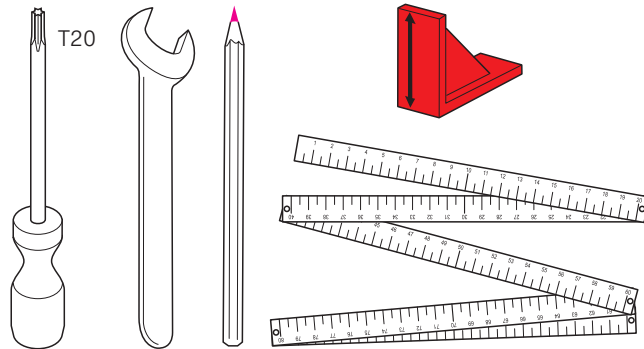
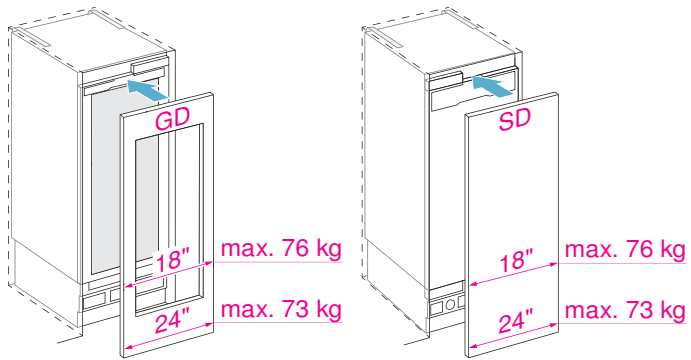




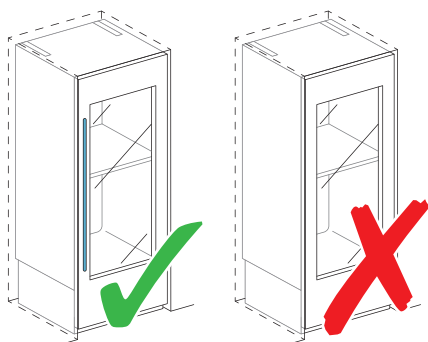
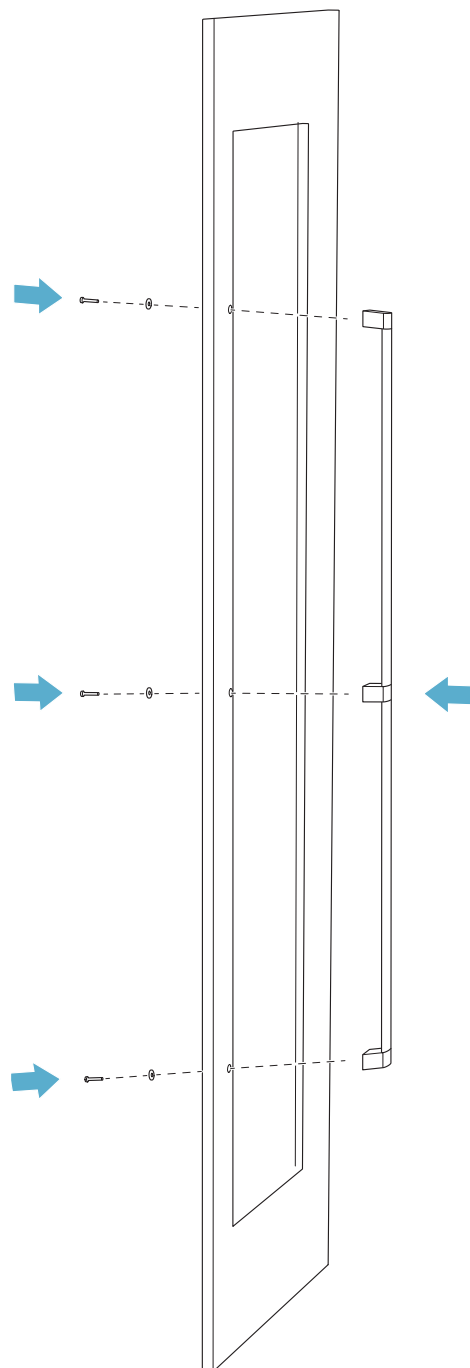
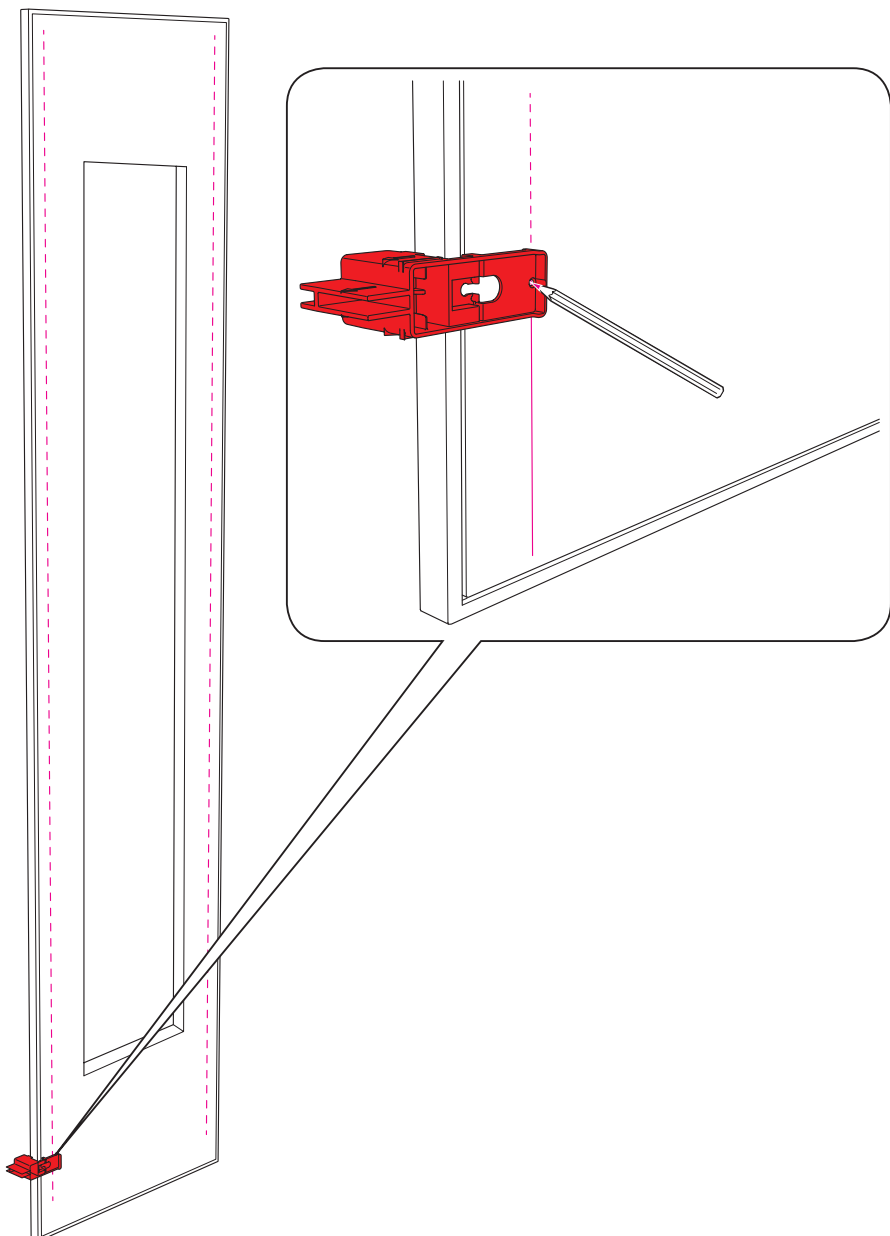
- A
- B
- C
- D

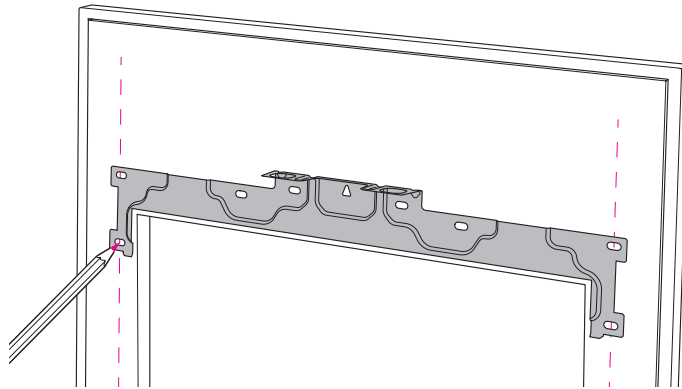
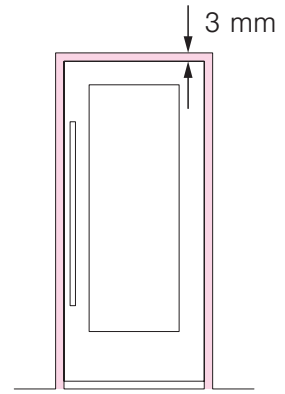
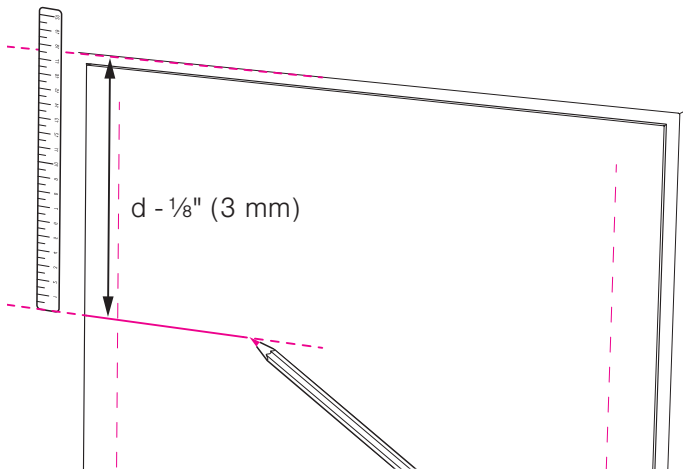



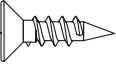


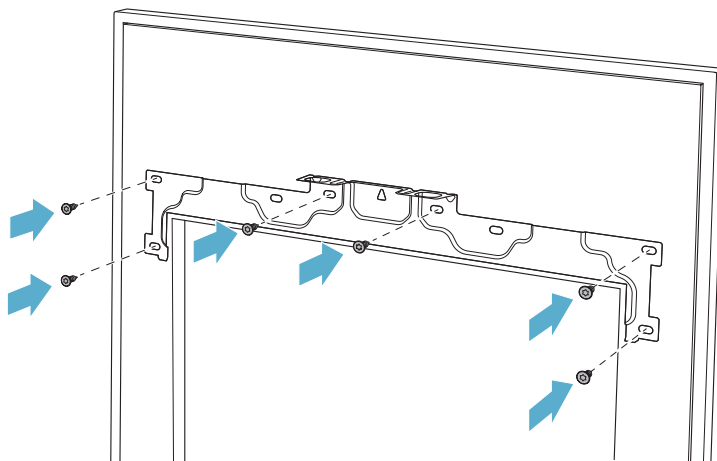


- A
- B
- C
- D





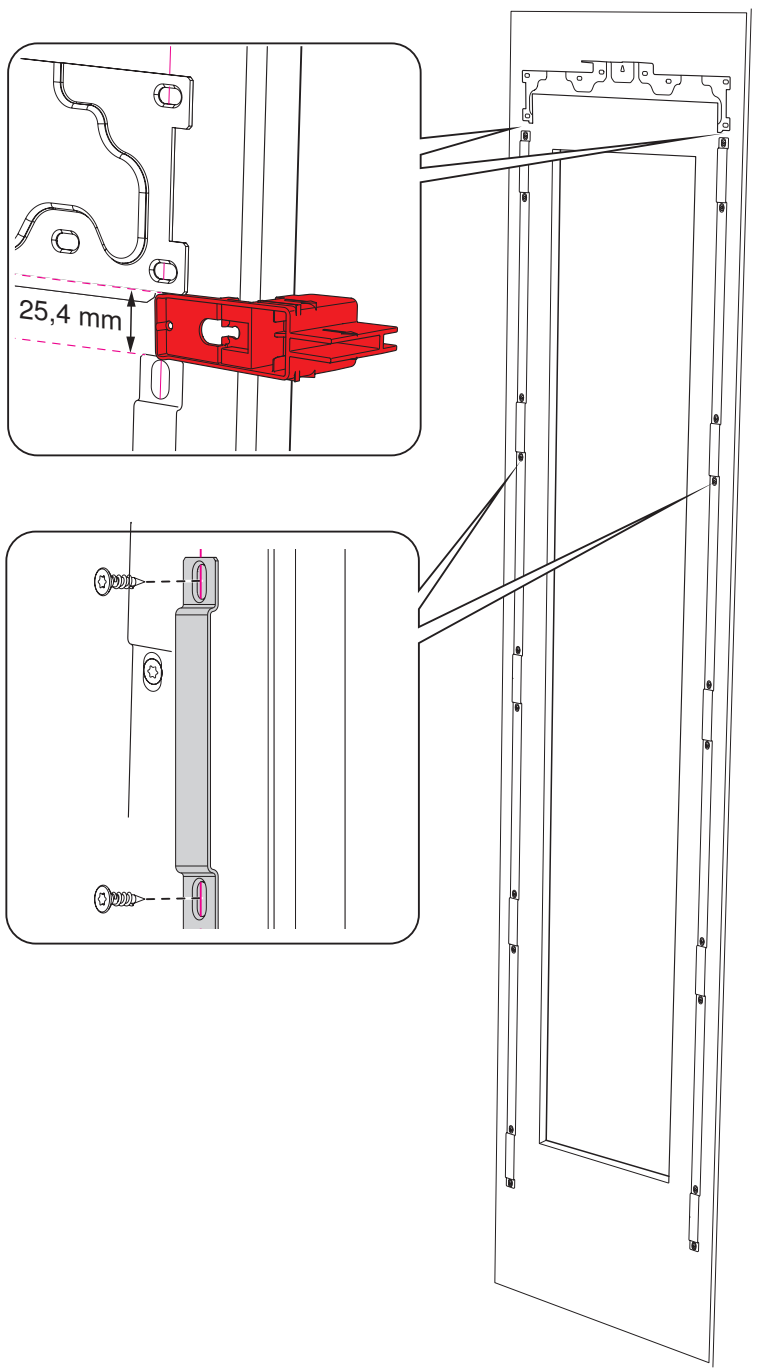


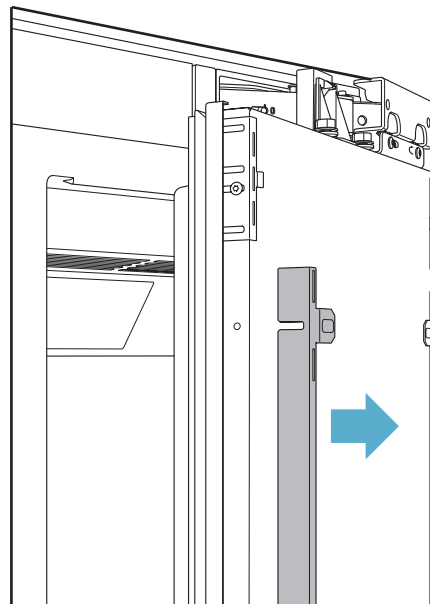
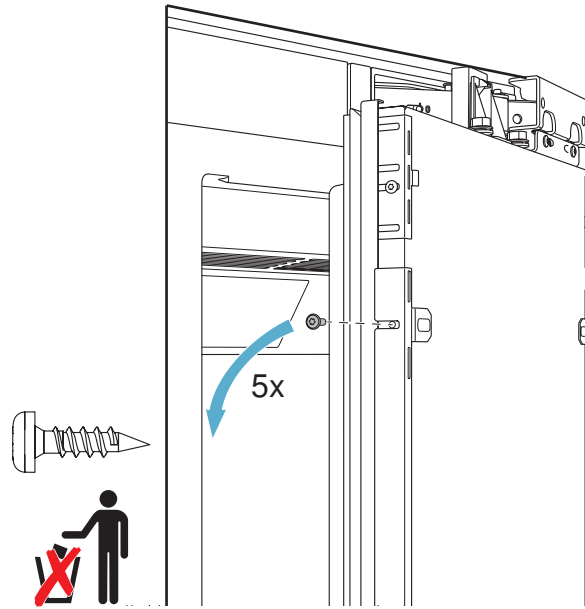
4x15			18" (457 mm) min. 6x
			24" (610 mm) min. 6x



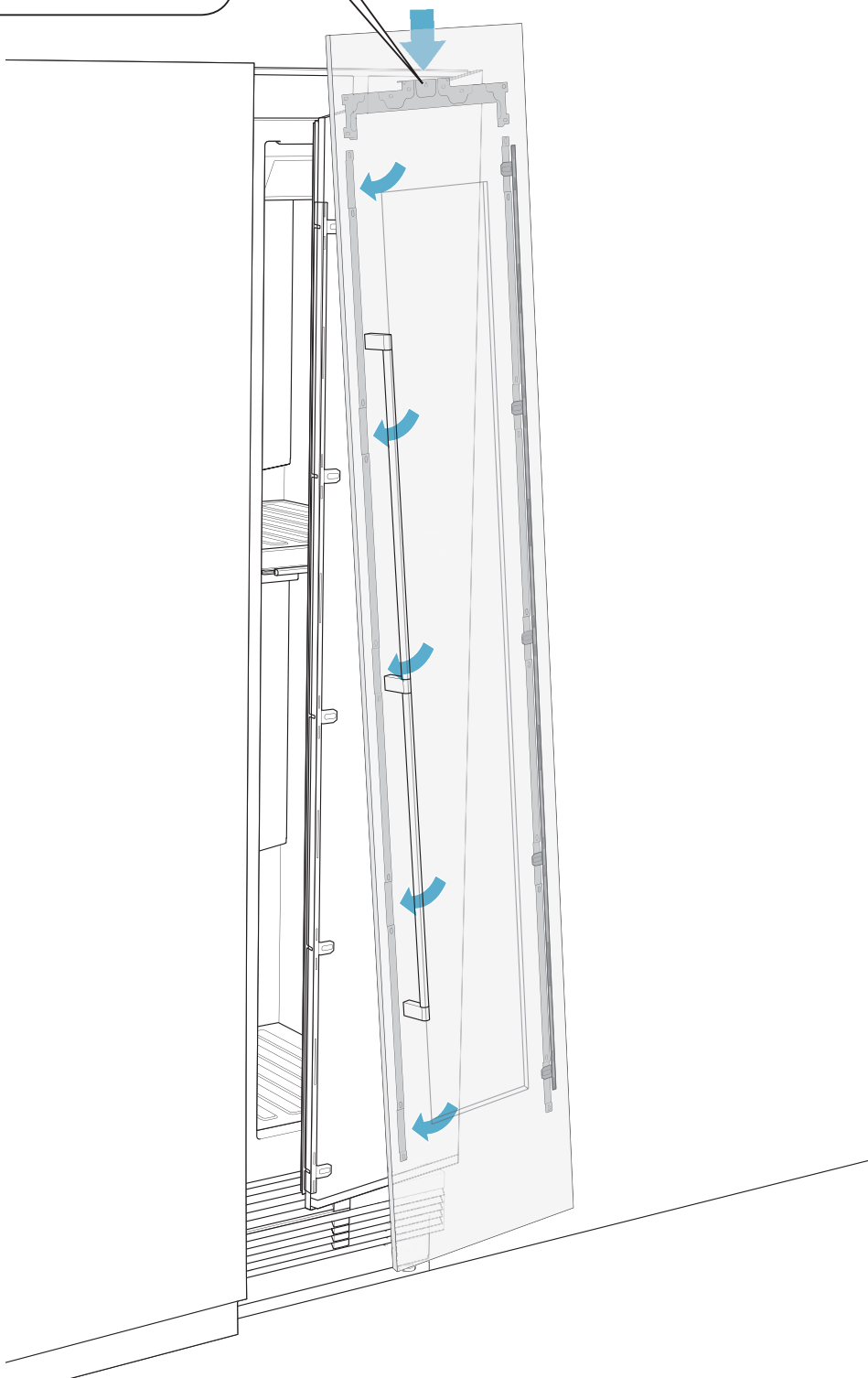
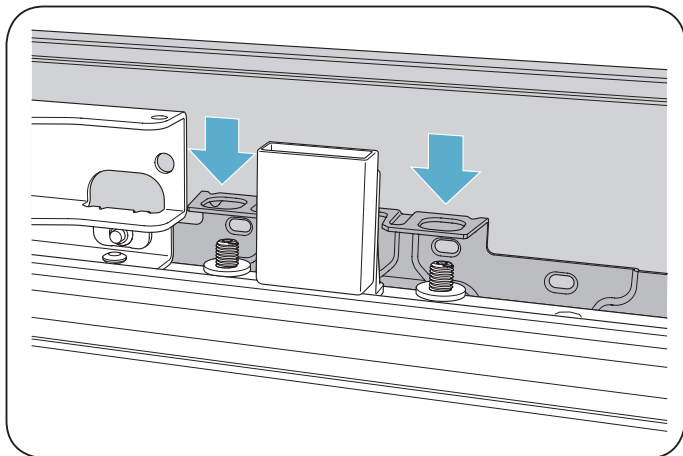
- A
- B
- C
- D

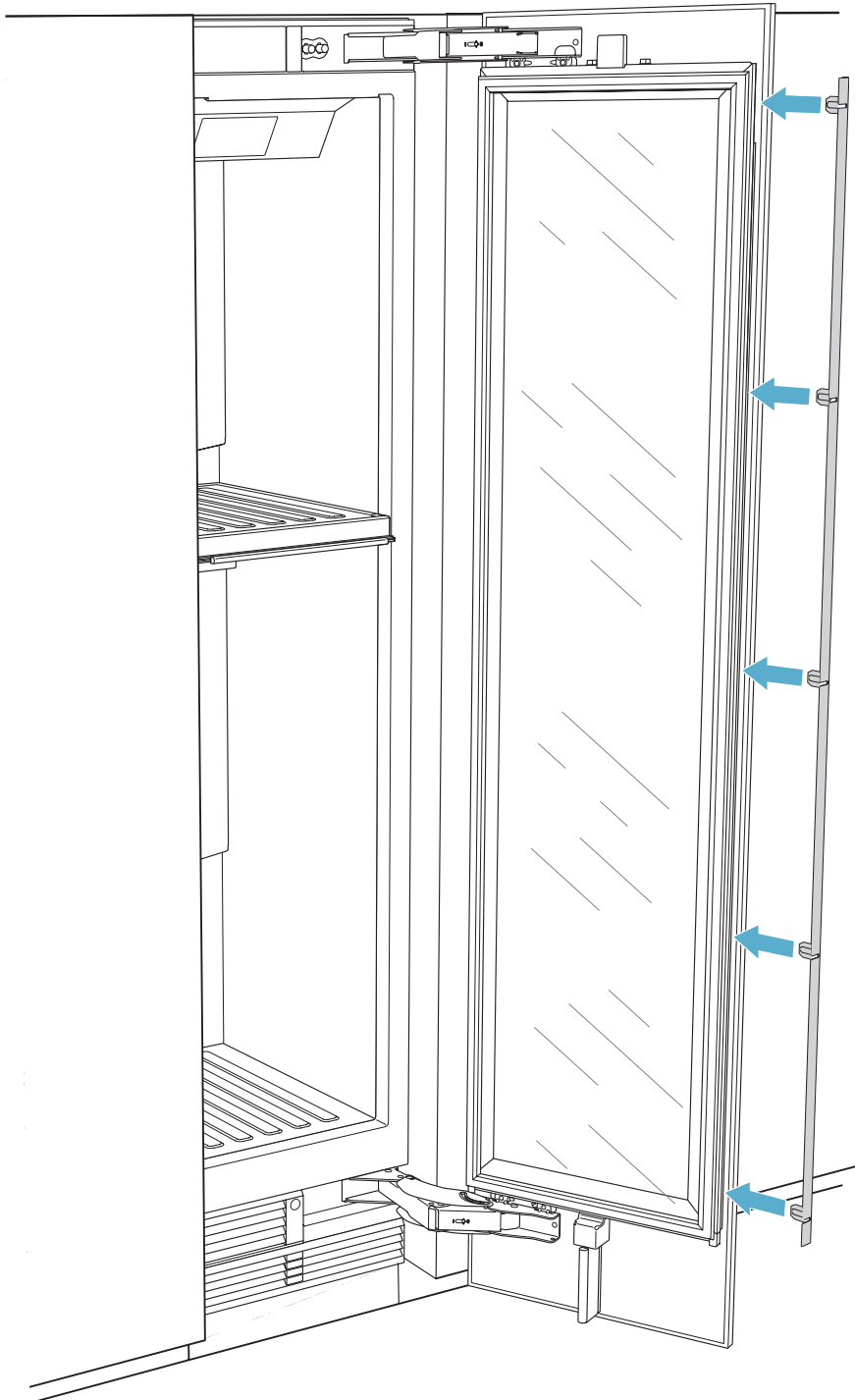
4x15			20x
------	---	---	-----



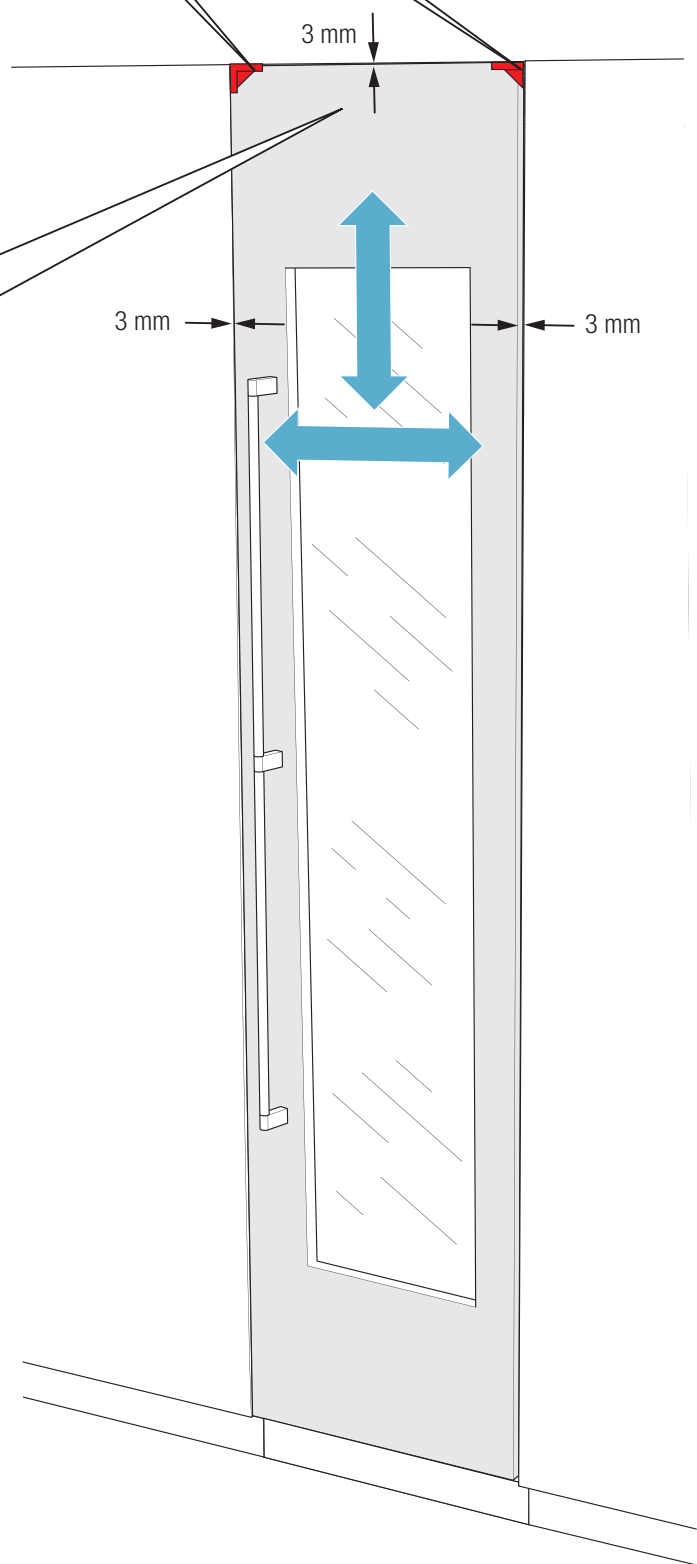
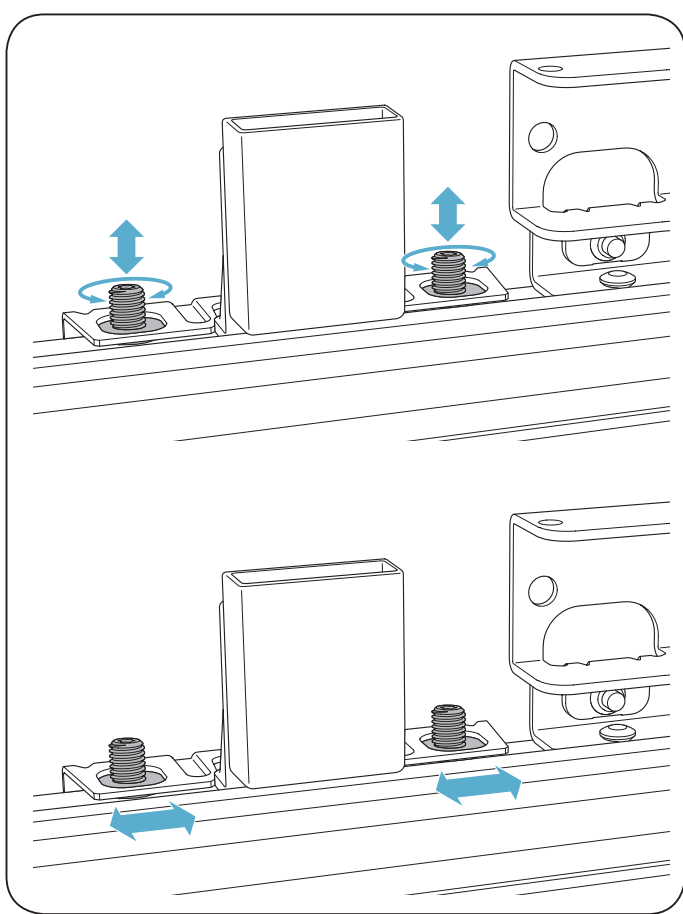
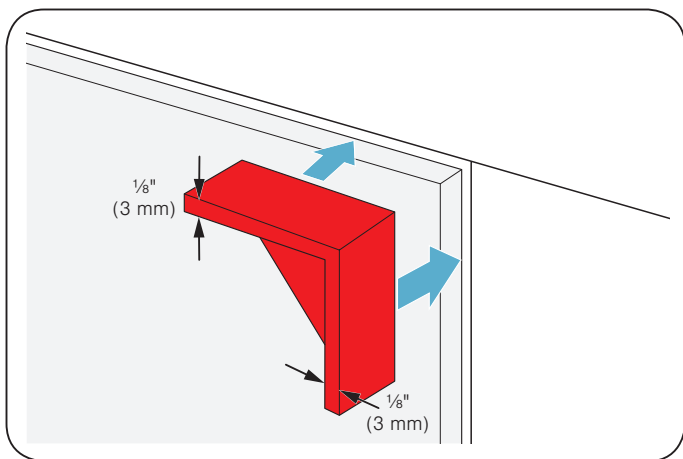


- A
- B
- C
- D

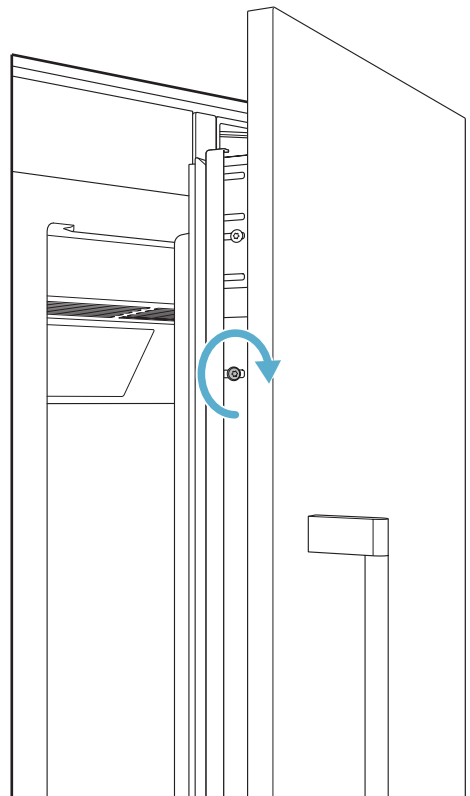
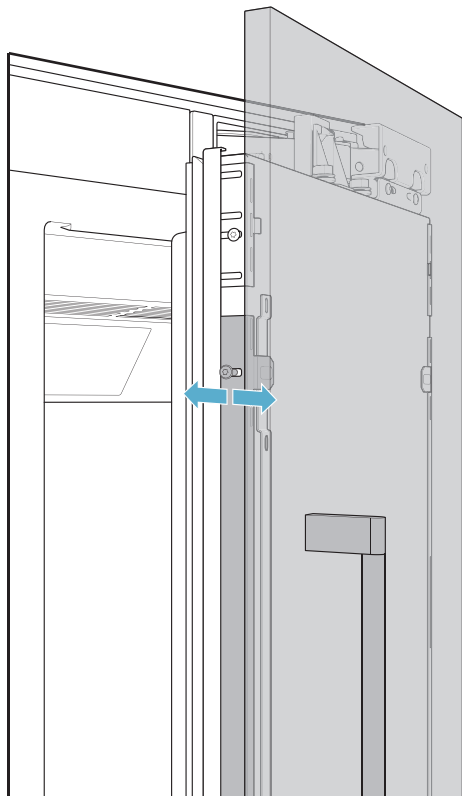
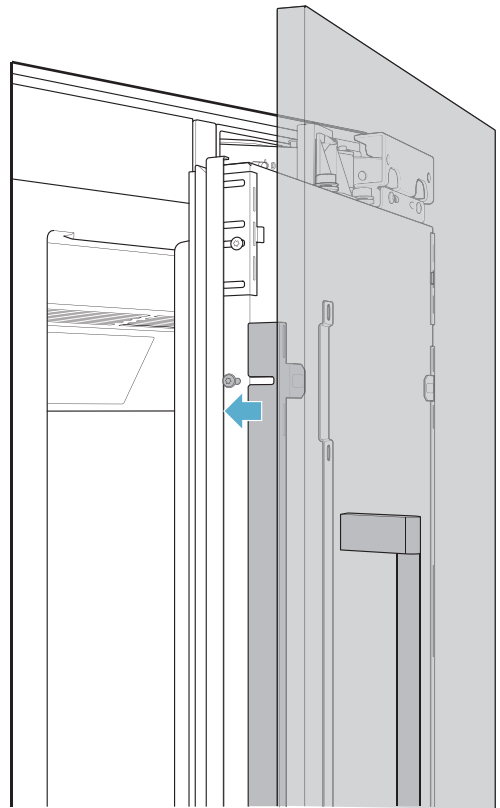
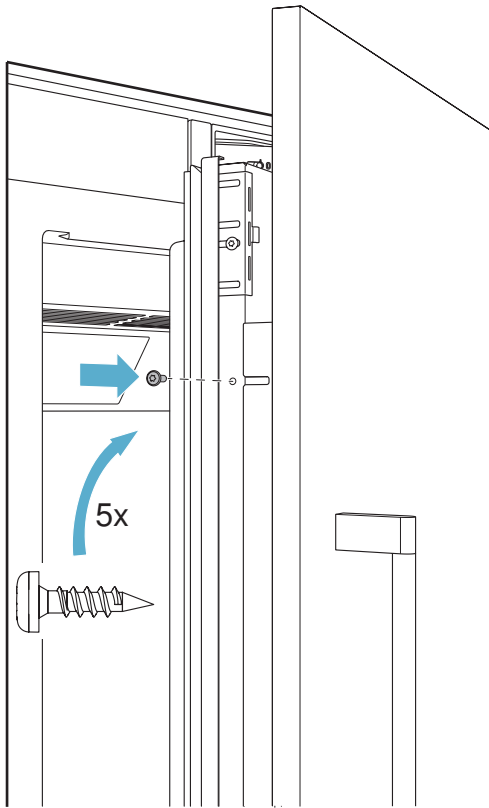




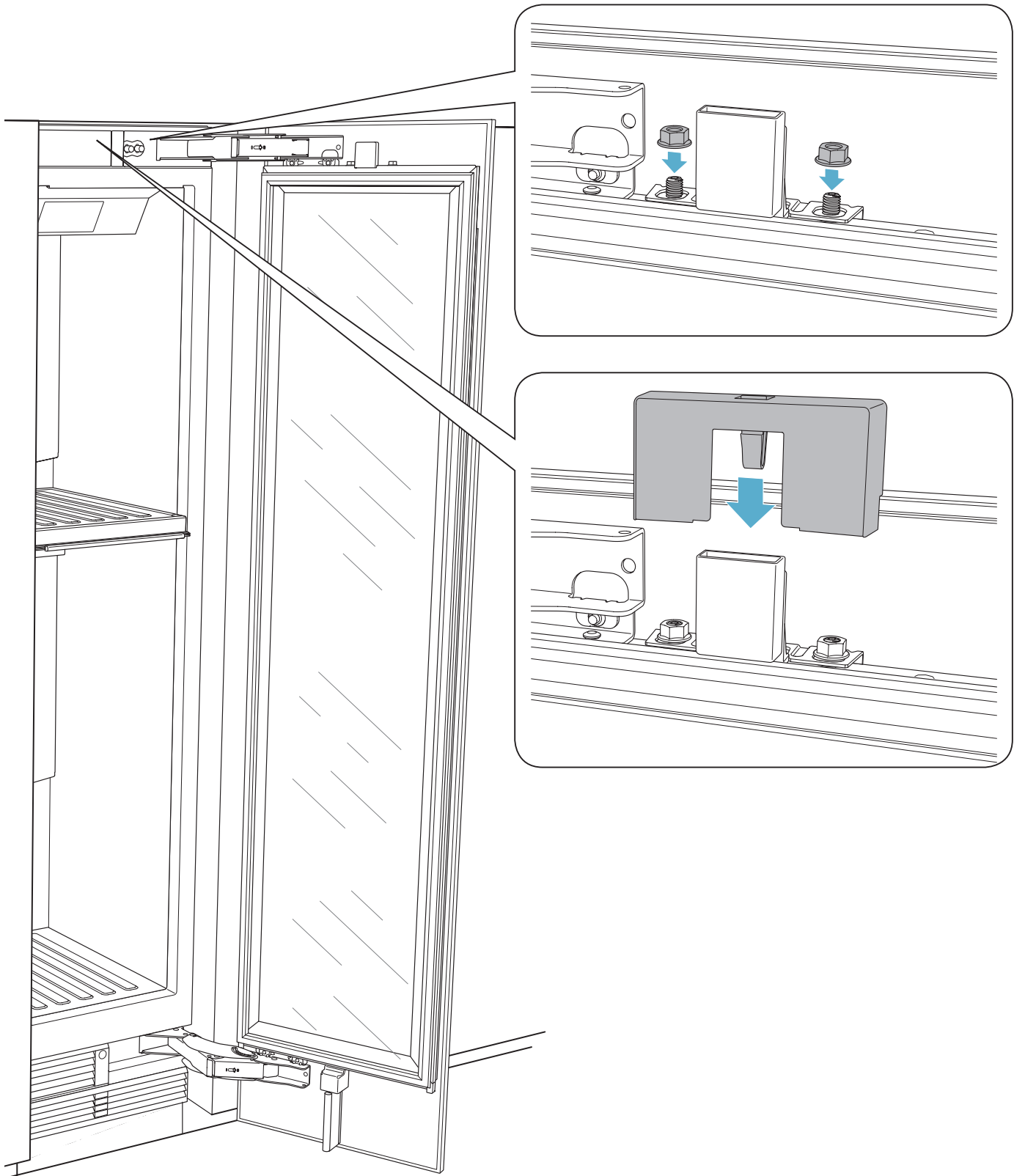
- A
- B
- C
- D

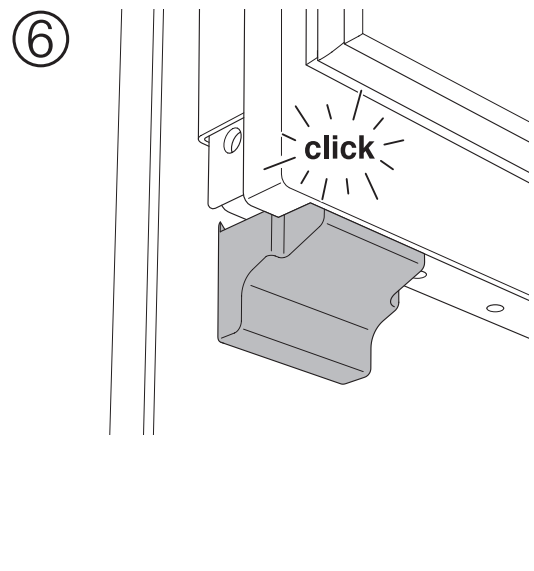
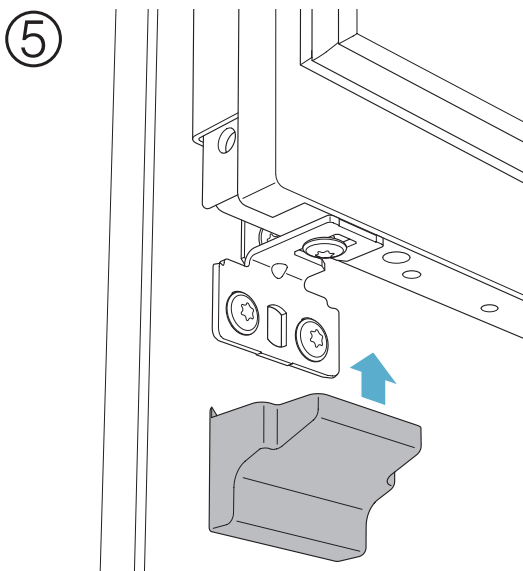
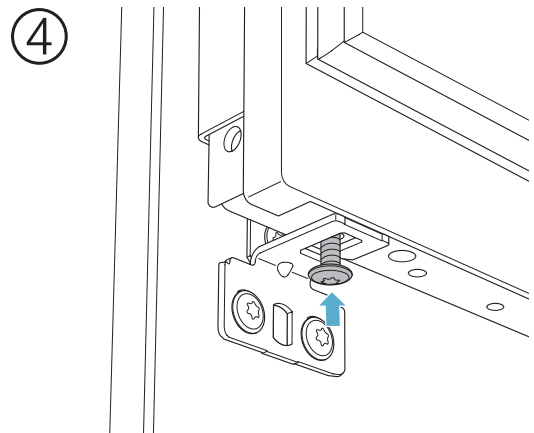
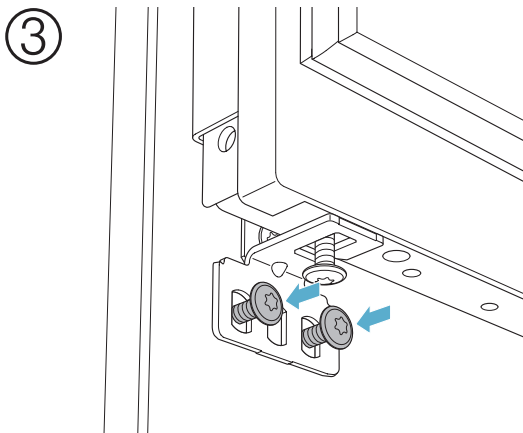
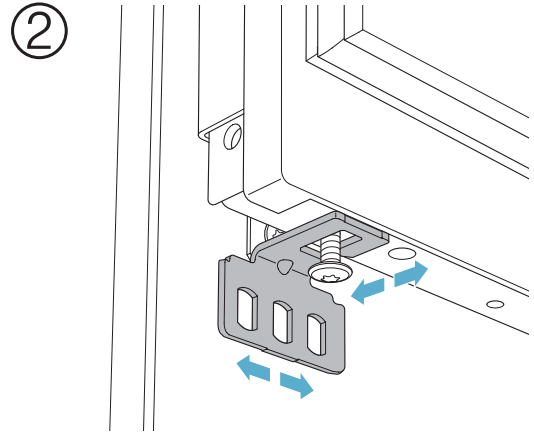
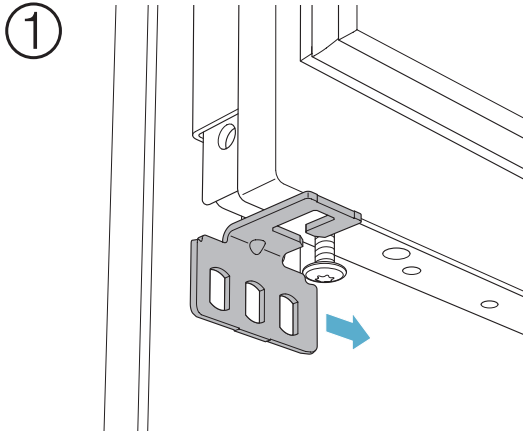
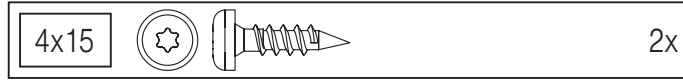
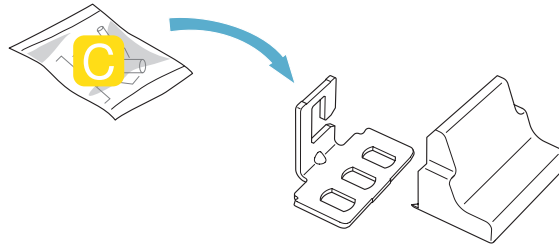
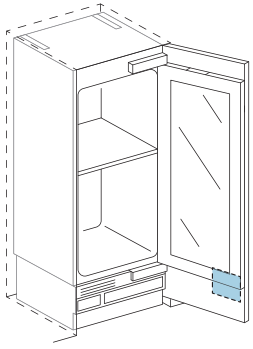




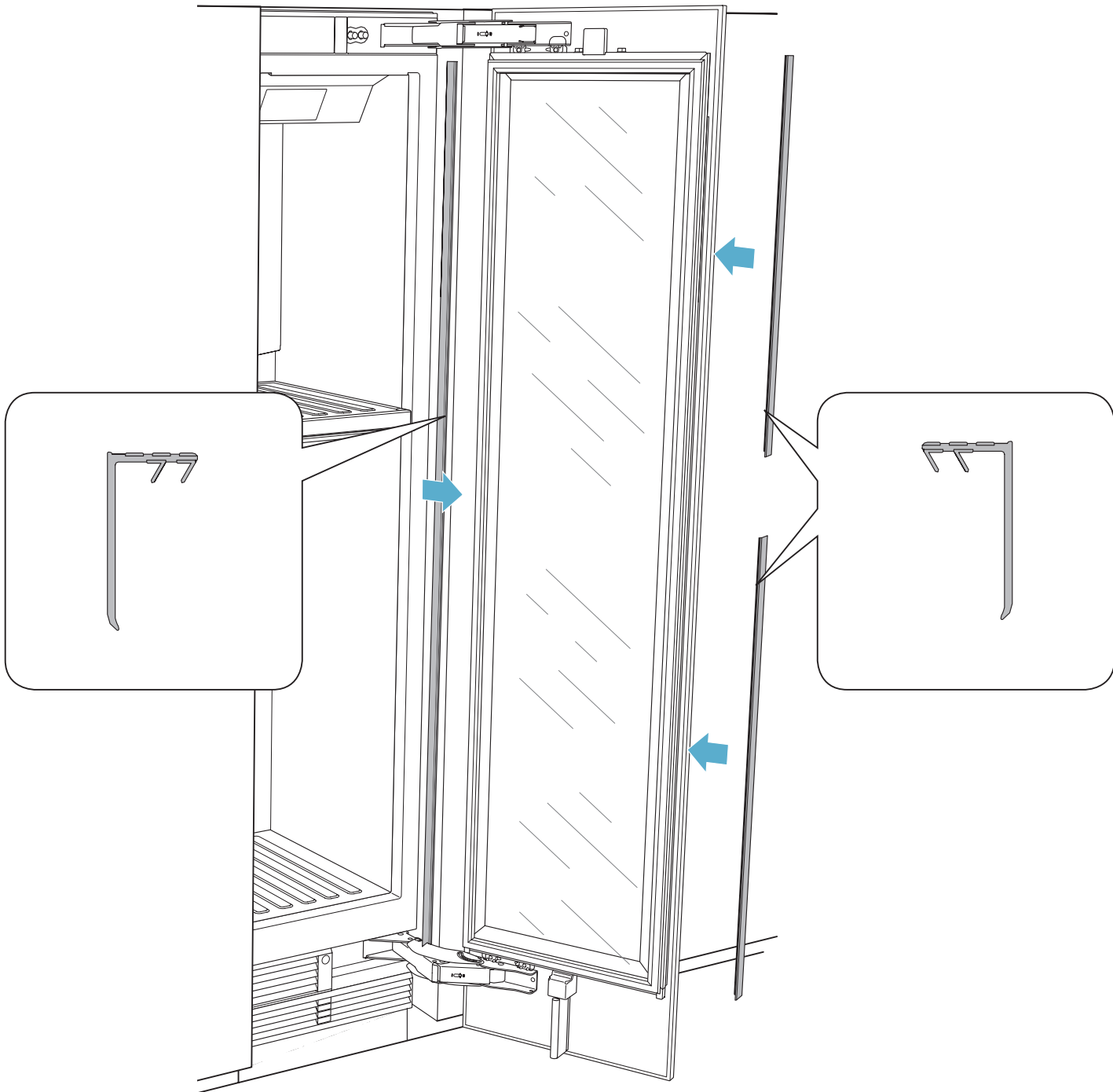
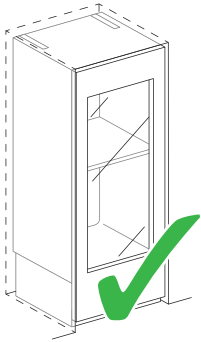


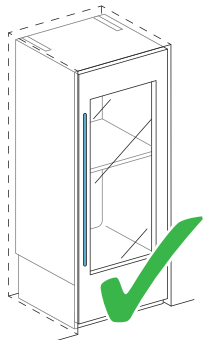
- A
- B
- C
- D



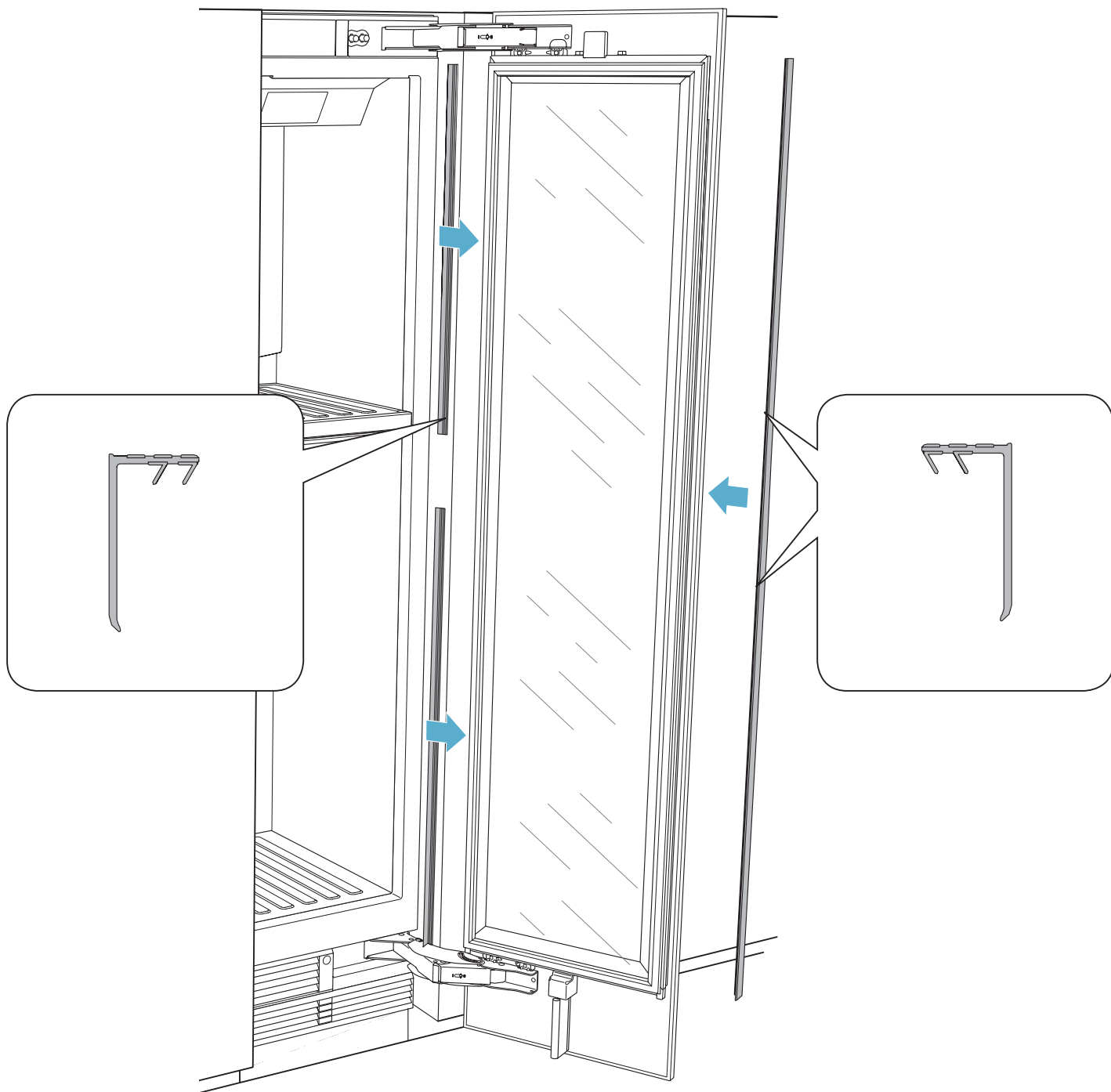


- A
- B
- C
- D

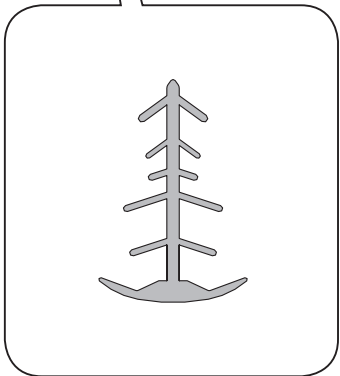
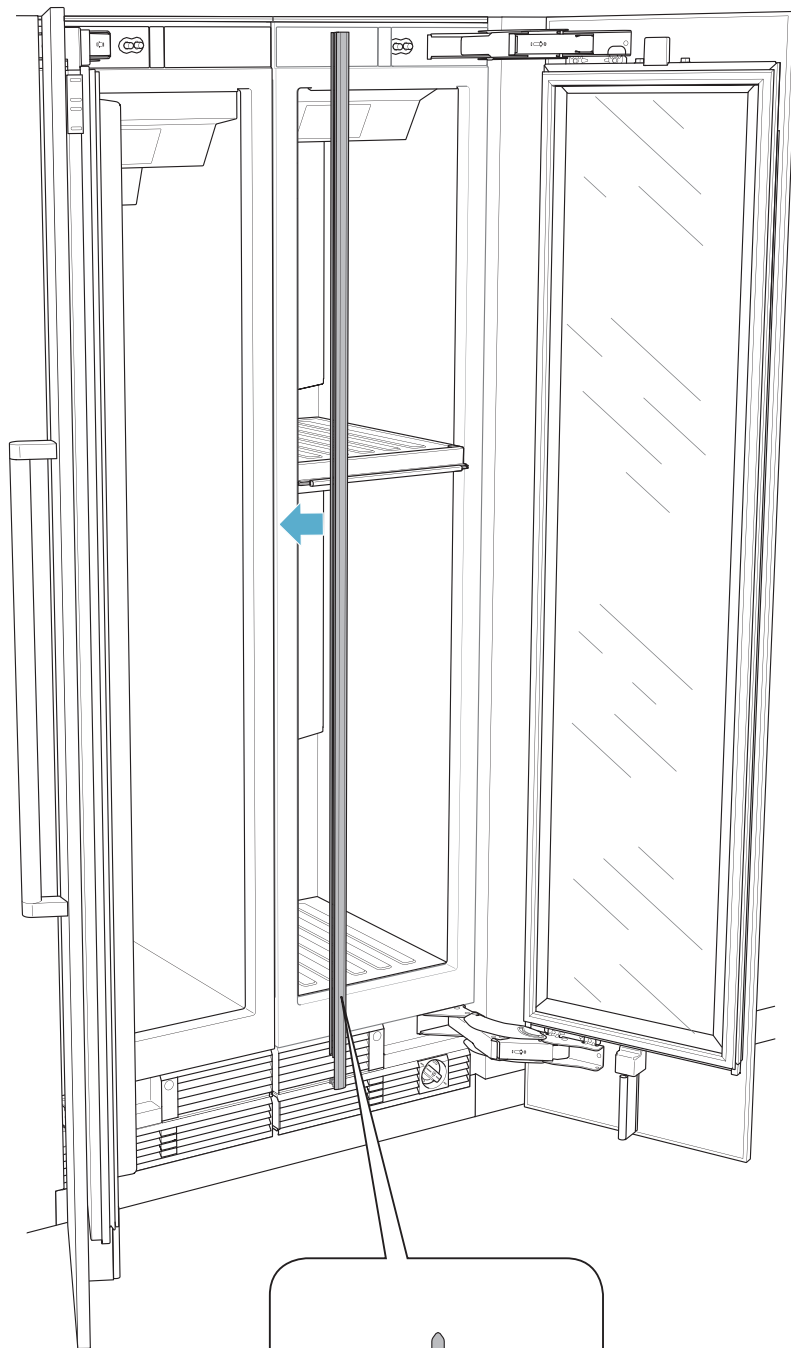


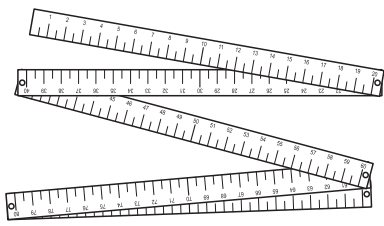
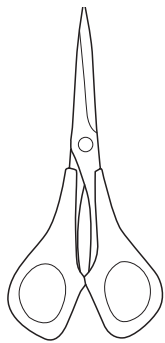
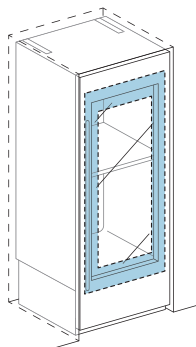


- A
- B
- C
- D

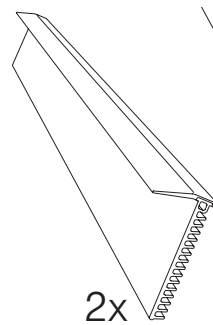


- A
- B
- C
- D

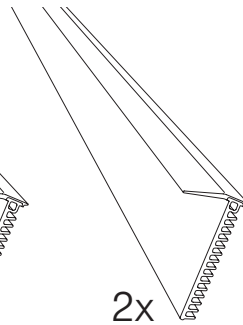




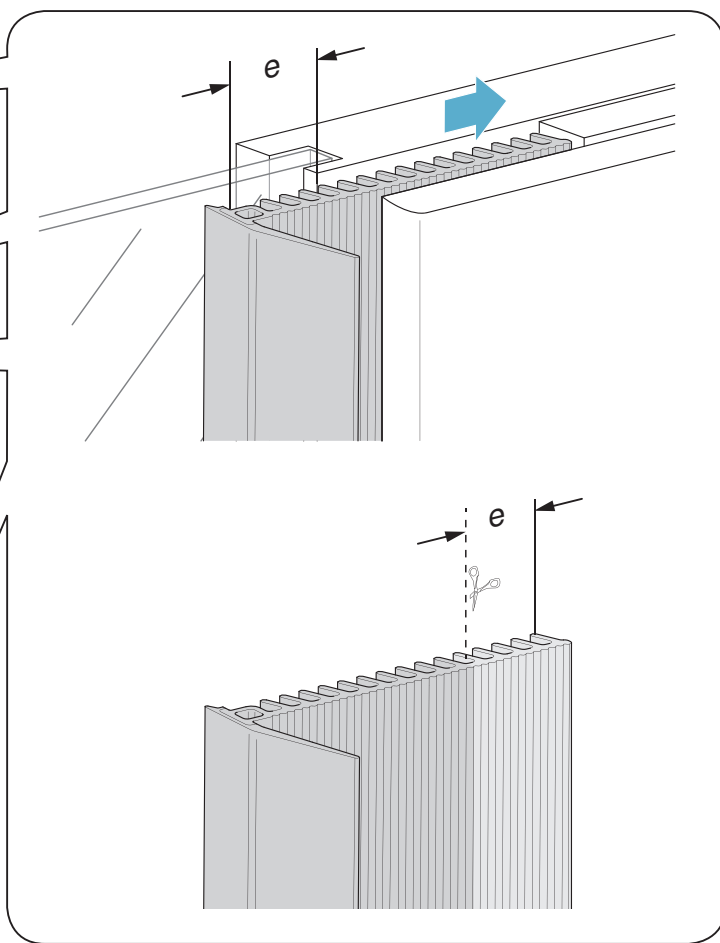
4x



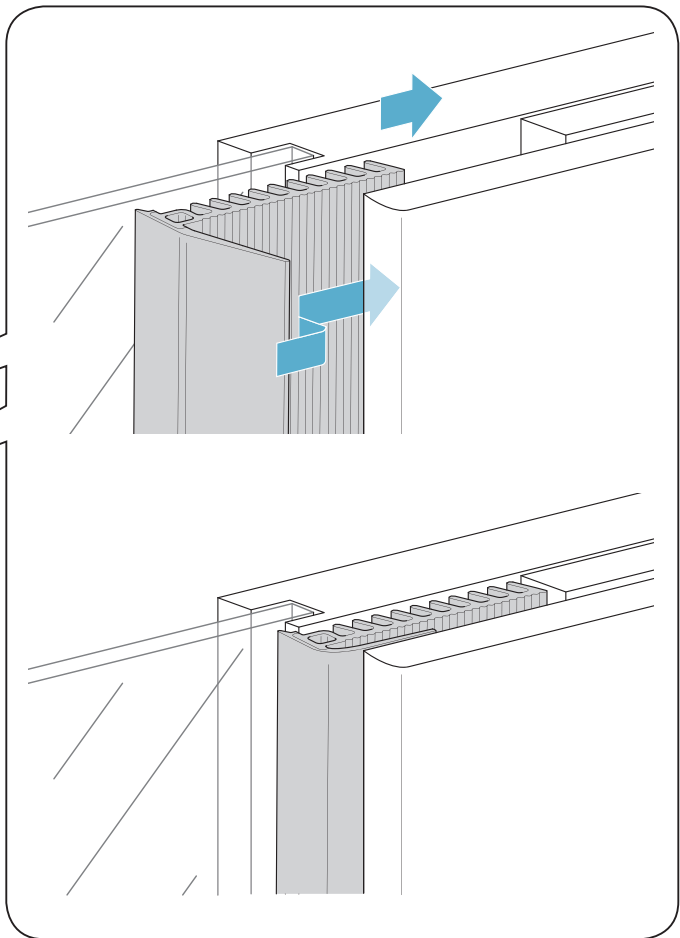
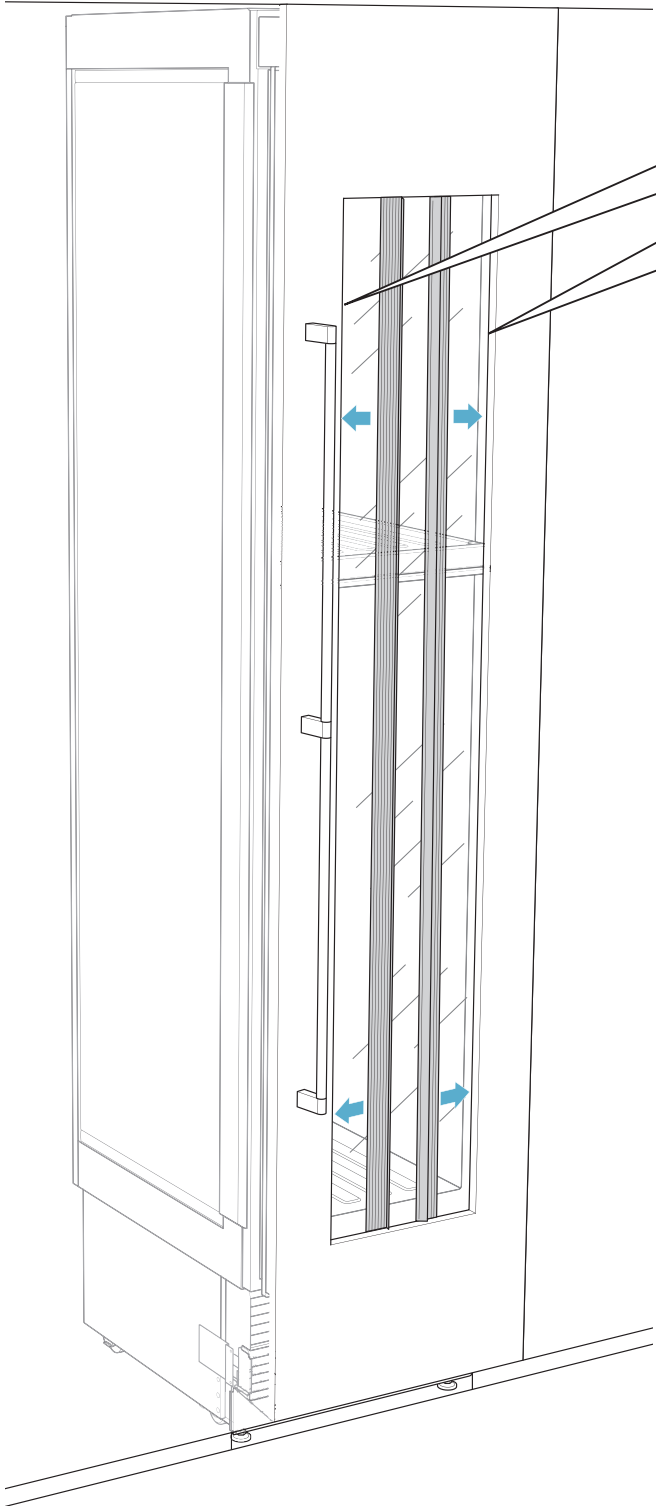
2x



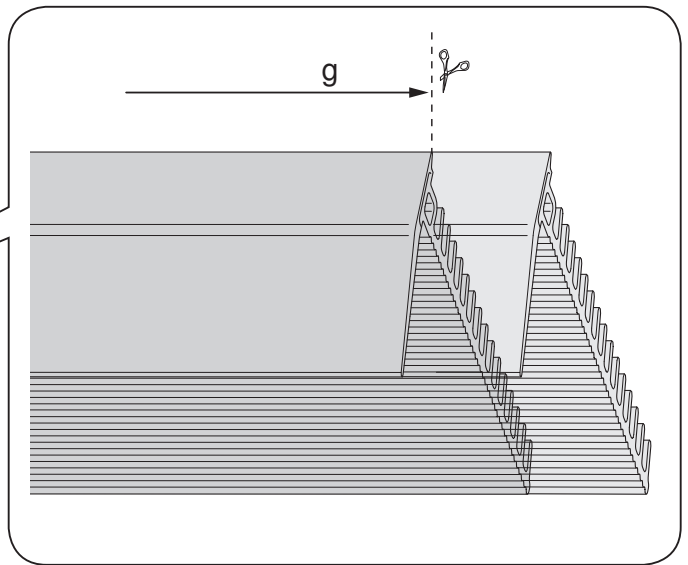
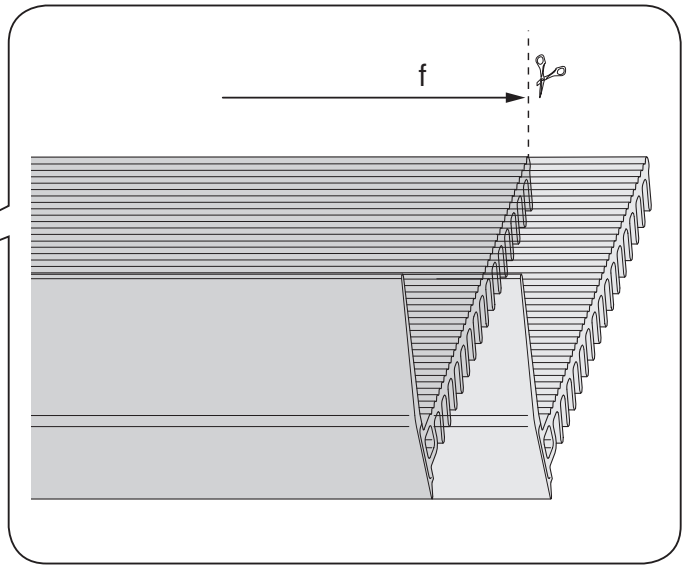
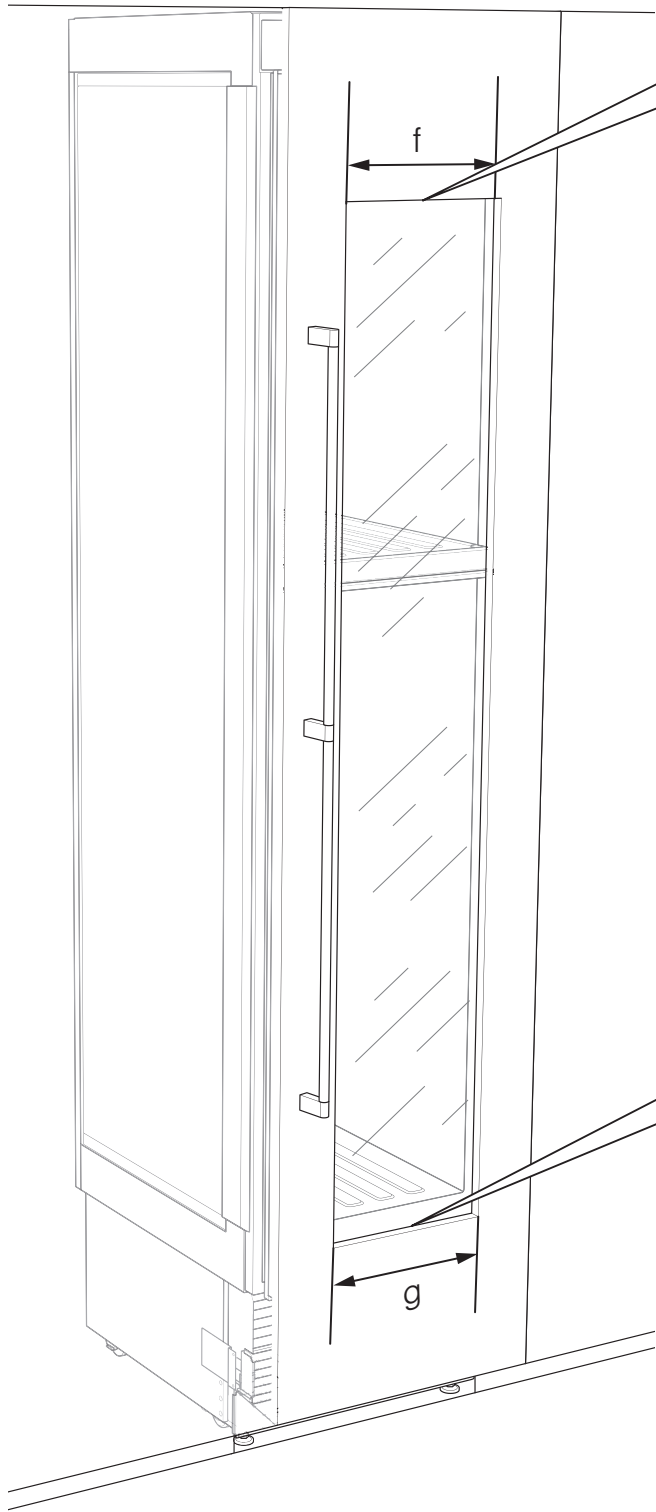
2x



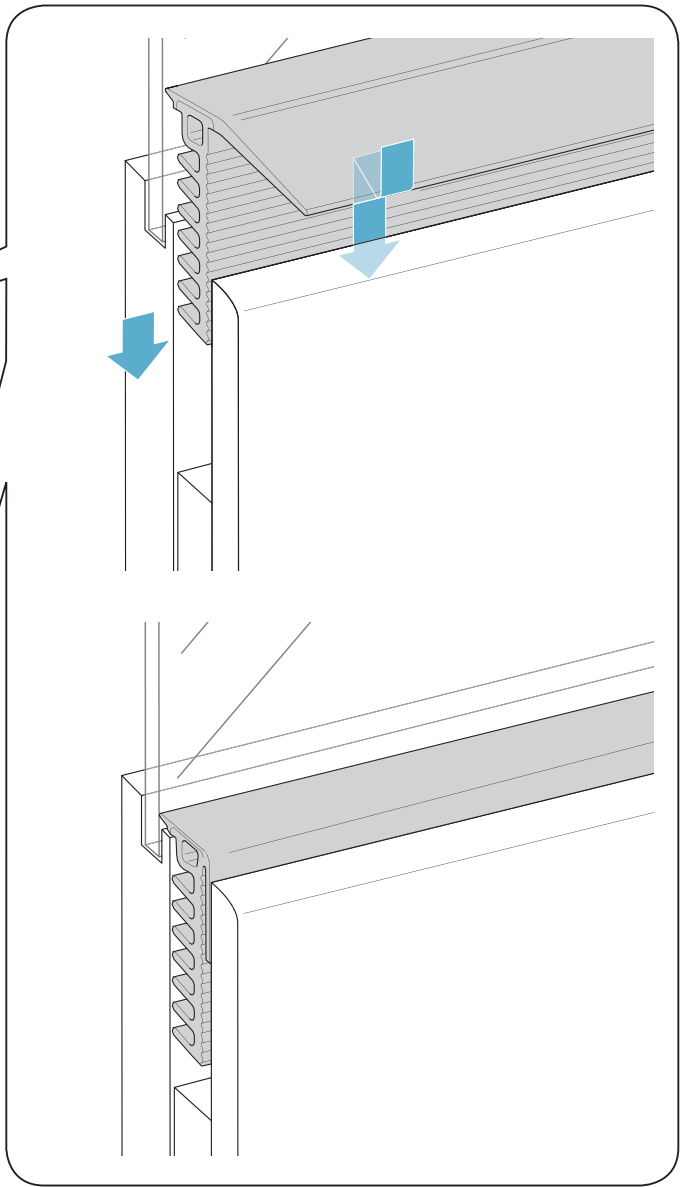
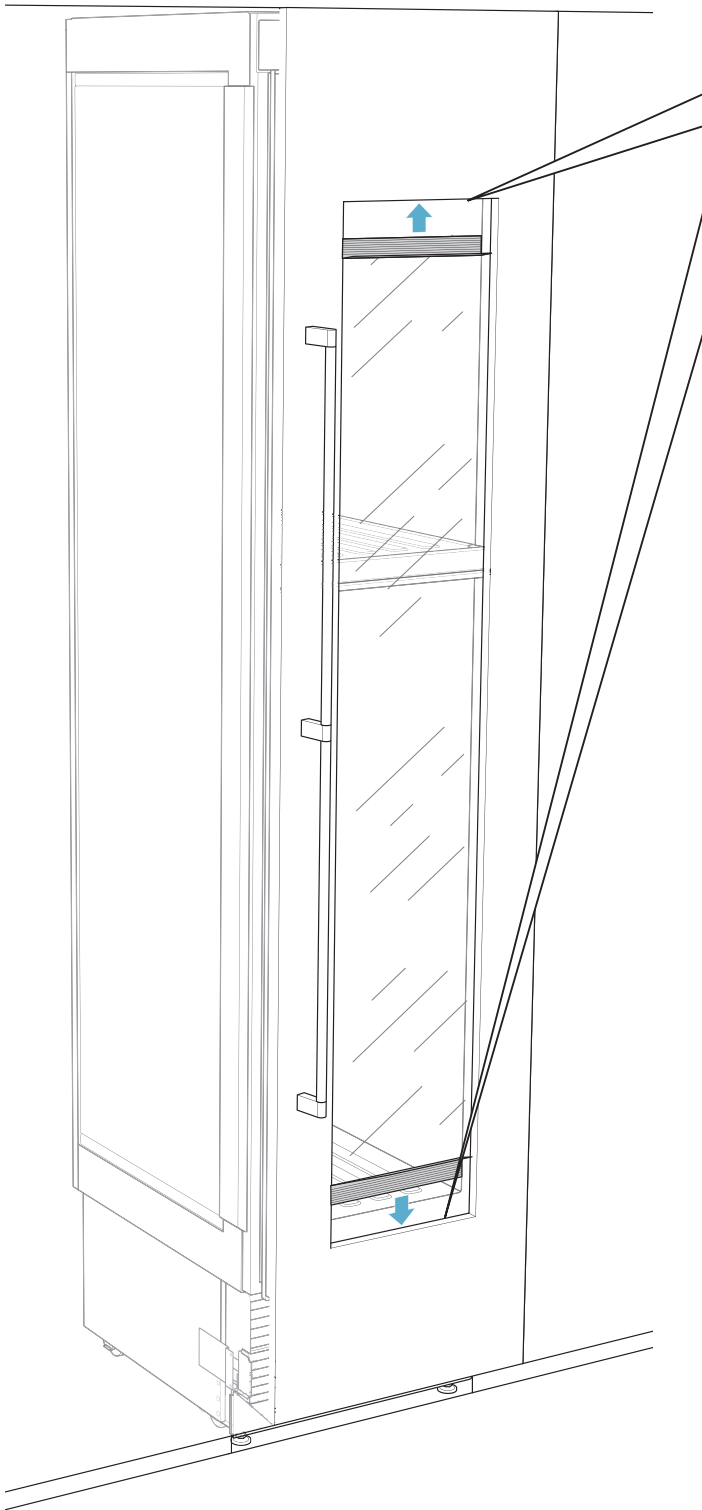
- A
- B
- C
- D

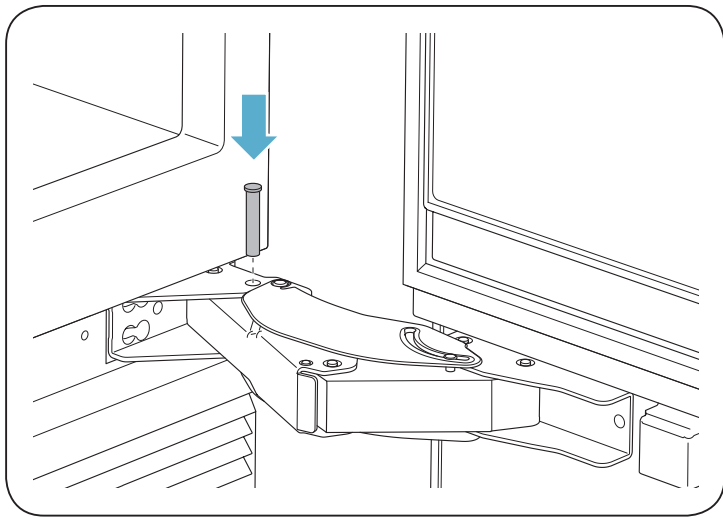
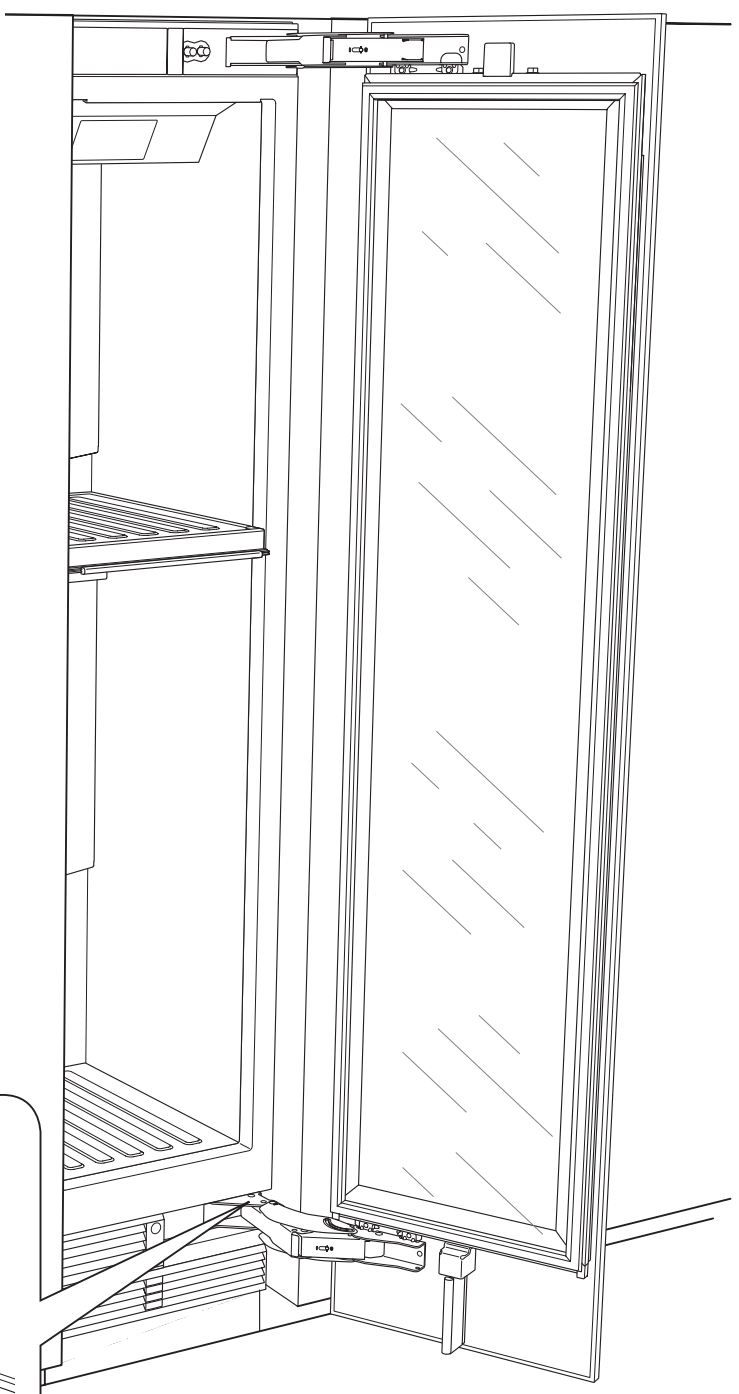
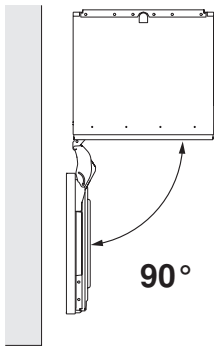
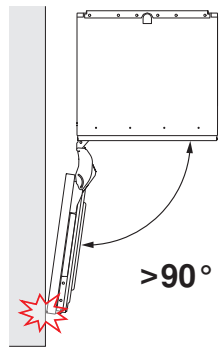


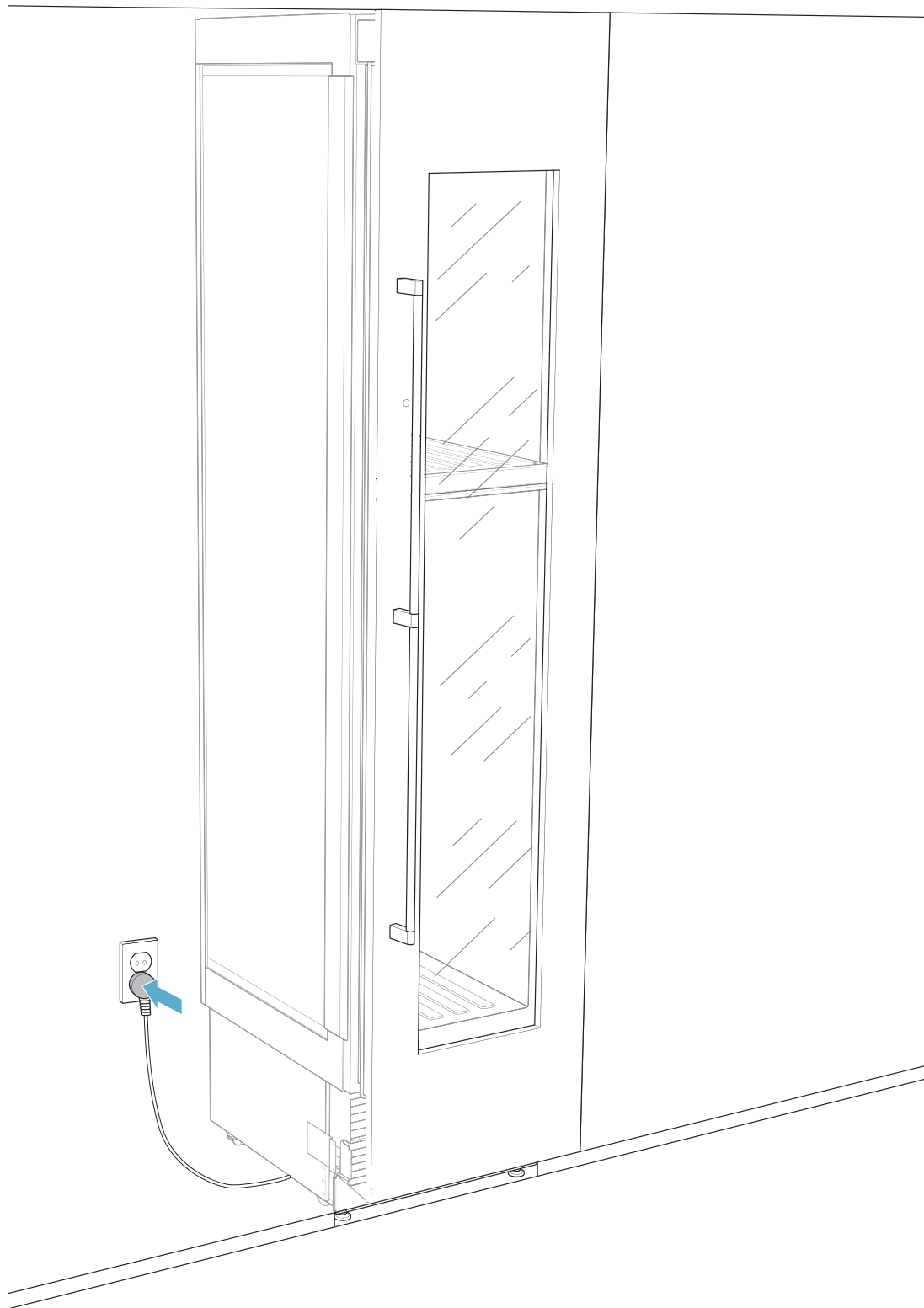




- A
- B
- C
- D









**Gaggenau Hausgeräte GmbH**  
Carl-Wery-Straße 34  
D-81739 München  
[www.gaggenau.com](http://www.gaggenau.com)

8001175805 (9910)  
xx

**GAGGENAU**

