



RW222262



RA050220:
Carbon airfilter

RA221211:
Stainless steel door frame for RW 222

RA425910:
Vario SS handle 810 mm

Built-in wine cooler 200 series
122 x 56 cm
RW222262

2 independently controllable climate zones
Consistent temperatures with exact control from
+5 °C to +20 °C
Humidity control
Extendable bottle trays in beech and aluminium
Presentation light option
Low-vibration operation
Number of standard wine bottles: 48

Handling

Electronic temperature control with digital
display.
Touch keys.
Presentation light option in each climate zone,
dimmable.
Interior LED lighting (3000 K) with automatic
dimming with opening and closing of door.

Technical features

Dynamic cold air distribution.
Automatic defrosting with defrost water
evaporation.
Cushioned door closing system integrated in
door hinge.
1 activated charcoal air filter for both climate
zones.
UV-protection.
Open-door and malfunction alarm.
Child lock.

Features

Capacity 48 bottles (based on 0.75 l standard
bottles).
6 bottle trays, 4 of which are extendable.
Storage of magnum bottles possible.
LED lighting.
Total volume 158 litres.

Consumption data

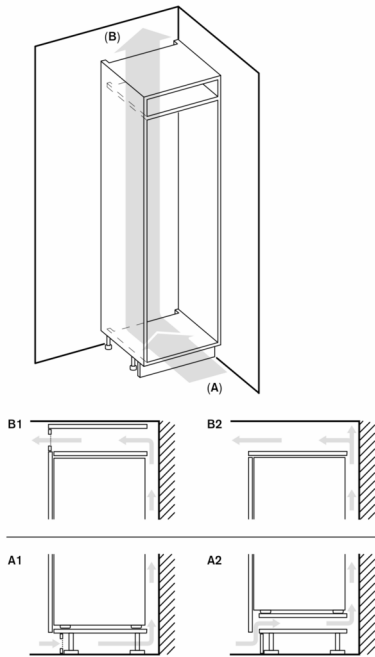
Energy efficiency class G at a range of energy
efficiency classes from A to G.
Energy consumption 158 kWh/year.
Noise level 32 dB (A) re 1 pW.

Planning notes

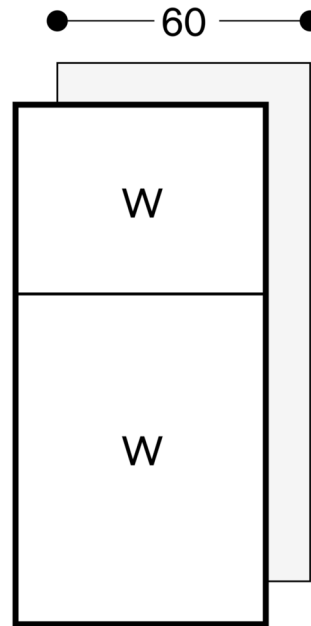
Flat hinge.
Door hinge right, reversible.
Height-adjustable feet.
Door opening angle of 115°, fixable at 90°.
Max. door panel weight 20 kg.
Door panel thickness min. 16 mm / max. 22 mm.
The mains socket needs to be planned outside
the built-in niche.
For a side-by-side installation every appliance
must be planned in its own niche.
The wine climate cabinet can be combined with
a second wine climate cabinet or a freezer (RF
287 or RF 282) only. If combining the wine
climate cabinet with other cooling appliances
(RC, RT, RB), a clearance of min. 150 mm is to
be kept between the appliances to avoid
condensation.
No transport/operation above 1500 m sea level.

Connection

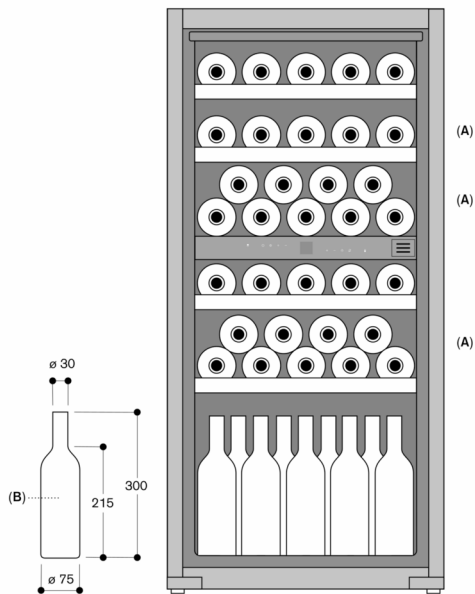
Total connected load: 0.130 KW.
Connecting cable 2.0 m with plug.



A: Air inlet $\geq 200 \text{ cm}^2$; ventilation options A1 or A2
 B: Air outlet $\geq 200 \text{ cm}^2$; ventilation options B1 or B2



Bottle storage



A: Suitable area for storage of magnum bottles in standard tray configuration
 B: 0.75 litres
 Measurements in mm

