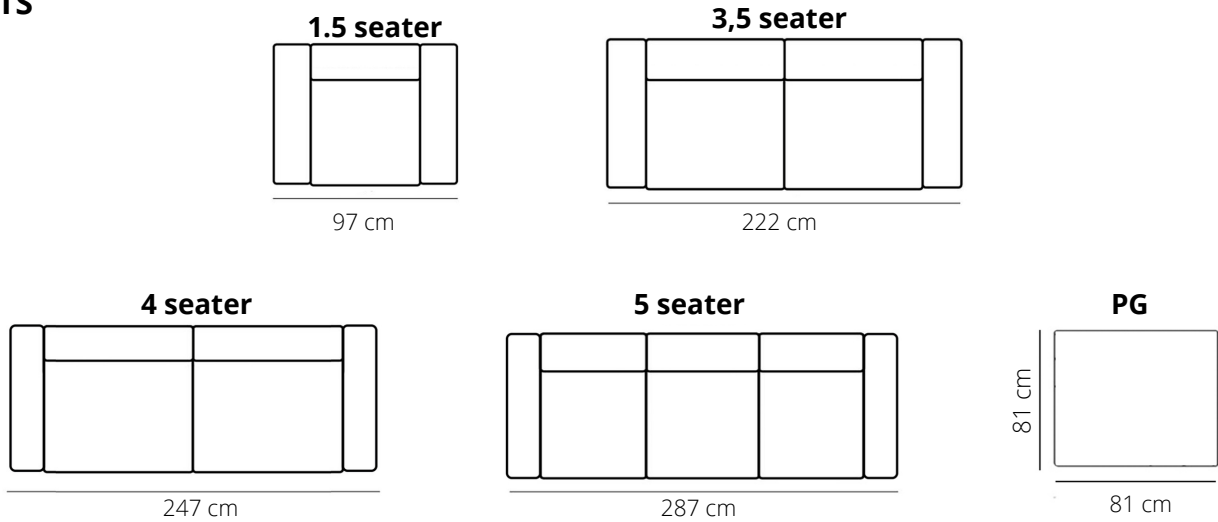


SAN ANTONIO



ELEMENTS



STITCHING



double needle stitching

LEGS

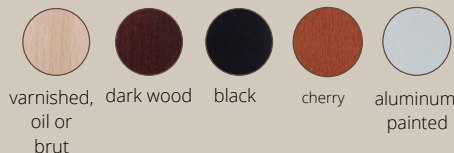


RU

chrome or black



KA



HEIGHT: 78 cm
DEPTH: 103 cm
SEAT DEPTH: 67 cm
SEAT HEIGHT: 41 cm
ARM HEIGHT: 68 cm

PRODUCT INFO

FRAME



beechwood



chipboard

FILLING

SUSPENSION

BACK



fibre wool



elastic belts

SEAT



foam HR 43



fibre wool no-sag springs



This sofa has loose seat and back cushions

Caution: with the use of different moulds, the stitching of models in fabrics can be different from the stitching of the same models in leather.
All sizes are approximate, technical and stylistic changes and typing errors are reserved.