



CG261210DE

WP400001:
Wok pan

Gas cooktop 200 series
60 cm, Natural gas 20 mbar
CG261210DE

Mechanical power level regulation for 9 power levels, with exact setting and reproduction of flame size
Up to 9.75 KW with burners in a diamond-shaped arrangement

Cooking zones

1 multi-ring wok burner (1550 W – 4000 W).
1 high output burner (500 W - 3000 W), suitable for pots up to max. ø 26 cm.
1 standard burner (290 W – 1750 W), suitable for pots up to max. ø 20 cm.
1 economy burner (330 W – 1000 W), suitable for pots up to max. ø 16 cm.

Handling

Control knobs with cooking zone and output level markings for 9 levels.
One-handed operation.
Electric ignition.

Features

Two-part cast iron pan support with continuous pot surface.
Enamelled burner cover.

Safety

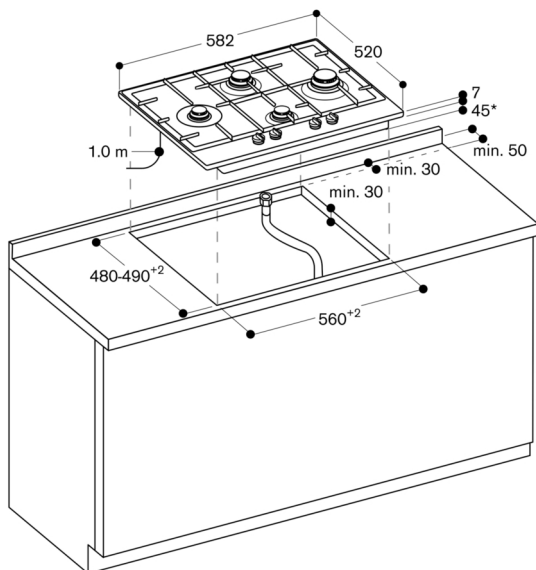
Thermoelectric safety pilot.

Planning notes

The cooktop can only be surface-mounted.
Special nozzles can be ordered as spare parts.
Installation in a 56 cm standard niche.
Air intake from above.
Intermediate shelf is recommended.
Allow for a gas connection when planning drawer depth.
Appliance must be fixed from underneath.
A minimum clearance of at least 100 mm from adjacent heat-sensitive furniture or contact surfaces must be observed or thermal insulation fitted.
The minimum distance between the cooktop surface and a cabinet above, out of combustible material, needs to be 65 cm.
The minimum distance to a ventilation above is shown at the planning hints for the individual ventilation product.
Appliance weight: approx. 12 kg.

Connection

Total connected load gas 9.75 KW.
Connecting cable 1.00 m without plug.



* 56 mm in the area of the gas connection at the back right